

LED RetroFit DIMMABLE

2'x2' & 2'x4'



Designed Specifically for Quick and Easy Installation.

LED RetroFit Dimmable is the first fluorescent troffer retrofit that installs in as little as 3 minutes. Powerful rare Earth magnets allow LED RetroFit Dimmable to attach magnetically allowing hands-free installation. Once installed, LED RetroFit Dimmable saves up to 60% of energy and lasts for up to 20 years. Now in less than the time needed to change a ballast, you can convert your existing fixture into energy-saving LED. Help protect the environment and lower your operating costs for years to come.

Benefits

- 0-10V DC Dimming
- Installs in minutes
- No need to break into the ceiling plenum
- 85,000-hour rated life; 7-year warranty
- Shatterproof

Markets & Applications

- Hospitals
- Schools
- Offices
- Retail

LITETRONICS®

6969 W. 73rd St.
Bedford Park, IL 60638
www.Litetronics.com

LED RetroFit

DIMMABLE

2'x2' & 2'x4'

Technical Product Information

0-10V Dimmer Compatible

Average Rated Life: 85,000H*

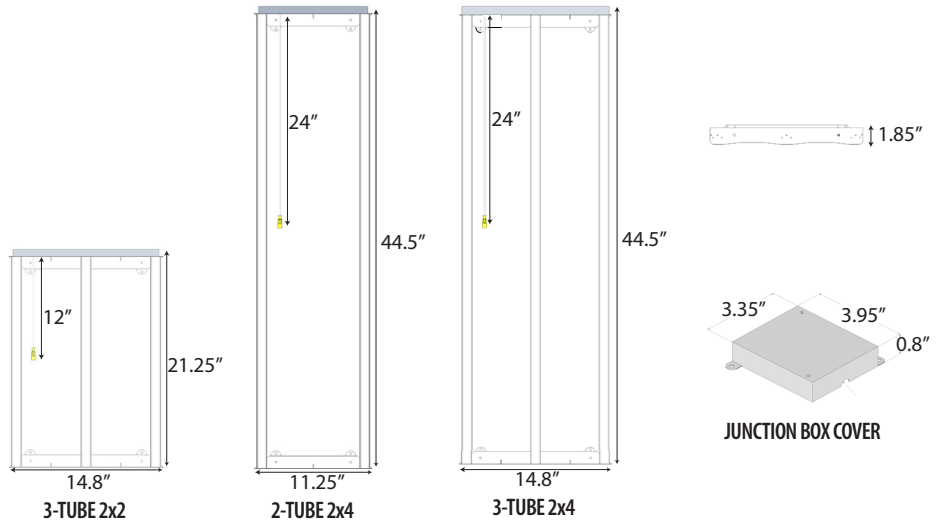
Line Frequency: 60Hz

CRI: 83

Power Factor: ≥0.95

Operating Temp: -5° to 95°F

Available by Special Order: 3000K



Compatible Dimmers

Available online at: Litetronics.com/dimmers

Part Number Matrix

XX (product family)	XX (wattage)	X (voltage)	X (connector)	XX (shape)	XX (color temperature)	XX (dimnable)
RF - LED Retrofit	32 - 32 watts 50 - 50 watts	U - 120-277V	Q - QuickConnect	T2 - 2'x2' Troffer T4 - 2'x4' Troffer	35 - 3500K 40 - 4000K 50 - 5000K	DL - 0-10V Dimmable D - 120V

Product Specifications

TYPE	WATTS	VOLTS	DESCRIPTION	ORDERING CODE	CCT (K)	RETROFIT LUMENS	LUMINAIRE LUMENS**	DIMMER TYPE	
3-TUBE 2X2	32	120-277	32W 3-2X2 LED RF QC 3500K DIM	RF32UQT235DL	3500	4,300	3,450	0-10V	
			32W 3-2X2 LED RF QC 4000K DIM	RF32UQT240DL	4000				
			32W 3-2X2 LED RF QC 5000K DIM	RF32UQT250DL	5000				
2-TUBE, 2X4	32		32W 2-2X4 LED RF QC 3500K DIM	RF32UQT435DL	3500	4,150	3,450		
			32W 2-2X4 LED RF QC 4000K DIM	RF32UQT440DL	4000				
			32W 2-2X4 LED RF QC 5000K DIM	RF32UQT450DL	5000				
3-TUBE, 2X4	50		50W 3-2X4 LED RF QC 3500K DIM	RF50UQT435DL	3500	6,500	5,400		
			50W 3-2X4 LED RF QC 4000K DIM	RF50UQT440DL	4000				
			50W 3-2X4 LED RF QC 5000K DIM	RF50UQT450DL	5000				
3-TUBE, 2X4	50		50W 3-2X4 LED RF QC 3500K DIM	RF50AQT435D	3500	6,500	5,400		120V
			50W 3-2X4 LED RF QC 4000K DIM	RF50AQT440D	4000				
			50W 3-2X4 LED RF QC 5000K DIM	RF50AQT450D	5000				

What's included in the box with LED RetroFit:

Magnetic Junction Box • Luminaire Disconnect Male • 4 Self-tapping Screws • 2 Labels • Installation Instructions

* 85,000 hours based on 35°C ambient room temperature

** Based on Photometric testing consistent with IES LM-79 testing; Lumens will vary based on diffuser and fixture



Pat. 8,960,951 B1



LED Retrofit

DIMMABLE

2'x2' & 2'x4' Accessories

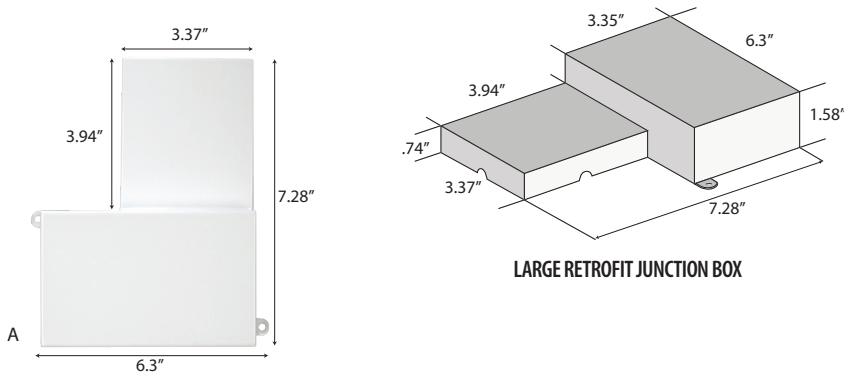


IMAGE	DESCRIPTION	ORDERING CODE	QTY/CASE	ACCESSORY USE	USED WITH LED RETROFIT SERIES
A	LARGE RETROFIT JUNCTION BOX	RFAJBL	10	PROVIDES EXTRA SPACE FOR ELECTRICAL WIRING WHEN NEEDED	RF32UQT(XXX) RF50UQT4(XX)

