

LITETRONICS®

LED High Bay PL Installation Instructions

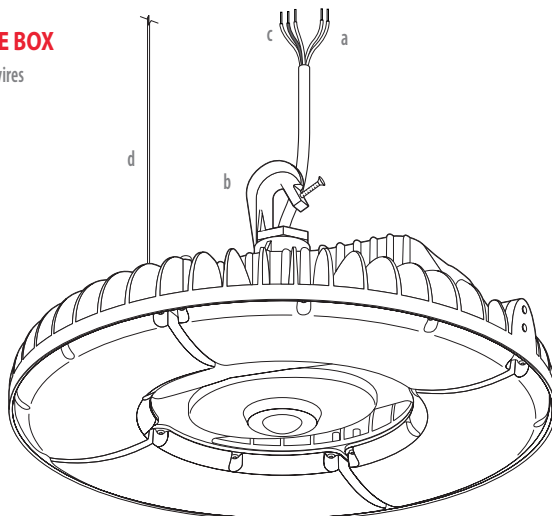
Ordering Code: HBC Series

WHAT COMES IN THE BOX

- (a) Built in 1' 0-10V dimming wires
- (b) Snap hook
- (c) Input wire (10')
- (d) Safety cable (5') and bolt
- (e) Installation instructions

TOOLS NEEDED

- Wire Stripper
- Wire Cutter



Sensor model



SAFETY INSTRUCTIONS AND WARNINGS

WHEN USING ELECTRICAL EQUIPMENT, BASIC SAFETY PRECAUTIONS SHOULD ALWAYS BE OBSERVED

READ AND FOLLOW ALL SAFETY INSTRUCTIONS.

- Consult a qualified electrician to ensure correct branch circuit conductor.
- Consulter un électricien qualifié pour vous assurer que les conducteurs de la dérivation sont adéquats.
- This product must be installed in accordance with the applicable installation code by a person familiar with the construction and operation of the product and the hazards involved.
- Ce produit doit être installé selon le code d'installation pertinent, par une personne qui connaît bien le produit et son fonctionnement ainsi que les risques inhérents.
- Installation should only be conducted by a qualified electrician in accordance with NEC and any relevant local building codes.
- Risk of fire or electric shock. High Bay installation requires knowledge of luminaires electrical systems. If not qualified, do not attempt installation. Contact a qualified electrician.
- Be certain electrical power is OFF before and during installation and maintenance.
- High Bay must be connected to a wiring system with an equipment-grounding conductor.
- Make sure the supply voltage is the same as the rated High Bay voltage.
- To prevent wiring damage or abrasion, do not expose wiring to edges of sheet metal or sharp objects.
- No user serviceable parts inside of High Bay luminaires.
- Secure heat sink with safety cable.

INSTALLATION PROCEDURE

READ ALL INSTRUCTION BEFORE BEGINNING INSTALLATION

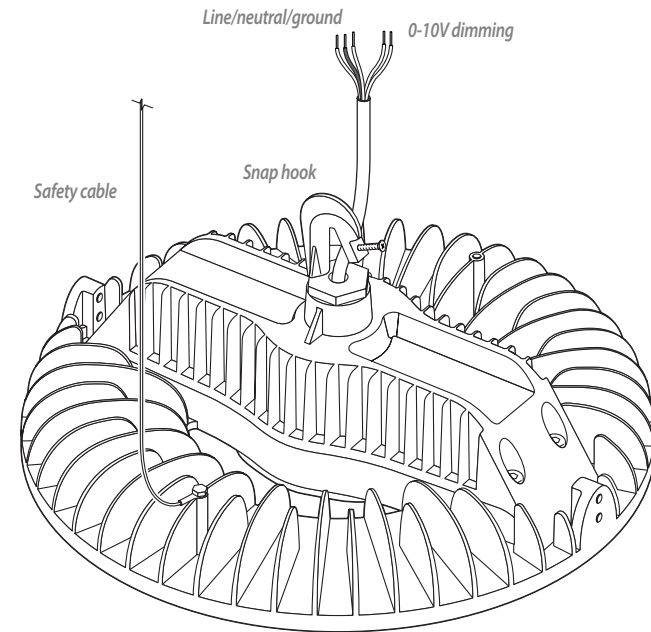
1. Turn off power at the circuit breaker.
2. High Bay Luminaire can be mechanically supported to hook, chain or cable (not included) by securing to snap hook (included) on top of fixture. For pendant mounting, leave snap hook off and screw conduit directly into the fixture.
3. Once luminaire is supported, attach the included safety cable to a beam or permanent structural support.
4. Make wiring connections
 - To enable 0-10V dimming for the sensor or non-sensor model, make connections between dimming wires (purple (+) and gray (-)) and dimmer, using the included waterproof wire nuts. Then, depending on voltage, connect the input wire to AC branch circuits as noted in figures 2-4. This should be in accordance with national and local codes.
 - If 0-10V dimming is not needed for the sensor or non-sensor model, there is no need to connect the purple (+) and gray (-) wires. They can simply be capped off.
 - If using the sensor model, various settings can be customized using a remote control, part # SCR053 (sold separately). Instructions for sensor settings are included with each remote control. Default settings are listed below in figure 1.
5. Restore power at circuit breaker and subsequently switch on dimmer (if applicable).

SENSOR DEFAULT SETTINGS

SENSITIVITY	TIME	DAY LIGHT	STAND BY LEVEL	STAND BY TIME
100%	10 Seconds	30 lux	30%	∞

figure 1

INSTALLATION PROCEDURE



120V & 277V



figure 2

*For 240V, follow 480V wiring instructions

480V



figure 3

*For 347V, follow 120-277V wiring instructions

SENSOR OR NON-SENSOR MODEL WIRING DIAGRAM

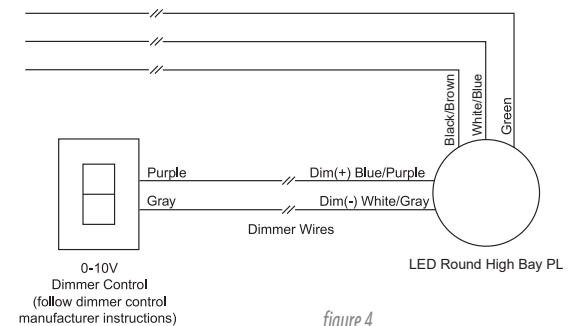


figure 4

Thank you for choosing

LITETRONICS®

6969 W. 73rd Street
Bedford Park, IL 60638

WWW.LITETRONICS.COM

CustomerService@Litetronics.com or 1-800-860-3392



The information and product specifications contained in these instructions are based upon data believed to be accurate at the time of printing. This information is subject to change without notice and without incurring liability. If you have questions regarding specific product details, please contact us at 800-860-3392 or via email at customerservice@litetronics.com.

To check for an updated version of these instructions, please visit www.litetronics.com.

v2 (6/11/19)