

# LITETRONICS®

## LED High Bay SL Installation Instructions

Ordering Code: HBS Series

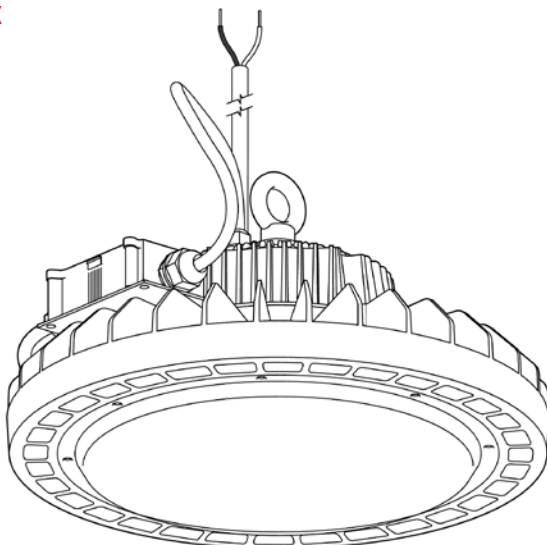
---

### WHAT COMES IN THE BOX

- 1' 0-10V dimming wires
- 6' power and ground wires
- 5' Safety cable
- Round hook
- Installation instructions
- Waterproof wirenuts (2)

### TOOLS NEEDED

- Wire Stripper
- Wire Cutter



---

## SAFETY INSTRUCTIONS AND WARNINGS

WHEN USING ELECTRICAL EQUIPMENT, BASIC SAFETY PRECAUTIONS SHOULD ALWAYS BE OBSERVED

### READ AND FOLLOW ALL SAFETY INSTRUCTIONS.

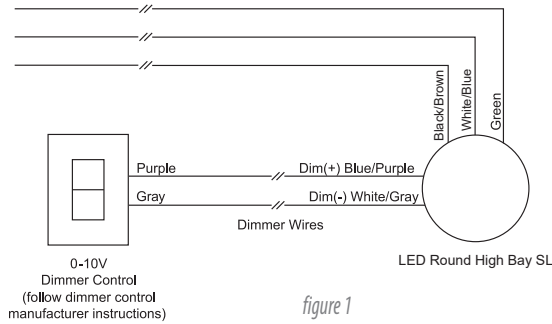
- Consult a qualified electrician to ensure correct branch circuit conductor.
- Consulter un électricien qualifié pour vous assurer que les conducteurs de la dérivation sont adéquats.
- This product must be installed in accordance with the applicable installation code by a person familiar with the construction and operation of the product and the hazards involved.
- Ce produit doit être installé selon le code d'installation pertinent, par une personne qui connaît bien le produit et son fonctionnement ainsi que les risques inhérents.
- Installation should only be conducted by a qualified electrician in accordance with NEC and any relevant local building codes.
- Risk of fire or electric shock. High Bay installation requires knowledge of luminaires electrical systems. If not qualified, do not attempt installation. Contact a qualified electrician.
- Be certain electrical power is OFF before and during installation and maintenance.
- High Bay must be connected to a wiring system with an equipment-grounding conductor.
- Make sure the supply voltage is the same as the rated High Bay voltage.
- To prevent wiring damage or abrasion, do not expose wiring to edges of sheet metal or sharp objects.
- No user serviceable parts inside of High Bay luminaires.
- Secure heat sink with safety cable.

# INSTALLATION PROCEDURE

## READ ALL INSTRUCTION BEFORE BEGINNING INSTALLATION

1. Turn off power at the circuit breaker.
2. High Bay Luminaire can be mechanically supported to hook, chain or cable (not included) by securing to round hook (included) on top of fixture.
3. Once luminaire is supported, attach the included safety cable to a beam or permanent structural support.
4. Make wiring connections
  - To enable 0-10V dimming, make connections between dimming wires (purple (+) and gray (-)) and dimmer, using the included waterproof wire nuts. Then, connect the input wire to AC branch circuits as noted in figures 1-3. This should be in accordance with national and local codes.
  - If 0-10V dimming is not needed, there is no need to connect the purple (+) and gray (-) wires. They can simply be capped off.
5. Restore power at circuit breaker and subsequently switch on dimmer (if applicable).

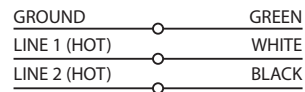
## WIRING DIAGRAM



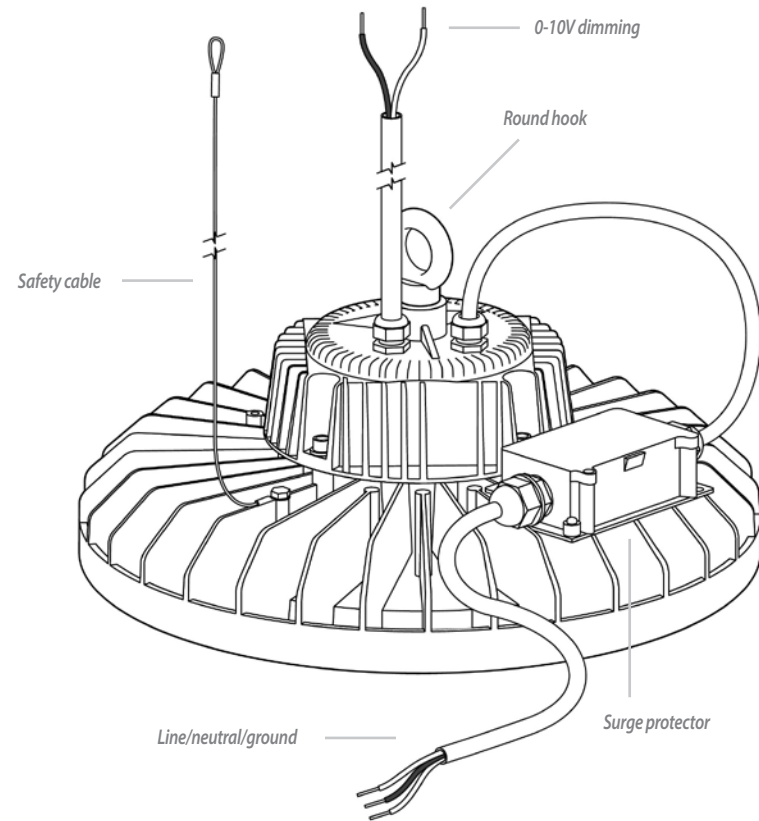
## 120V & 277V



## 240V



# INSTALLATION PROCEDURE



Thank you for choosing

**LITETRONICS®**

6969 W. 73rd Street  
Bedford Park, IL 60638

[WWW.LITETRONICS.COM](http://WWW.LITETRONICS.COM)

[CustomerService@Litetronics.com](mailto:CustomerService@Litetronics.com) or 1-800-860-3392



The information and product specifications contained in these instructions are based upon data believed to be accurate at the time of printing. This information is subject to change without notice and without incurring liability. If you have questions regarding specific product details, please contact us at 800-860-3392 or via email at [customerservice@litetronics.com](mailto:customerservice@litetronics.com).

To check for an updated version of these instructions, please visit [www.litetronics.com](http://www.litetronics.com).

3/17/20