

PROJECT:	
CATALOG #	
TYPE:	DATE:

LIGHT PANEL RETROFIT

FIELD-ADJUSTABLE LIGHT OUTPUT & SELECTABLE CCT

DESCRIPTION

Combining top-of-the-line efficiency with a stylish, modern design, the LED Light Panel Retrofit is an ideal solution for updating interior grid ceiling applications. It can accommodate all standard sizes of fluorescent troffers, including 2' x 4', 2' x 2' or 1' x 4', and it's patented design makes installation simple and quick. The kit can be installed by one person in less than two minutes, without breaking into the ceiling plenum.

Our standard model is equipped with field-adjustable light output, enabling the lumen output and wattage to be set to one of five specific levels based on the needs of the user. This feature enables not only the customization of light output, but also puts a cap on the amount of energy being used.

The LED Light Panel Retrofit is listed as a DLC Premium product and delivers up to 125 lumens per watt (LPW) over the course of it's 100,000-hour rated life. It ensures long-term energy savings over traditional fluorescent bulbs and ballasts, as well as eliminates routine maintenance, making it perfect for updating existing troffers. Furthermore, it's backed by an industry-leading 10-year warranty, guaranteeing peace of mind for the life of your fixture.



FEATURES

- Field-adjustable light output
- Selectable CCT (3500, 4000, 5000K)
- 100,000-hour rated life
- 10-year warranty
- DLC Premium (125 LPW)
- Sealed enclosure (Bug/dust free)
- Anti-yellowing frosted diffuser
- Suitable for damp locations
- 0-10V Dimming
- Compatible with Emergency Battery Backup

MARKETS

- Schools and universities
- Offices and municipal buildings
- Healthcare facilities and hospitals

APPLICATIONS

- Drop/grid ceilings
- Fluorescent troffers

CERTIFICATIONS



SPECIFICATIONS

Life (@L70): 100,000 hours

Warranty: 10 years

PERFORMANCE

Operating temp: -4°F to 113°F (-20°C to 45°C)

Efficacy (LPW): 125 LPW

CRI: 80

ELECTRICAL

Input voltage: 120-277V

Input frequency: 50/60Hz

PF: ≥.95

THD: N/A

Surge protection: ANSI C82.77 compliant

Dimming: 0-10VDC ANSI C137.x compliant

Minimum dimming: 0% of rated lumen LED drive current

Aux. Voltage: No

Driver Class: N/A

Whip/Cord: No

Sensor: No

OPTICAL

Beam: N/A

Lens: Polycarbonate Frosted

UGR: N/A

PHYSICAL

Finish: Powder Coat

Color: White

Housing: Painted Steel

INDUSTRY STANDARDS/RATINGS

IP: 20

IK: N/A

Location: Damp

IC: N/A

UL/ETL: ETL

FCC: Yes

RoHS: Yes

DLC: Premium

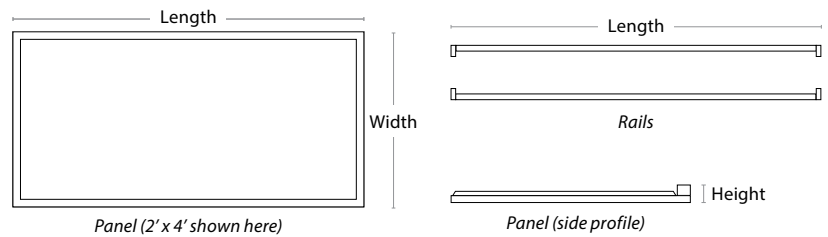
MOUNTING

Standard: T-bar grid (drop ceilings) mounted fluorescent troffers

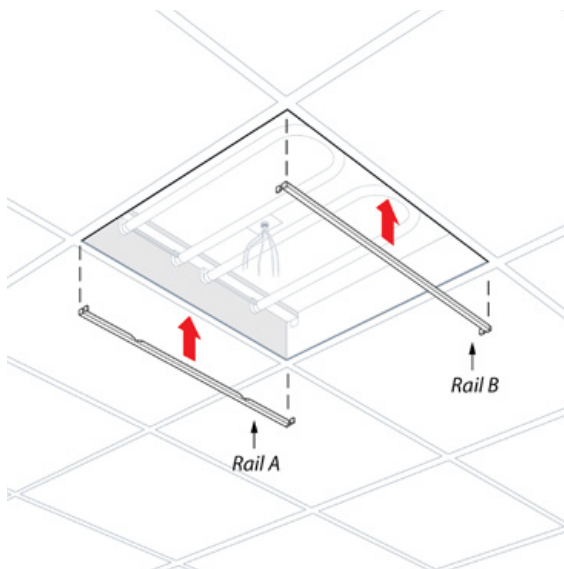
Wiring access: 1/2" trade size knockouts

DIMENSIONS / WEIGHT

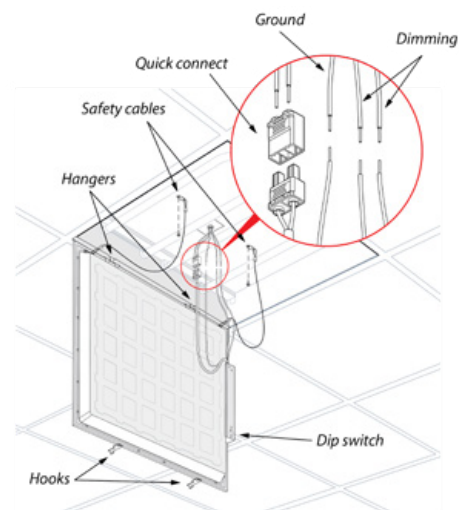
ORDER#	SIZE	LENGTH	WIDTH	HEIGHT	RAIL LENGTH	WEIGHT
PRT4	2' x 4'	45"	21"	1.625"	47"	9.5 lbs
PRT2	2' x 2'	21"	21"	1.625"	23"	6.06 lbs
PRT1	1' x 4'	45"	10.5"	1.625"	47"	6.68 lbs



PRODUCT OVERVIEW AND INSTALLATION



The mounting rails are inserted between the troffer and grid rail on opposite sides with the anti-rotational tabs pointed inward and notches facing up.



The panel hangers are inserted into the notches on the mounting rail, enabling the panel to hang freely while electrical connections are completed.

ORDERING INFORMATION

Listed below are the max wattage settings and lumens for each model number.

ORDERING CODE	DESCRIPTION	SIZE	WATTS	VOLTS	CCT (K)	LUMENS
PRT4	LED Light Panel Retrofit	2' x 4'	25 30 40 45 50	120-277V	3500 4000 5000	3,125 3,750 5,000 5,625 6,250
PRT2	LED Light Panel Retrofit	2' x 2'	18 20 25 30 36	120-277V	3500 4000 5000	2,250 2,500 3,125 3,750 4,500
PRT1	LED Light Panel Retrofit	1' x 4'	18 20 25 30 36	120-277V	3500 4000 5000	2,250 2,500 3,125 3,750 4,500



EMERGENCY BATTERY BACKUP

MODEL #	DESCRIPTION	USAGE
EB10	10W Emergency Battery Backup	Supplies battery backup to an individual fixture for up to 90 minutes. <u>Must be ordered with EBCM or EBAM indicator module.</u>
EBCM	Ceiling-Mounted Indicator Module	This Ceiling-Mounted Indicator Module (EBCM) can be used with one of Litetronics' emergency battery backup products (EB10, EB10N or EB20) to provide a visual confirmation of the operational status of the EBB unit. This module is typically used in grid ceiling applications where it is recess mounted in a panel adjacent to the fixture.
EBAM	Adhesive-Mounted Indicator Module	This Adhesive-Mounted Indicator Module (EBAM) must be used with one of Litetronics' emergency battery backup products (EB10, EB10N or EB20) to provide a visual confirmation of the operational status of the EBB unit. This module is typically used in open ceiling or drywall ceiling applications where the module is applied to the side of the fixture, mounting kit, or a nearby structural element.
TR01	LED Emergency Light Test Remote	This accessory is required to operate and test the EMBB. • Only one remote required per area, building or site as necessary.