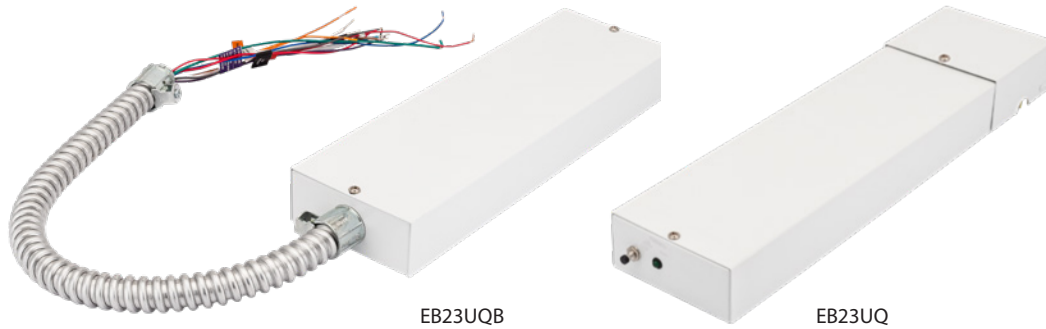


## LED 23W EMERGENCY BATTERY BACKUP



The Litetronics Emergency Battery Backup provides peace of mind in times of power loss, delivering up to 23 watts for 90 minutes with no light degradation.

Options are available for both on-unit (EB23UQ) and remote (EB23UQB) installations, ensuring compatibility across a wide range of luminaires and retrofits. Both units function with our 0-10V dimmable products and each unit includes an integrated test switch and pilot light for added peace of mind. The remote mounted (EB23UQB) option comes with 18" of conduit, which can be run to your fixture from a nearby mounting location, but the unit itself can be mounted up to 200 feet away from the fixture.

Both units include a battery, charger, driver module and test switch integrated into one compact design. Rare earth magnets contribute to an easy installation process, enabling the installer to attach the unit to any metal surface while finalizing placement and wiring.

### KEY FEATURES

- 90-minute operating time in power shortage, delivering 23 watts with no light degradation
- Works with 0-10V dimmable LED retrofits and luminaires
- Integrated test switch with pilot light
- Meets or exceeds all National Electrical Code and Life Safety Code Emergency Lighting Requirements
- Suitable for damp locations
- Can be mounted on-unit or up to 200 feet away from the fixture
- 5-year warranty
- One piece design with metal housing
- Rare earth magnets enable easy installation

### MARKETS

- Schools and universities
- Offices and municipal buildings
- Healthcare facilities and hospitals
- Warehouse & storage
- Industrial facilities
- Sports facilities & gyms
- Manufacturing facilities
- Retail centers



# ORDERING INFORMATION

## EMERGENCY BATTERY BACKUP UNITS

WATTS	VOLTS	ORDERING CODE	DESCRIPTION	COMPATIBILITY
23	120-277	EB23UQ	23W 120-277V WH QC Emergency Battery Backup	See below
23	120-277	EB23UQB	23W 120-277V WH 18" Conduit Emergency Battery Backup	See below

## ACCESSORIES

ORDERING CODE	DESCRIPTION	USAGE	COMPATIBILITY
EBA45-12V	Replacement Battery 4500mAh 12V	Replacement battery for emergency backup unit	EB23UQ & EB23UQB
EBA501	Remote test switch for Emergency Battery Backup	Remote switch can be wired into the EBB unit, then mounted remotely (up to 50 feet from the unit). Includes 6' of wiring.	EB23UQ & EB23UQB



# COMPATIBILITY LIST

**EB23UQ** is compatible with the following Magnetic Retrofit and TLED part numbers:

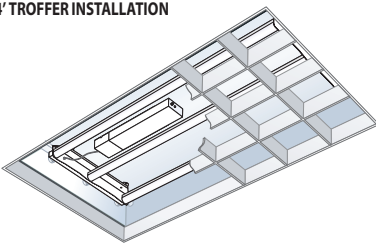
0-10V DIMMING	ADJUSTABLE WATTAGE
RFM131T1XXDL*	RFM3T2XXA
RFM262T1XXDL	RFM2T4XXA
NON-DIMMING	RFM3T4XXB
RFM131T1XX	BYPASS T8 LED TUBES
RFM262T1XX	LT09T828XXB1
SWITCH DIMMABLE	LT14T848XXB2
RFM2T4XXEW	LT18T848XXB1
RFM3T4XXDW	LT20T848XXB2

\* 2 units can be connected in a series

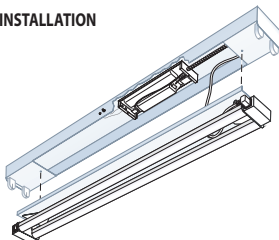
**EB23UQB** is compatible with the following retrofit and luminaire part numbers:

STRIP FIXTURES	LINEAR HIGH & LOW BAYS	NSF HIGH BAY	LIGHT PANEL
SF24UQS4XXDL	LLB60UR2XXDLP	HBF100W7XXDLP	PT2XX
SF40UQS4XXDL	LHB88UR2XXDLP	HAZARD LOC HIGH BAY	PT4XX
SF50UQS8XXDL	LHB112UR2XXDLP	HBE150BXXXDLP*	PT1XX
SF64UQS8XXDL	LHB148US2XXDLP	HBE200BXXXDLP*	VOLUMETRIC TROFFER
STRIP RETROFITS	LHB248UV2XXDLP	* Warning: EB23UQB should be installed in non-hazardous location	VLT2XX
SR24UQS4XXDL	ROUND HIGH BAY PL		VLT4XX
SR30UQS4XXDL	HBC115WXXDLP	VOLUMETRIC RETROFIT	VLT1XX
SR50UQS8XXDL	HBC175WXXDLP	VRT2XX	LIGHT PANEL RETROFITS
SR64UQS8XXDL	HBC220WXXDLP	VRT4XX	PRT2XX
GARAGE LIGHT	HBC240WXXDLP	VRT1XX	PRT4XX
GL39URXXDLP	ROUND HIGH BAY SL	VRT2XXW	PRT1XX
GL59URXXDLP	HBS100B2XXDLP	VRT4XXW	PRT2XXW
			PRT4XXW

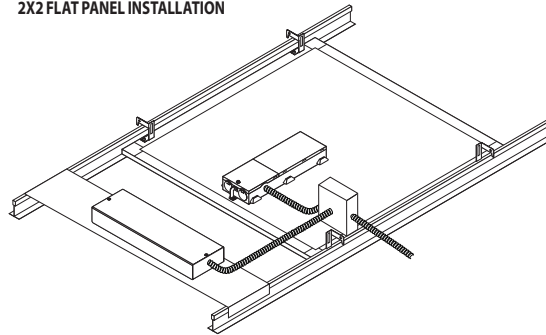
2' x 4' TROFFER INSTALLATION



4' STRIP INSTALLATION



2X2 FLAT PANEL INSTALLATION



## SPECIFICATIONS

**Average rated life:** 50,000 hours

**Warranty:** 5 years

**Operating temperature:** 32°F to 113°F

**Output voltage:** 150Vdc

**Output current:** 160mA

**Output power:** 23 Watts

**Operation time:** 90 minutes

**Input frequency:** 50/60 Hz

**Battery:** Ni-MH 12V 4.5AH

**Recharge time:** 24 hours

**Power Factor:**  $\geq 0.95$

**Weight:** 4.1 lbs.

**Location rating:** Damp

**UL/cUL listed:** Yes

**RoHS compliant:** Yes

## MOUNTING

**EB23UQ:** Metal troffers, strips or wraps

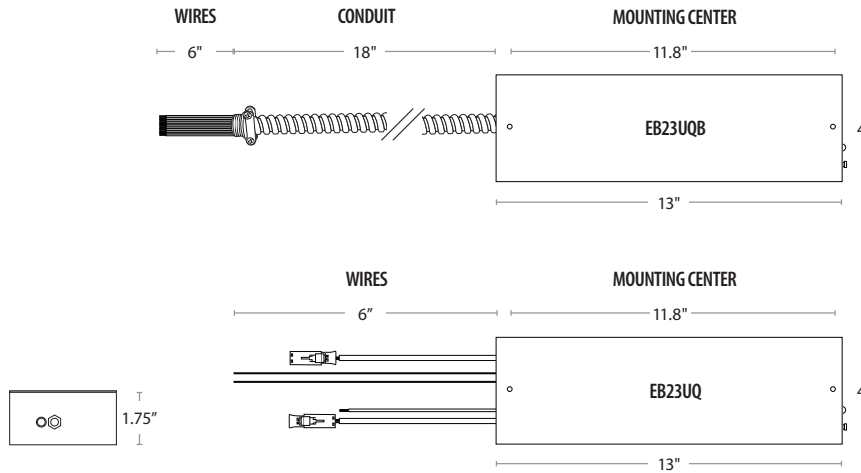
**EB23UQB:** Remote mounting

## ACCESSORIES

Replacement battery

Remote test switch

## SIZING



## WHAT COMES IN THE BOX

### EB23UQ

- Emergency battery pack with magnets
- (1) Female quick connect (attached to male end)
- (1) Male quick connect (attached to female end)
- (3) Self-tapping screws
- (4) Wire nuts
- (1) Strain relief bushing
- (1) Junction box
- Installation Instructions

### EB23UQB

- Emergency battery pack with magnets and 18" of conduit
- (1) Test switch
- (1) LED indicator and holder
- (2) Self-tapping screws
- (12) Wire nuts
- Installation instructions