

## LED LIGHT PANEL RETROFIT

with Field-adjustable Light Output



Combining top-of-the-line efficiency with a stylish, modern design, the LED Light Panel Retrofit is an ideal solution for updating interior grid ceiling applications. It can accommodate all standard sizes of fluorescent troffers, including 2' x 4', 2' x 2' or 1' x 4', and it's patented design makes installation simple and quick. The kit can be installed by one person in less than two minutes, without breaking into the ceiling plenum.

Our standard model is equipped with field-adjustable light output, enabling the lumen output and wattage to be set to one of five specific levels based on the needs of the user. This feature enables not only the customization of light output, but also puts a cap on the amount of energy being used.

The LED Light Panel Retrofit is listed as a DLC Premium product and delivers up to 125 lumens per watt (LPW) over the course of its 100,000-hour rated life. It ensures long-term energy savings over traditional fluorescent bulbs and ballasts, as well as eliminates routine maintenance, making it perfect for updating existing troffers. Furthermore, it's backed by an industry-leading 10-year warranty, guaranteeing peace of mind for the life of your fixture.

### KEY FEATURES

- Field-adjustable light output
- 100,000-hour rated life
- 10-year warranty
- DLC Premium (125 LPW)
- Sealed enclosure (Bug/dust free)
- Anti-yellowing frosted diffuser
- Suitable for damp locations
- 0-10V Dimming
- Compatible with Emergency Battery Backup

### MARKETS

- Schools and universities
- Offices and municipal buildings
- Healthcare facilities and hospitals

### APPLICATIONS

- Drop/grid ceilings
- Fluorescent troffers



## SPECIFICATIONS

**Average rated life:** 100,000 hours (@L70)  
**Warranty:** 10 years  
**Operating temp:** -4°F to 113°F (-20°C to 45°C)  
**Surge protection:** ANSI C82.77 compliant  
**Input voltage:** 120-277V  
**Input frequency:** 50/60Hz  
**Power factor:** ≥0.95  
**CRI:** 80  
**Lens type:** Polycarbonate frosted

**Dimming:** 0-10VDC ANSI C137.x compliant  
 LED drive current  
**Location rating:** Damp  
**ETL listed:** Yes  
**RoHS compliant:** Yes  
**DLC rating:** Premium

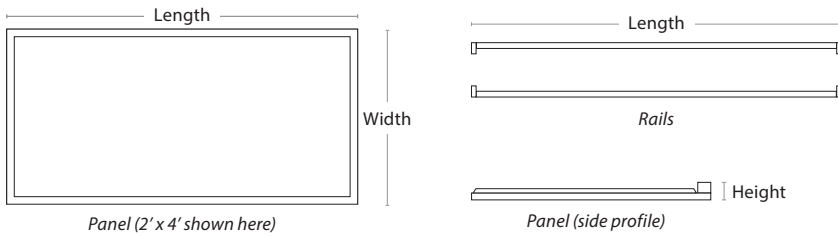
## MOUNTING

**Standard:** T-bar grid (drop ceilings) mounted fluorescent troffers  
**Wiring access:** 1/2" trade size knockouts

## ACCESSORIES

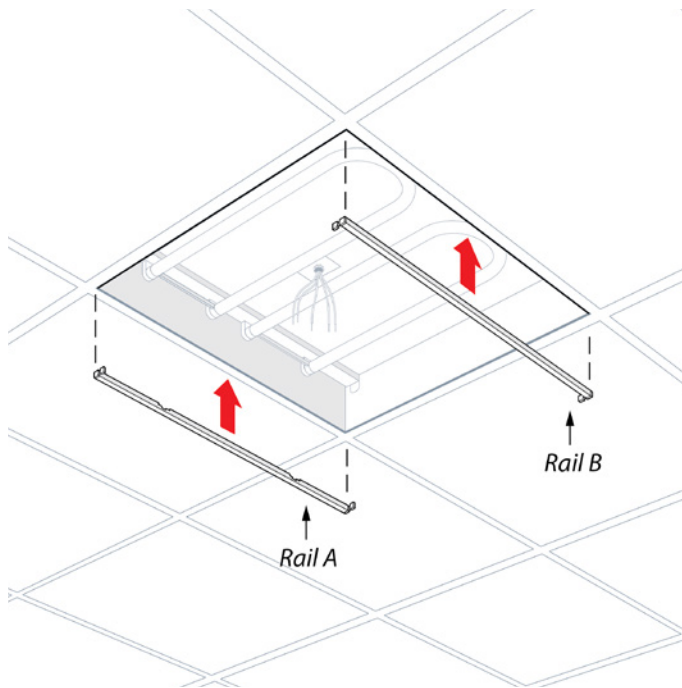
**Emergency Battery Backup**

## DIMENSIONS

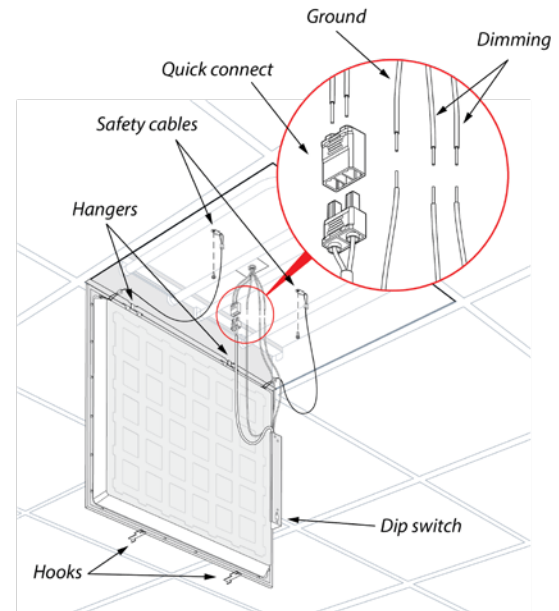


SIZE	LENGTH	WIDTH	HEIGHT	RAIL LENGTH	WEIGHT
2' x 4'	45"	21"	1.625"	47"	9.5 lbs
2' x 2'	21"	21"	1.625"	23"	6.06 lbs
1' x 4'	45"	10.5"	1.625"	47"	6.68 lbs

## PRODUCT OVERVIEW AND INSTALLATION



The mounting rails are inserted between the troffer and grid rail on opposite sides with the anti-rotational tabs pointed inward and notches facing up.



The panel hangers are inserted into the notches on the mounting rail, enabling the panel to hang freely while electrical connections are completed.

# ORDERING INFORMATION

Listed below are the included wattage settings and lumens for each model number.

## 2' X 2'

ROOT MODEL #	DESCRIPTION		
<b>PRT235</b>	<b>2X2 LED Light Panel Retrofit</b>		
EXT. MODEL #	WATTAGE	CCT	LUMENS
PRT23518	18	3500	2,250
PRT23520	20	3500	2,500
PRT23525	25	3500	3,125
PRT23530	30	3500	3,750
PRT235	36	3500	4,500

ROOT MODEL #	DESCRIPTION		
<b>PRT240</b>	<b>2X2 LED Light Panel Retrofit</b>		
EXT. MODEL #	WATTAGE	CCT	LUMENS
PRT24018	18	4000	2,250
PRT24020	20	4000	2,500
PRT24025	25	4000	3,125
PRT24030	30	4000	3,750
PRT240	36	4000	4,500

ROOT MODEL #	DESCRIPTION		
<b>PRT250</b>	<b>2X2 LED Light Panel Retrofit</b>		
EXT. MODEL #	WATTAGE	CCT	LUMENS
PRT25018	18	5000	2,250
PRT25020	20	5000	2,500
PRT25025	25	5000	3,125
PRT25030	30	5000	3,750
PRT250	36	5000	4,500

## 2' X 4'

ROOT MODEL #	DESCRIPTION		
<b>PRT435</b>	<b>2X4 LED Light Panel Retrofit</b>		
EXT. MODEL #	WATTAGE	CCT	LUMENS
PRT43525	25	3500	3,125
PRT43530	30	3500	3,750
PRT43540	40	3500	5,000
PRT43545	45	3500	5,625
PRT435	50	3500	6,250

ROOT MODEL #	DESCRIPTION		
<b>PRT440</b>	<b>2X4 LED Light Panel Retrofit</b>		
EXT. MODEL #	WATTAGE	CCT	LUMENS
PRT44025	25	4000	3,125
PRT44030	30	4000	3,750
PRT44040	40	4000	5,000
PRT44045	45	4000	5,625
PRT440	50	4000	6,250

ROOT MODEL #	DESCRIPTION		
<b>PRT450</b>	<b>2X4 LED Light Panel Retrofit</b>		
EXT. MODEL #	WATTAGE	CCT	LUMENS
PRT45025	25	5000	3,125
PRT45030	30	5000	3,750
PRT45040	40	5000	5,000
PRT45045	45	5000	5,625
PRT450	50	5000	6,250

## 1' X 4'

ROOT MODEL #	DESCRIPTION		
<b>PRT135</b>	<b>1X4 LED Light Panel Retrofit</b>		
EXT. MODEL #	WATTAGE	CCT	LUMENS
PRT13518	18	3500	2,250
PRT13520	20	3500	2,500
PRT13525	25	3500	3,125
PRT13530	30	3500	3,750
PRT135	36	3500	4,500

ROOT MODEL #	DESCRIPTION		
<b>PRT140</b>	<b>1X4 LED Light Panel Retrofit</b>		
EXT. MODEL #	WATTAGE	CCT	LUMENS
PRT14018	18	4000	2,250
PRT14020	20	4000	2,500
PRT14025	25	4000	3,125
PRT14030	30	4000	3,750
PRT140	36	4000	4,500

ROOT MODEL #	DESCRIPTION		
<b>PRT150</b>	<b>1X4 LED Light Panel Retrofit</b>		
EXT. MODEL #	WATTAGE	CCT	LUMENS
PRT15018	18	5000	2,250
PRT15020	20	5000	2,500
PRT15025	25	5000	3,125
PRT15030	30	5000	3,750
PRT150	36	5000	4,500

Each extended model # is individually listed with DLC. The highest wattage is listed under the root model #.

## ACCESSORIES

MODEL #	DESCRIPTION	USAGE
EB23UQB	Emergency Battery Backup unit with 18" conduit   23W   120-277V	Supplies 23 watts to an individual fixture in times of power outage. Emergency power lasts for up to 90 minutes.



Emergency Battery Backup (EB23UQB)