

LED VOLUMETRIC RETROFIT

with Tri-level Switch Dimming



Litetronics has simplified the process of converting fluorescent troffers to LED and at the same time provide step-dimming functionality without the need for additional wires or dimmer switches. Our Tri-Level “Switch” Dimmable Volumetric Retrofit allows the user to cycle through 3 distinct light levels using only the existing line voltage wiring and light switch. When turned on, the initial light level will be 100% but subsequent flips of the switch will reduce the output to 66% and then 33%.

This LED retrofit’s patented design makes installation simple and quick. The kit can be installed by one person in less than two minutes, without breaking into the ceiling plenum.

The LED Volumetric Retrofit is listed as a DLC Premium product and delivers up to 125 lumens per watt (LPW) over the course of it’s 100,000-hour rated life. It ensures long-term energy savings over traditional fluorescent bulbs and ballasts, as well as eliminates routine maintenance, making it perfect for updating existing troffers. Furthermore, it’s backed by an industry-leading 10-year warranty, guaranteeing peace of mind for the life of your fixture.

KEY FEATURES

- Ability to cycle through 3 light levels using existing line voltage and switch
- 100,000-hour rated life
- 10-year warranty
- DLC Premium (125 LPW)
- Suitable for damp locations

MARKETS

- Schools and universities
- Offices and municipal buildings
- Healthcare facilities and hospitals

APPLICATIONS

- Drop/grid ceilings
- Fluorescent troffers



SPECIFICATIONS

Average rated life: 100,000 hours (@L70)
Warranty: 10 years
Operating temp: -4°F to 113°F (-20°C to 45°C)
Surge protection: ANSI C82.77 compliant
Input voltage: 120-277V
Input frequency: 50/60Hz
Power factor: ≥0.95

CRI: 80
Location rating: Damp
ETL listed: Yes
RoHS compliant: Yes
DLC rating: Premium

MOUNTING

Standard: T-bar grid (drop ceilings) mounted fluorescent troffers
Wiring access: 1/2" trade size knockouts

ORDERING INFORMATION

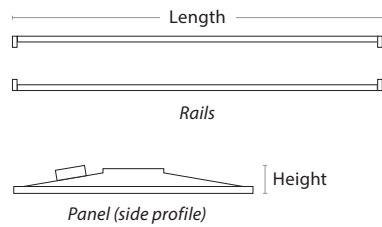
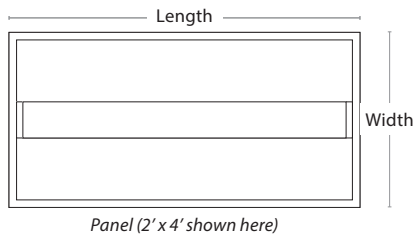
2' X 2'

MODEL #	DESCRIPTION	WATTAGE	CCT	LUMENS
VRT240W	2X2 LED Volumetric Retrofit with Tri-level Switch Dimming 30W 4000K	30, 20, 10	4000	3750, 2500, 1250

2' X 4'

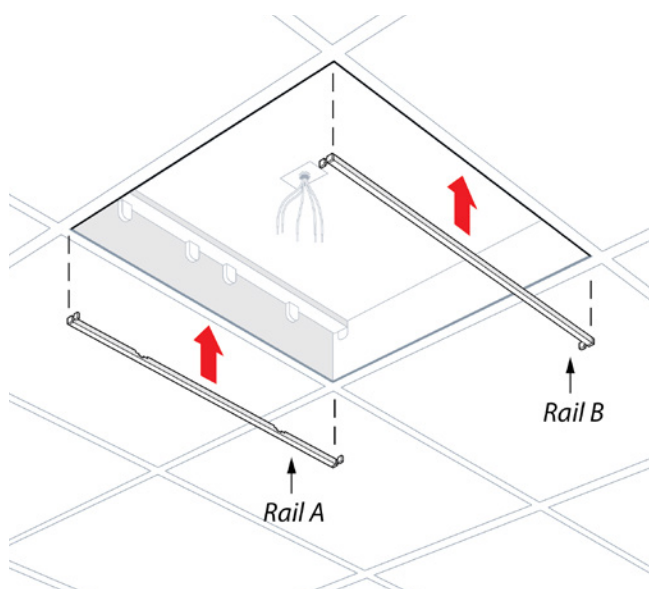
MODEL #	DESCRIPTION	WATTAGE	CCT	LUMENS
VRT440W	2X4 LED Volumetric Retrofit with Tri-level Switch Dimming 50W 4000K	50, 33, 17	4000	6250, 4125, 2125

DIMENSIONS

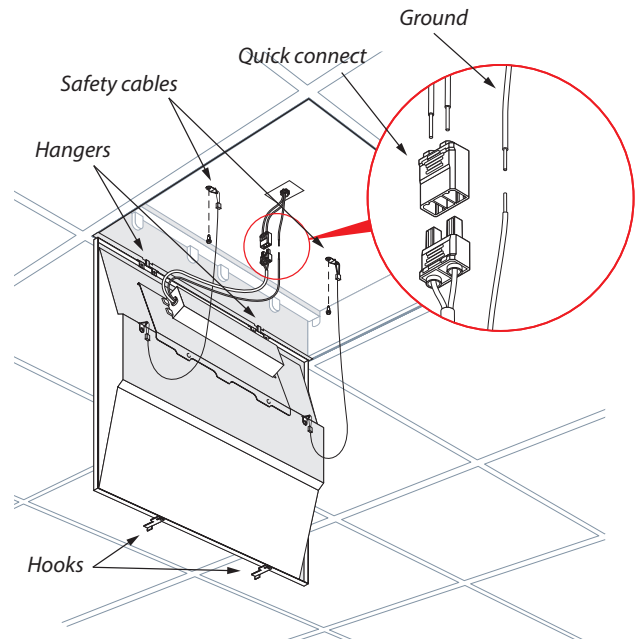


SIZE	LENGTH	WIDTH	HEIGHT	RAIL LENGTH
2' x 4'	45"	21"	2.875"	47"
2' x 2'	21"	21"	2.875"	23"

PRODUCT OVERVIEW AND INSTALLATION



The mounting rails are inserted between the troffer and grid rail on opposite sides with the anti-rotational tabs pointed inward and notches facing up.



The panel hangers are inserted into the notches on the mounting rail, enabling the panel to hang freely while electrical connections are completed.