

PROJECT:	
CATALOG #	
TYPE:	DATE:

LED ROUND HIGH BAY PRO - XL

WATT AND CCT SELECTABLE

DESCRIPTION

The Litetronics LED High Bay Pro XL is an affordable, direct replacement for HID fixtures that delivers an immediate reduction in energy costs while improving the consistency and quality of light within a space.

This lightweight and compact luminaire can be mounted directly to existing HID configurations, acting as a one-for-one replacement. Its 10' power cord provides plenty of length for wiring and the whole installation can be completed in a matter of minutes. The fixture delivers 155 LPW with its 90° beam angle and circular light distribution provide even lighting throughout a space, increasing visual acuity and minimizing safety concerns.



FEATURES

- 3 Selectable watt settings
- Selectable CCT (3500K | 4000K | 5000K)
- IP65 with wet location rating
- 6kV surge protection
- Polycarbonate clear lens
- 0-10V dimming
- 120-480V
- Up to 155 LPW
- Hook mounting
- 10' Power cord
- 100,000 rated life
- 10-year warranty
- Optional pluggable sensor enabling occupancy sensing and daylight harvesting (sold separately)
- IR Programming feature using the SCR054 control
- Wireless setup and group control via LiteSmart mobile app
- Local control via bluetooth wall switch accessory

APPLICATION

- Warehouse/Storage
- Factory/Workshops
- Exhibition Halls
- Gymnasiums
- Supermarkets

CERTIFICATIONS



SPECIFICATIONS

Life (@L70): 100,000 hour

Warranty: 10 years

PERFORMANCE

Operating temp:

-4°F to 131°F (-20°C to 55°C)

Efficacy (LPW): 155LPW

CRI: >80

ELECTRICAL

Input voltage: 120-480V

Input frequency: 50/60Hz

PF: ≥0.9

THD: ≤20%

Surge protection: > 6kV Surge Protection

Dimming: 0-10V Dimming Standard

Whip/Cord: 10'

Sensor: Pug-in (Choice of MW, PIR, Bluetooth)

OPTICAL

Beam: 90°

Lens: Polycarbonate Clear

UGR: <28

PHYSICAL

Finish: Powder Coat

Color: White

Housing: Alluminum Alloy

INDUSTRY STANDARDS/RATINGS

IP: 65

IK: N/A

Location: Wet

IC: Yes

UL/ETL: ETL

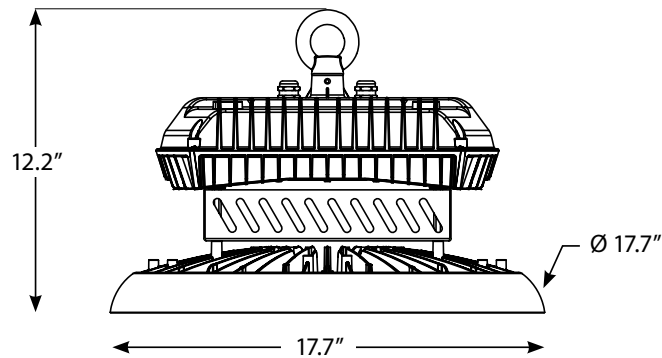
FCC: Yes

RoHS: Yes

DLC: 5.1 Premium

DIMENSIONS / WEIGHT

ORDER#	DIAMETER	HEIGHT	WEIGHT
HBX500	17.7"	12.2"	20.9 lbs.



ORDERING INFORMATION

Listed below are the max wattage settings and lumens.

ORDERING CODE	DESCRIPTION	WATTS	VOLTS	CCT (K)	LUMENS
HBX500	300-500W LED Round High Bay Pro XL	300 400 500	120-480V	3500K 4000K 5000K	46500 62000 77500

ACCESSORIES

SC005



SC006



SC008



SCR053



SCR054



SENSORS AND CONTROLS

MODEL #	DESCRIPTION	USAGE
SC005	Plug-in PIR Sensor	Enable occupancy sensing and daylight harvesting on pluggable fixtures.
SC006	Plug-in Microwave Sensor	Enable occupancy sensing and daylight harvesting on pluggable fixtures. (Made to order).
SC008	Plug-in Bluetooth PIR Sensor with IR	This sensor enables wireless control of fixtures, or groups of fixtures, through the LiteSmart mobile app.
SCR053	Remote Control for plug-in PIR and Microwave sensors	Used to adjust sensor settings after installation, from the ground.
SCR054	Remote Control	Used to Commission LiteTronics "Next Generation" LiteSmart IR-Enabled Sensor.

BLUETOOTH CONTROL SWITCHES

MODEL #	DESCRIPTION	USAGE
BCS03	Bluetooth button battery powered wall switch	Used to control functionality of the fixture; on/off, dimming, daylight harvesting and scene selection. Dimensions: 1-1/4" width x 2 5/8" height x 1/2" depth.
BCS05	Bluetooth 7 Button AC Powered Wall Switch 120-277V	AC powered wall switch used to control functionality of the fixture; on/off, dimming and scene selection.



BCS03



BCS05

Note: Switches don't have CCT selectable capability.

EMERGENCY BATTERY BACKUP

ORDERING CODE	DESCRIPTION	USAGE
EB40*	40W Emergency Battery Backup (120-277V)	Supplies 90 minutes of battery backup to the fixture in times of a power outage. <ul style="list-style-type: none"> This unit is compatible with fixtures using >0W and <290W.

* **Note:** 1. This product is 120-480V, emergency battery backup available for 120-277V only.
2. It has to be connected to one driver of HBX500. See installation instructions.



MOUNT

ORDERING CODE	DESCRIPTION	USAGE
HBXAM20	Pendant Mount	Pendant Mount Accessory for High Bay Pro XL. 1/2" to 3/4" thread. Cable slot to pass 600V wire through to conduit pipe.



HBXAM20