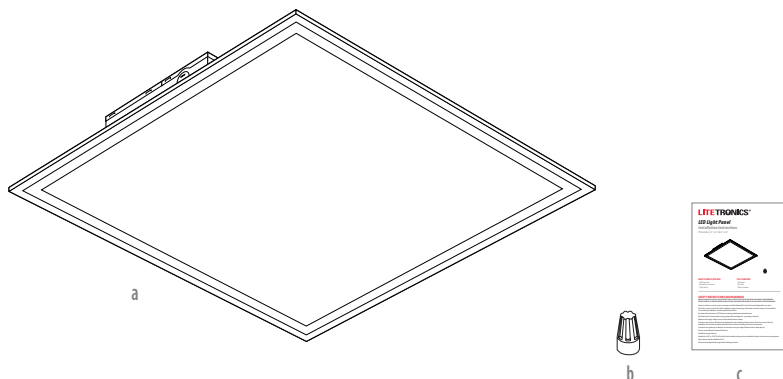


LITETRONICS®

LED Light Panel Installation Instructions

P-Series | 1' x 4', 2' x 2', & 2' x 4'



WHAT COMES IN THE BOX

- (a) LED Light Panel
- (b) Wire Nut (x1)
- (c) Installation Instructions

TOOLS NEEDED

- Wire Stripper
- Wire Cutter
- Phillips Screwdriver

SAFETY INSTRUCTIONS AND WARNINGS

WHEN USING ELECTRICAL EQUIPMENT, BASIC SAFETY PRECAUTIONS SHOULD ALWAYS BE OBSERVED. READ CAREFULLY BEFORE INSTALLING FIXTURE. RETAIN THESE INSTRUCTIONS FOR FUTURE REFERENCE.

Litetronics fixtures must be wired in accordance with the National Electrical Code and all applicable local codes.

Risk of fire or electric shock. Light Panel installation requires knowledge of luminaires electrical systems. If not qualified, do not attempt installation. Contact a qualified electrician.

Be certain electrical power is OFF before and during installation and maintenance.

Light Panel must be connected to a wiring system with an equipment – grounding conductor.

Make sure the supply voltage is the same as the rated luminaire voltage.

Only the open holes indicated in the photographs and/or drawings may be made or altered as a result of this kit installation. Do not leave any other open holes in an enclosure of wiring or electrical components.

To prevent wiring damage or abrasion, do not expose wiring to edges of sheet metal or sharp objects.

No user serviceable parts inside of Light Panel.

Suitable for damp locations.

Suitable for 9/16" or 15/16" Flat Tee Grid in both insulated ceilings and non-insulated ceilings. Access above ceiling required.

Vapor barrier must be suitable for 90° C.

Fixture to be independently supported to building structure.

INSTALLATION PROCEDURE

READ ALL INSTRUCTIONS BEFORE BEGINNING INSTALLATION

1. Turn off power at the electrical panel.
2. Remove the ceiling tile or existing fixture from the grid ceiling space.
3. Before installing, locate the grid clips on your panel; bend them up and out so they can rest on top of the grid.
4. Unscrew and remove the driver cover to access the input and dimming ports, as well as the dip switch.
5. Locate the adjustable wattage dip switch and set to the desired wattage. See figures 1-3 below for settings.
6. Tilt and raise the panel up into the empty grid space, then lower until the grid clips catch on the tee-grid bar. Attach the panel to the building with support wires (not included) using the hole in the grid clip.
7. Remove one conduit knock-out from the driver, then run branch power wire from the conduit to the driver.
8. Insert power and dimming wires into spring-loaded Terminal Blocks. Note the markings on Printed Circuit Board and follow figure 4 below for reference.
 - a. Connect the live power (black) line to one of the two ports labeled AC-L. (Push down on spring lock to insert wire).
 - b. Connect the neutral (white) line to one of the two open ports labeled AC-N.
 - c. Connect the green ground line through conduit with help of the included wire nut.
 - d. If 0-10V dimming is required, connect incoming dimming lines to the DIM+ (Purple) and DIM- (Gray) ports on the terminal block. Follow dimmer manufacturers instruction
9. Close the driver cover and secure it with the screw.
10. Replace the ceiling tiles, turn on the power and your installation is complete.

DIP SWITCH SETTINGS

2' X 2'

WATTAGE	LUMENS	1	2	3
18	2250	●	○	●
20	2500	●	○	○
25	3125	○	●	○
30	3750	○	○	●
36	4500	○	○	○

figure 1

2' X 4'

WATTAGE	LUMENS	1	2	3
25	3125	●	●	●
30	3750	●	○	○
40	5000	○	●	○
45	5625	○	○	●
50	6250	○	○	○

figure 2

1' X 4'

WATTAGE	LUMENS	1	2	3
18	2250	●	○	●
20	2500	●	○	○
25	3125	○	●	○

figure 3

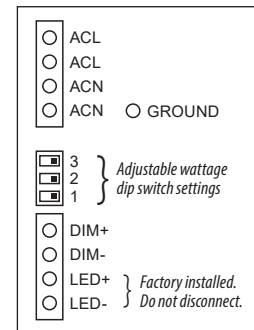
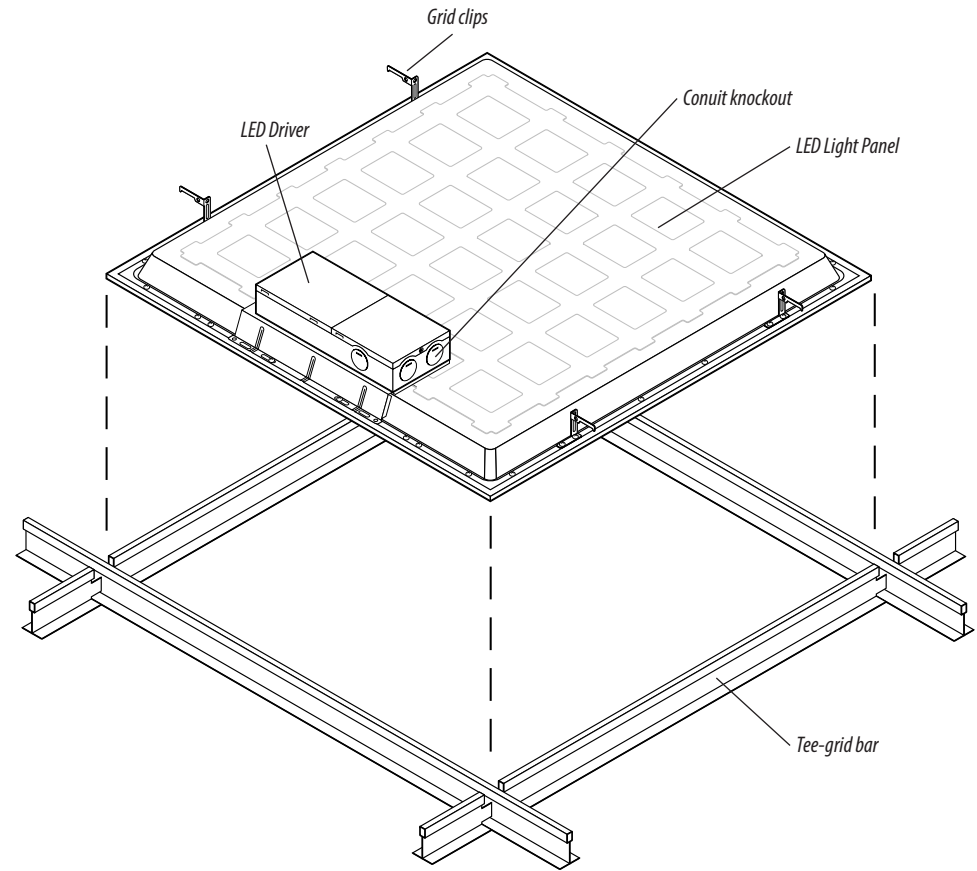
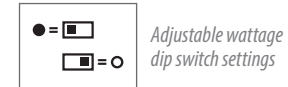


figure 4



Adjustable wattage dip switch settings



Thank you for choosing

LITETRONICS®

6969 W. 73rd Street
Bedford Park, IL 60638

WWW.LITETRONICS.COM

CustomerService@Litetronics.com or 1-800-860-3392



The information and product specifications contained in these instructions are based upon data believed to be accurate at the time of printing. This information is subject to change without notice and without incurring liability. If you have questions regarding specific product details, please contact us at 800-860-3392 or via email at customerservice@litetronics.com.

To check for an updated version of these instructions, please visit www.litetronics.com.

6/18/19