

# LITETRONICS®

## LED NSF High Bay Installation Instructions

Ordering Code: HBF Series

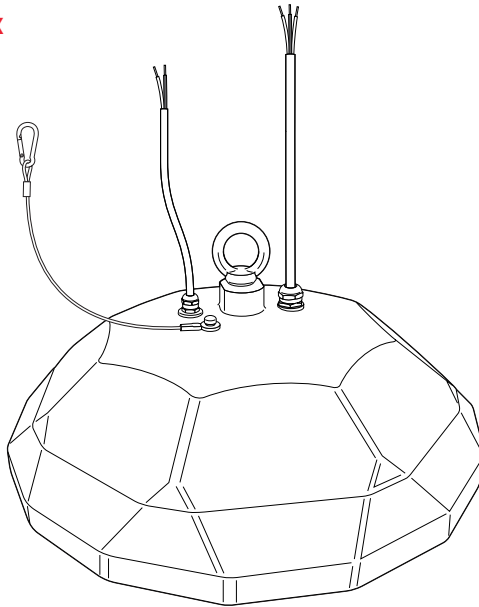
---

### WHAT COMES IN THE BOX

- (a) Built in 0-10V Dim wires (1')
- (b) Round hook
- (c) Built-in input wire (6')
- (d) Safety cable
- (e) Waterproof wire nuts (2)
- (f) Installation instructions

### TOOLS NEEDED

Wire Stripper  
Wire Cutter



---

## SAFETY INSTRUCTIONS AND WARNINGS

When using electrical equipment, basic safety precautions should always be observed. Read and follow all safety instructions.

- Consult a qualified electrician to ensure correct branch circuit conductor.
- This product must be installed in accordance with the applicable installation code by a person familiar with the construction and operation of the product and the hazards involved.
- Installation should only be conducted by a qualified electrician in accordance with NEC and any relevant local building codes.
- Risk of fire or electric shock. High Bay installation requires knowledge of luminaires electrical systems. If not qualified, do not attempt installation. Contact a qualified electrician.
- Be certain electrical power is OFF before and during installation and maintenance.
- High Bay must be connected to a wiring system with an equipment-grounding conductor.
- Make sure the supply voltage is the same as the rated High Bay voltage.
- To prevent wiring damage or abrasion, do not expose wiring to edges of sheet metal or sharp objects.
- No user serviceable parts inside of High Bay luminaires.
- Secure heat sink with safety cable.

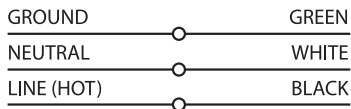
# INSTALLATION PROCEDURE

**Input 120V, 240V or 277V using 3 strip wires with or without 0-10V dimmer**

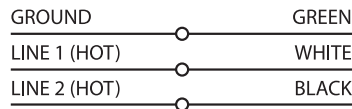
## READ ALL INSTRUCTION BEFORE BEGINNING INSTALLATION

1. Turn off power at the circuit breaker.
2. NSF High Bay Luminaire should be mechanically supported to hook, chain or cable (not included) by securing to round hook (included) on top of fixture. Attach included safety cable.
3. When installing without dimmer (0-10V) in wet locations, ensure that white/pink and blue/purple wires are each covered with a waterproof nut (supplied). When installing in dry locations, ensure white/pink and blue/purple wires are not crossed.
4. When installing dimmer (0-10V), connect 0-10V dimmer wires to dimmer control with dim (+) blue/purple and dim (-) white/pink from NSF High Bay luminaire with waterproof nuts (supplied). Follow fig. 1 below to connect 0-10V dimmer and power for 120-277V or 277-480V. Follow dimmer control manufacturer instructions for more details.
5. Connect wire cord to AC branch circuit as noted below. It should be in accordance with national and local codes.

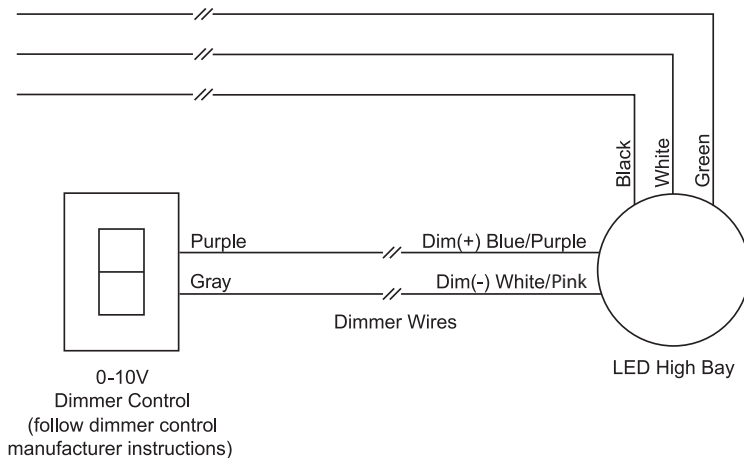
### 120V & 277V



### 480V

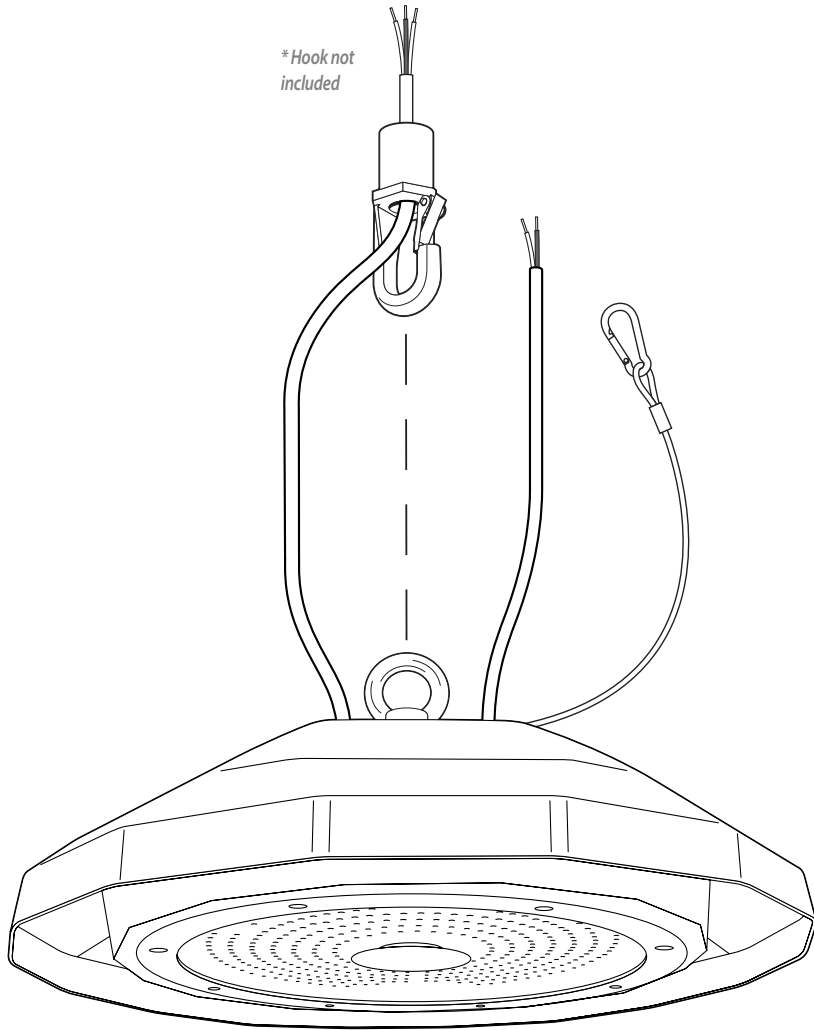


6. Restore power at circuit breaker and subsequently switch on dimmer (if applicable).



# INSTALLATION PROCEDURE

Input 120V, 240V or 277V using 3 strip wires with or without 0-10V dimmer



Thank you for choosing

**LITETRONICS®**

6969 W. 73rd Street  
Bedford Park, IL 60638

WWW.LITETRONICS.COM

CustomerService@Litetronics.com or 1-800-860-3392



The information and product specifications contained in these instructions are based upon data believed to be accurate at the time of printing. This information is subject to change without notice and without incurring liability. If you have questions regarding specific product details, please contact us at 800-860-3392 or via email at customerservice@litetronics.com.

To check for an updated version of these instructions, please visit [www.litetronics.com](http://www.litetronics.com).

1/14/22