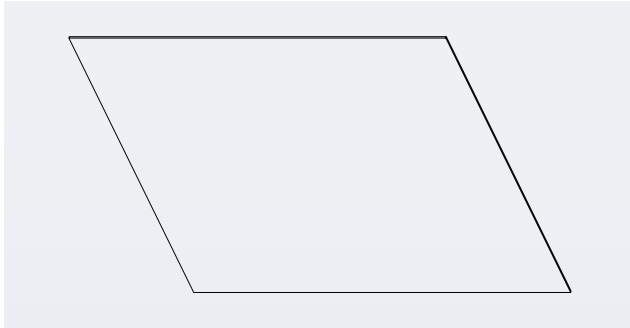


(HOPTAPL2), (HOPTAPL4) Protective Lens for High Ceiling Light

Panel - 2' x 2' & 2' x 4'

Installation Instructions



SAFETY INSTRUCTIONS AND WARNINGS WHEN USING ELECTRICAL EQUIPMENT, BASIC SAFETY PRECAUTIONS SHOULD ALWAYS BE OBSERVED.

READ CAREFULLY BEFORE INSTALLING FIXTURE. RETAIN THESE INSTRUCTIONS FOR FUTURE REFERENCE.

Litetronics fixtures must be wired in accordance with the National Electrical Code and all applicable local codes.

Risk of fire or electric shock. If not qualified, do not attempt installation. Contact a qualified electrician.

Be certain electrical power is OFF before and during installation and maintenance.

INSTALLATION INSTRUCTIONS

1. Turn off power.

Installing Light Panel & Lens

2. Remove the ceiling tile from the T-Grid ceiling space (Figure 1). Continue to **step 4**.

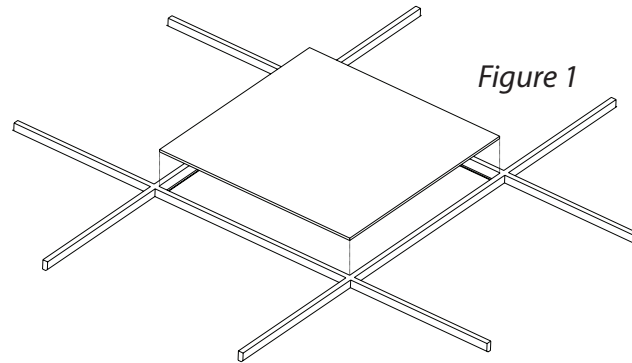


Figure 1

Installing Lens To An Existing Light Panel

3. Raise the light panel up into the empty grid space and let the light panel lay on the T-grid, beside ceiling tiles. (Figure 2).

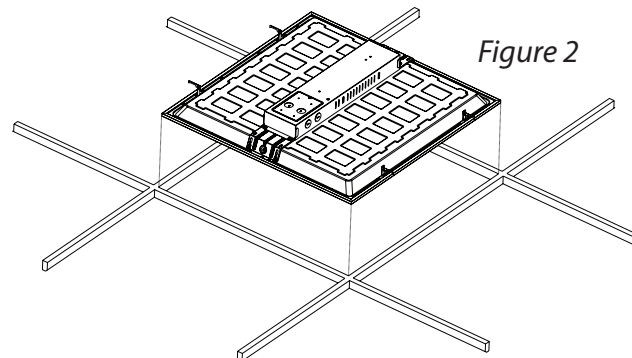


Figure 2

4. Raise the protective lens into the empty grid space, then lower until it lies on the T-grid bar properly. Then move the light panel to the right top of the protective lens until the light panel rests on the same T-grid bar properly (Figure 3).

Note: If installing the light panel for the first time, connect the wires according to the light panel installation instructions.

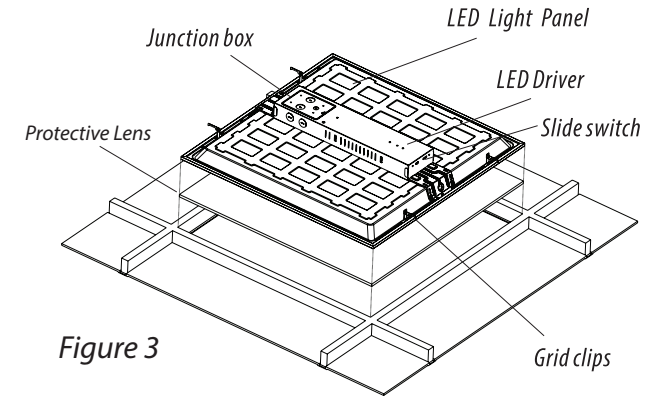
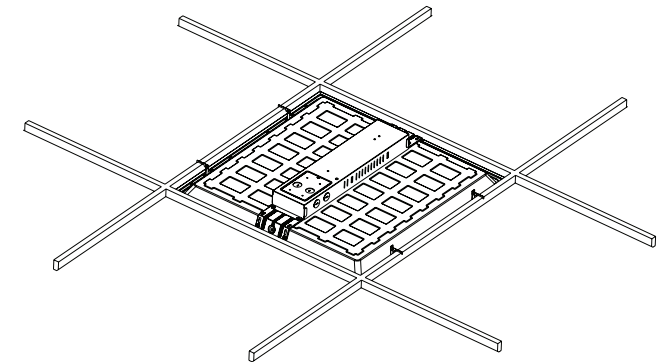


Figure 3

5. Installation is complete.



6. Turn power back on.

Thank you for choosing
LITETRONICS®
6969 W. 73rd Street
Bedford Park, IL 60638

WWW.LITETRONICS.COM

CustomerService@Litetronics.com or
1-800-860-3392



The information and product specifications contained in these instructions are based upon data believed to be accurate at the time of printing. This information is subject to change without notice and without incurring liability. If you have questions regarding specific product details, please contact us at 800-860-3392 or via email at customerservice@litetronics.com.

To check for an updated version of these instructions, please visit www.litetronics.com.