

LITETRONICS®

LED Linear High Bay (C-Series)

Installation Instructions

Ordering Code: LHBC Series



WHAT COMES IN THE BOX

LED Linear High Bay with 6' input wire
2 V-hooks and chains
Installation instructions

TOOLS NEEDED

Wire Stripper
Wire Cutter
Phillips Screwdriver

SAFETY INSTRUCTIONS AND WARNINGS

WHEN USING ELECTRICAL EQUIPMENT, BASIC SAFETY PRECAUTIONS SHOULD ALWAYS BE OBSERVED

READ AND FOLLOW ALL SAFETY INSTRUCTIONS.

- Risk of fire or electric shock. Linear High Bay or Low Bay luminaire installation requires knowledge of luminaires electrical systems. If not qualified, do not attempt installation. Contact a qualified electrician.
- Be certain electrical power is OFF before and during installation and maintenance.
- Linear High Bay or Low Bay luminaire must be connected to a wiring system with an equipment – grounding conductor.
- Make sure the supply voltage is same as the rated luminaire voltage
- Only those open holes indicated in the photographs and/or drawings may be made or altered as a result of this fixture installation. Do not leave any other open holes in an enclosure of wiring or electrical components.
- To prevent wiring damage or abrasion, do not expose wiring to edges of sheet metal or sharp objects.
- No user serviceable parts inside of Linear High Bay or Low Bay Luminaire.

INSTALLATION INSTRUCTIONS

Before starting installation, turn off power at circuit breaker.

SETTING THE COLOR TEMPERATURE

1. Before installing the fixture, find the CCT slide switch on the side of the driver and select the preferred color temperature.

CCT settings: 4000K | 5000K

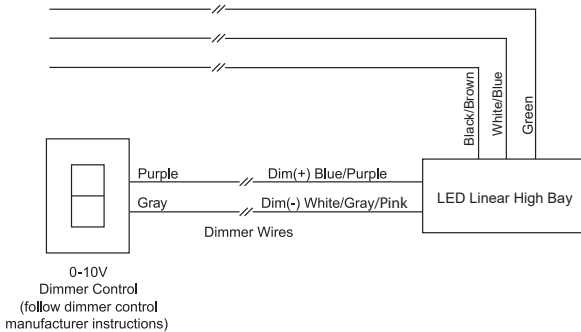
SUSPENDING THE FIXTURE FROM A BEAM/RAFTER (FIGURE A)

1. Suspend the fixture by securing the v-hooks to the interior structure.
2. Install the chains to the provided v-hooks, then mount the hangers to the top side of the fixture (as shown in Figure A).
3. Make wiring connections based on the instructions and diagrams below.

INSTALLING THE PLUGGABLE SENSOR (FIGURE B)

1. Unscrew and remove sensor port plug
2. Plug sensor into port and screw to tighten (sensor sold separately)

WIRING DIAGRAM



120V & 277V

GROUND	○	GREEN
NEUTRAL	○	WHITE
LINE (HOT)	○	BLACK

*For 240V, follow 480V wiring instructions

INSTALLATION INSTRUCTIONS

FIGURE A - FIXTURE INSTALLATION

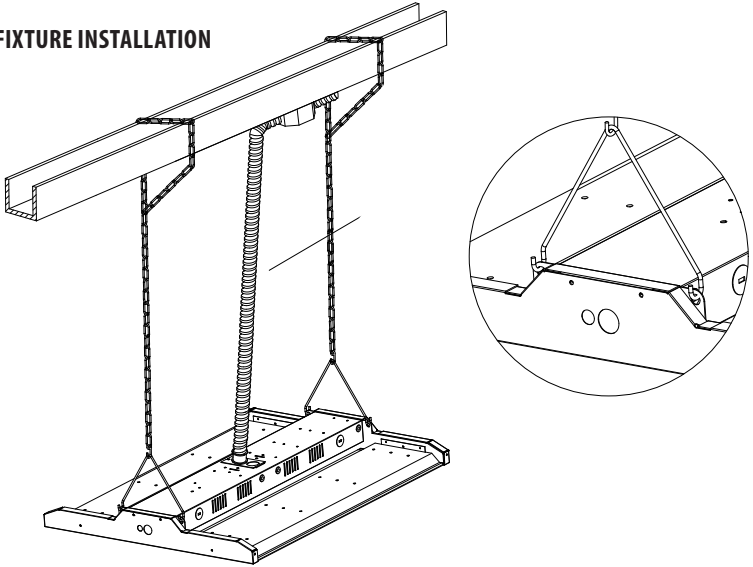
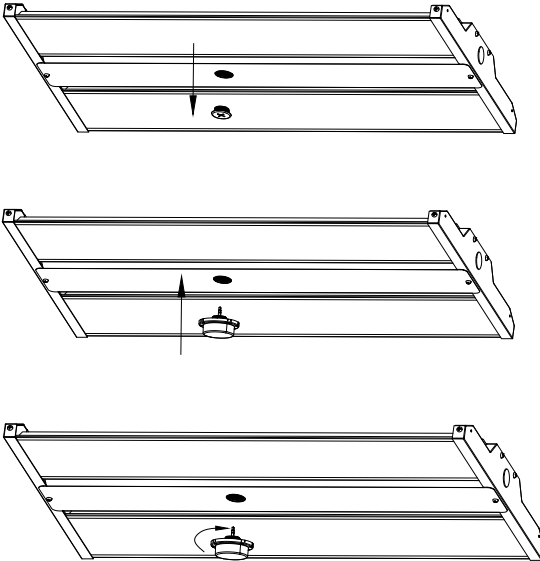


FIGURE B - SENSOR INSTALLATION



Thank you for choosing

LITETRONICS®

6969 W. 73rd Street
Bedford Park, IL 60638

WWW.LITETRONICS.COM

CustomerService@Litetronics.com or 1-800-860-3392



The information and product specifications contained in these instructions are based upon data believed to be accurate at the time of printing. This information is subject to change without notice and without incurring liability. If you have questions regarding specific product details, please contact us at 800-860-3392 or via email at customerservice@litetronics.com.

To check for an updated version of these instructions, please visit www.litetronics.com.

7/14/22-V1.2