

LED VOLUMETRIC RETROFIT

FOR STANDARD AND NARROW GRID FRAMES



Our Volumetric Retrofit offers the quickest solution for converting your standard fluorescent troffers to energy-efficient LED. With this retrofit kit, you'll renew the look of your environment, eliminate inconsistencies between fixtures and experience dramatic energy savings of up to 70%.

Designed for easy installation, our patented retrofit kit combines a one-piece frame and LED Volumetric Panel that can be installed in existing troffers in just minutes. There is no need to access the ceiling plenum or do any work outside of the troffer.

To ensure the right fit for your application, we offer both a 2' x 2' or 2' x 4' panel. We also offer frame options for the standard 15/16" grid as well as a narrow 9/16" grid.

BENEFITS

- Energy savings of up to 70%
- Uniform light from fixture to fixture
- Time/labor savings via easy installation

KEY FEATURES

- 100,000-hour rated life
- 10-year warranty
- Pre-installed safety cables



LED VOLUMETRIC RETROFIT

TECHNICAL PRODUCT INFORMATION

Average Rated Life: 100,000H

CRI: 83

Power Factor: ≥0.9

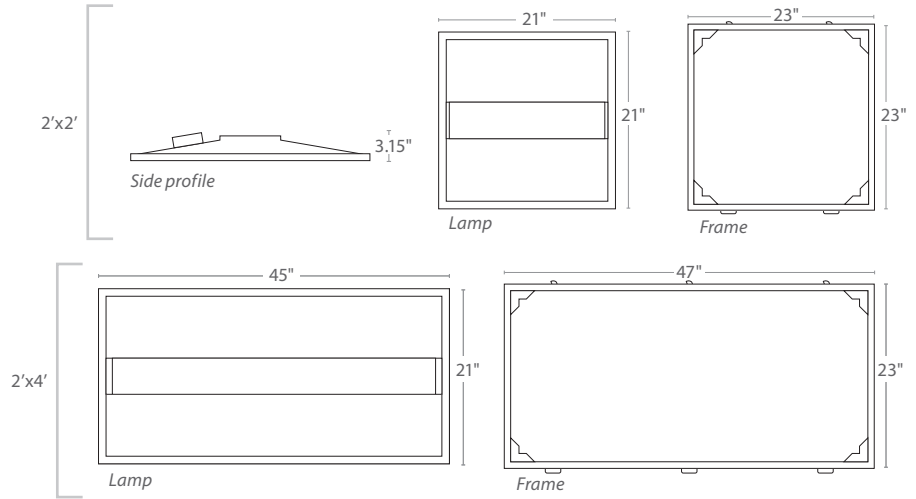
Weight: 2'x2' = 8.175 lbs | 2'x4' = 15.89 lbs.

Beam Angle: 110°

Operating Temperature: -4°F to 113°F

Volts: 120-277

Dimming: 0-10V



HOW TO ORDER

STEP 1: CHOOSE YOUR PANEL

Select the size and color temperature that best fits your application

STEP 2: CHOOSE YOUR FRAME SIZE

What type of grid do you have?
Standard 15/16" or Narrow 9/16"

STEP 3: VENTED OR NON-VENTED

Vented frames are available only for the 15/16" frame.

Please note: All orders must include one item number for the panel and one item number for the frame.

2' X 2' AND 2' X 4' PANELS

STEP 1

TYPE	WATTS	DESCRIPTION	ITEM NUMBER	CCT (K)	LUMINAIRE LUMENS	DIMMING	DLC PREMIUM
2 x 2	29	2X2 LED Volumetric Retrofit w/o frame 29W 3500K	VR29UQT235DLPA	3500	3625	0-10V	YES
2 x 2	29	2X2 LED Volumetric Retrofit w/o frame 29W 4000K	VR29UQT240DLPA	4000	3625	0-10V	YES
2 x 2	29	2X2 LED Volumetric Retrofit w/o frame 29W 5000K	VR29UQT250DLPA	5000	3625	0-10V	YES
2 x 4	39	2X4 LED Volumetric Retrofit w/o frame 39W 3500K	VR39UQT435DLPA	3500	4875	0-10V	YES
2 x 4	39	2X4 LED Volumetric Retrofit w/o frame 39W 4000K	VR39UQT440DLPA	4000	4875	0-10V	YES
2 x 4	39	2X4 LED Volumetric Retrofit w/o frame 39W 5000K	VR39UQT450DLPA	5000	4875	0-10V	YES

PART NUMBER MATRIX

XX (PRODUCT FAMILY)	XX (WATTAGE)	X (VOLTAGE)	X (CONNECTOR)	XX (SHAPE)	XX (CCT)	XX (DIMMING)	X (DLC LISTING)	X (FRAME OPTION)
VR = Volumetric Retrofit	29 = 29 watts	U = 120-277V	Q = Quick Connect	T2 = 2x2	35 = 3500K	DL = 0-10V Dimming	P=Premium	A = Panel Only
	39 = 39 watts			T4 = 2x4	40 = 4000K			
					50 = 5000k			

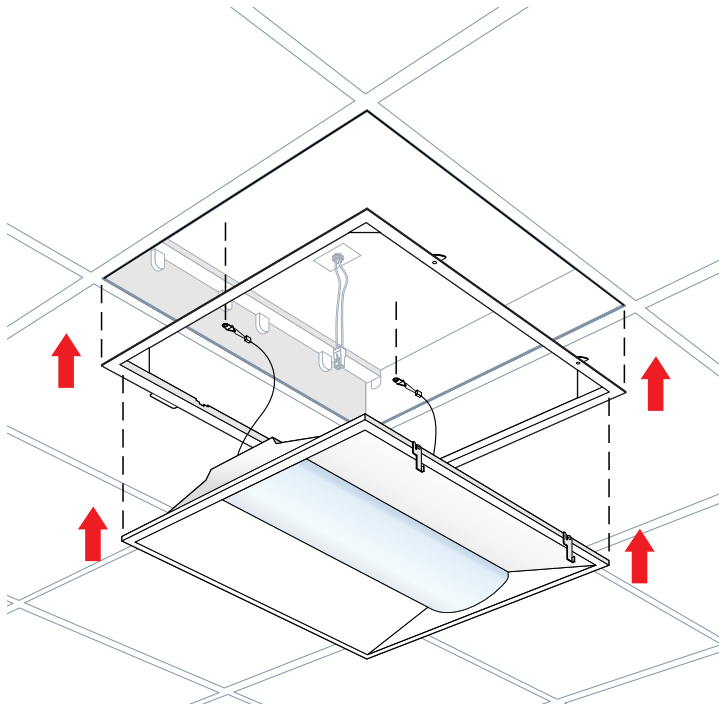
2' X 2' AND 2' X 4' FRAMES

STEP 2 & 3

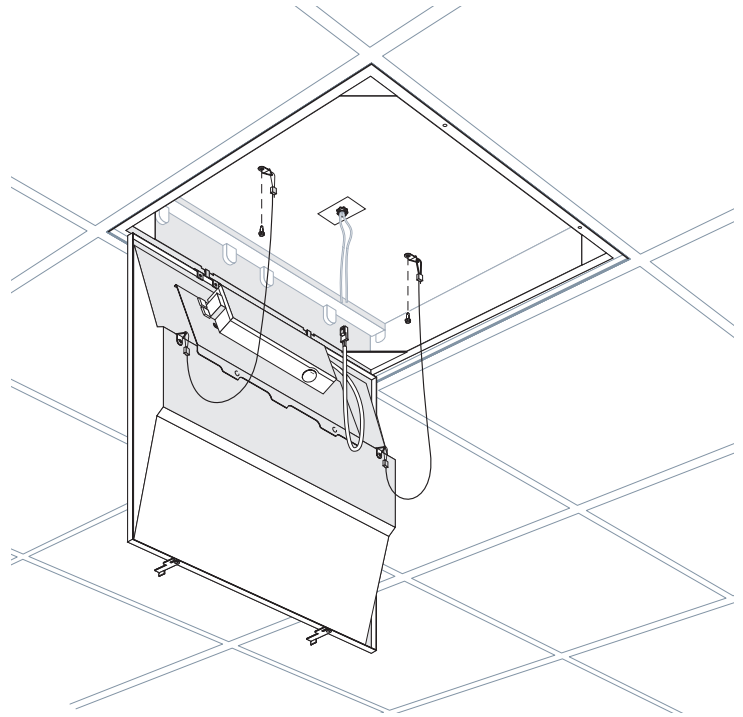
TYPE	DESCRIPTION	ITEM NUMBER
2 x 2	2X2 LED Panel Retrofit frame for use with standard 15/16th inch grid	MFA32
2 x 2	2X2 LED Panel Retrofit vented frame for use with standard 15/16th inch grid	MFA36
2 x 2	2X2 LED Panel Retrofit frame for use with narrow 9/16th inch grid	MFA24
2 x 4	2X4 LED Panel Retrofit frame for use with standard 15/16th inch grid	MFA33
2 x 4	2X4 LED Panel Retrofit vented frame for use with standard 15/16th inch grid	MFA37
2 x 4	2X4 LED Panel Retrofit frame for use with narrow 9/16th inch grid	MFA25

LED VOLUMETRIC RETROFIT

INSTALLATION OVERVIEW

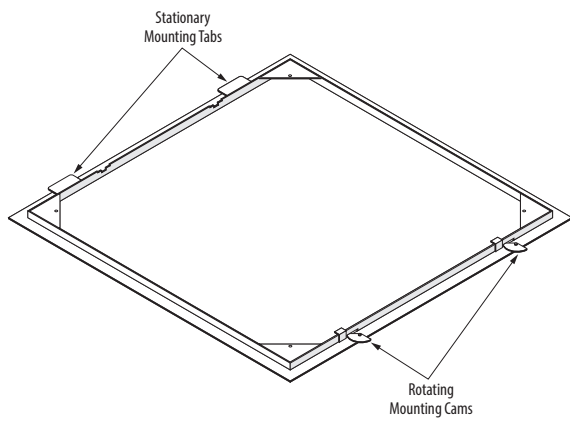


Order of installation



Panel hangs from frame for easy wiring

Mounting Frame



LED Panel

