

## LED PAR

PROFESSIONAL SERIES

PAR20, PAR30, PAR30LN & PAR38



### Cutting Edge Technology, Classic Ambiance.

LED PAR PROFESSIONAL SERIES manages the heat of the lamp to increase reliability and light output. They also feature the latest LED chip-on-board (COB) technology which results in consistent color, and a centrally-located light source that looks like halogen. In conjunction with our optimally-designed optics lens, they provide comfortable, glare-free lighting. LITETRONICS dimming system ensures flicker-free dimming on a wide variety of dimmers. Since LED lighting needs to operate efficiently as well as look great, LED PAR PROFESSIONAL SERIES is designed to replace up to a 90-watt halogen, while saving 82% in energy costs. LITETRONICS LED PAR PROFESSIONAL SERIES: cuttingedge lighting with classic appeal.

### Benefits

- LED PAR PROFESSIONAL SERIES manages the heat of the lamp to increase reliability and light output
- Chip-on-board (COB) technology
- Dimmable
- 25,000-hour life
- Up to 82% energy savings compared to halogen
- Lightweight; won't weigh down fixtures
- 3-year warranty

### Markets & Applications

- Cinema
- Restaurants
- Hospitality
- Retail
- Dimmable Fixtures
- Track Lighting
- Recessed Cans

### Comparison Chart

LED	=	HALOGEN
7-watt	=	35 watts
12-watts	=	55-watts
15-watts	=	75-watts
17-watts	=	90-watts

**LITETRONICS®**

6969 W. 73rd St.

Bedford Park, IL 60638

[www.Litetronics.com](http://www.Litetronics.com)

# LED PAR

PROFESSIONAL SERIES

PAR20, PAR30, PAR30LN & PAR38

## Technical Product Information

**Voltage:** 120V

**Average Rated Life:** 25,000H\*

**Line Frequency:** 60Hz

**CRI:** 83

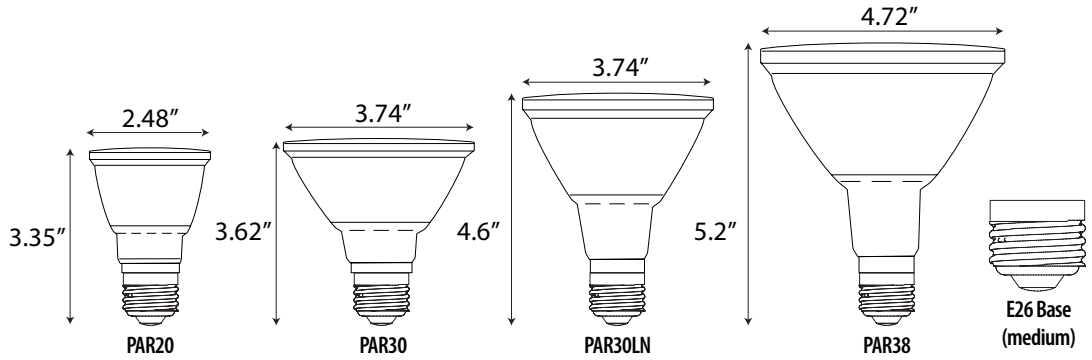
**Power Factor:** ≥0.9

**Operating Temp:** -5° to 110°F

**Base:** Medium

**Case Quantity:** 6

**Dimmable:** Yes



## Compatible Dimmers

Available online at: <https://www.litetronics.com/webfoo/wp-content/uploads/LITETRONICS-DimmerCompatibilityList.pdf>

## Product Specifications

SHAPE	WATTS	DESCRIPTION	ORDERING CODE	CCT (K)	LED PAR LUMENS	BEAM SPREAD	BEAM ANGLE	CBCP
PAR20	7	7W PAR20 MED 120V FL 2700K 25,000H DIM	LP07560FL2D	2700	470	FLOOD	40	1074
	7	7W PAR20 MED 120V FL 3000K 25,000H DIM	LP07560FL4D	3000	470	FLOOD	40	1127
	7	7W PAR20 MED 120V WF 3000K 25,000H DIM	LP07560WF4D	3000	470	WIDE FLOOD	60	500
	7	7W PAR20 MED 120V FL 4000K 25,000H DIM	LP07560FL6D	4000	500	FLOOD	40	1206
PAR30	12	12W PAR30 MED 120V FL 3000K 25,000H DIM	LP12562FL4D	2700	850	FLOOD	40	1976
PAR30LN	12	12W PAR30LN MED 120V FL 2700K 25,000H DIM	LP12564FL2D	2700	850	FLOOD	40	1976
	12	12W PAR30LN MED 120V FL 3000K 25,000H DIM	LP12564FL4D	3000	850	FLOOD	40	2140
PAR38	15	15W PAR38 MED 120V FL 4000K 25,000H DIM	LP15566FL6D-1	4000	1124	FLOOD	40	2387
	15	15W PAR38 MED 120V WF 2700K 25,000H DIM	LP15566WF2D-1	2700	1050	WIDE FLOOD	60	1276
	15	15W PAR38 MED 120V FL 3000K 25,000H DIM	LP15566FL4D-1	3000	1050	FLOOD	40	2387
	17	17W PAR38 MED 120V FL 3000K 25,000H DIM WL	LP17566FL4D-W	2700	1300	FLOOD	40	3156

