

# LED MiniReflectors

PROFESSIONAL SERIES

MR11, MR16



**The Next Small Thing in LED.**

LITETRONICS LED MINI REFLECTORS PROFESSIONAL SERIES, like all LITETRONICS LED PARs, feature crisp white light, and a smooth beam pattern. The MR16's unique heatsink system ensures the bulb stays cool to maintain a high Lumen Per Watt efficacy. LED MINI REFLECTORS replace 20-38 watt halogen bulbs using less than 20% of energy typically required with halogen, and lasts 3 times as long as halogen light bulbs.

**Benefits**

- 25,000-hour life
- Up to 82% energy savings compared to halogen
- Fits into gimbal rings and standard fixtures
- RoHs Compliant
- 3-year warranty

**Markets & Applications**

- Restaurants
- Hospitality
- Retail
- Track Lighting
- Recessed Cans
- Landscape Lighting

**Comparison Chart**

LED	=	HALOGEN
3.5-watt	=	20-watt
7-watt	=	38-watt

**LITETRONICS®**

6969 W. 73rd St.  
Bedford Park, IL 60638  
[www.Litetronics.com](http://www.Litetronics.com)

# LED MiniReflectors

PROFESSIONAL SERIES

## MR11, MR16

### Technical Product Information

**Average Rated Life:** 25,000H\*

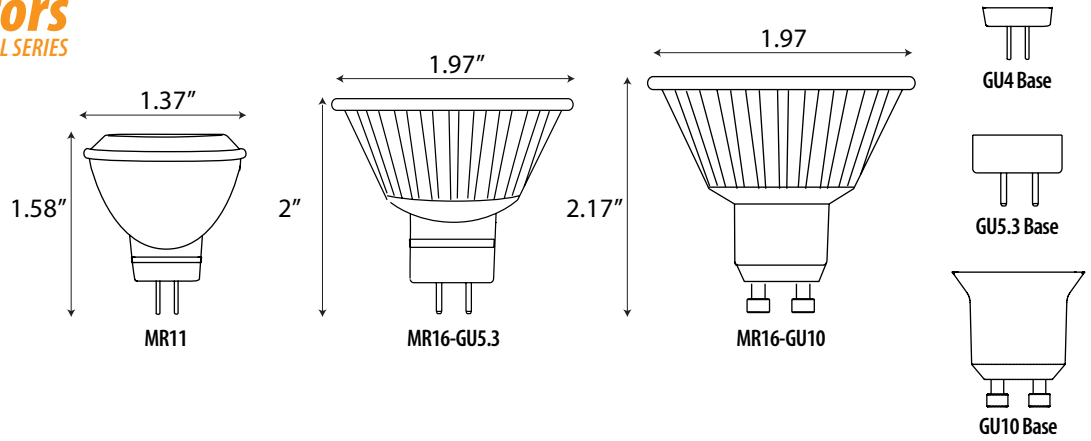
**Line Frequency:** 60Hz

**CRI:** 83

**Power Factor:** ≥0.9

**Operating Temp:** -5° to 110°F

**Beam Spread:** Flood



### Compatible Dimmers

Available online at: <https://www.litetronics.com/webfoo/wp-content/uploads/LITETRONICS-DimmerCompatibilityList.pdf>

### Product Specifications

SHAPE	WATTS	VOLTS	BASE	DESCRIPTION	ORDERING CODE	CCT (K)	LED MR LUMENS	BEAM ANGLE	CBCP	CASE QUANTITY	DIMMABLE
MR11	3.5	12V	GU4	3.5W MR11 GU4 12V FL 2700K 25,000H	LP3EJ54FL2	2700	150	25	775	10	NO
	3.5	12V	GU4	3.5W MR11 GU4 12V FL 3000K 25,000H	LP3EJ54FL4	3000	150	25	775	10	NO
MR16	7	12V	GU5.3	7W MR16 GU5.3 12V FL 3000K 25,000H	LP07B56FL4	3000	400	40	950	6	NO
	7	12V	GU5.3	7W MR16 GU5.3 12V FL 4000K 25,000H	LP07B56FL6	4000	430	40	1017	6	NO
	7	12V	GU5.3	7W MR16 GU5.3 12V FL 5000K 25,000H	LP07B56FL7	5000	456	40	1083	6	NO
MR16	7	120V	GU10	7W MR16 GU10 120V FL 3000K 25,000H DIM	LP07A56FL4D	3000	450	40	1139	6	YES
	7	120V	GU10	7W MR16 GU10 120V FL 4000K 25,000H DIM	LP07A56FL6D	4000	482	40	1219	6	YES

