

## LED ROUND HIGH BAY PL



The LED Round High Bay PL delivers top of the line efficiency, durability and versatility, resulting in dramatic energy savings, low maintenance and adaptability across a wide range of high ceiling applications.

The PL's unique look sets it apart from the competition, but there's more to this look than aesthetics. The polycarbonate prismatic lens distributes even illumination while minimizing glare, while also guaranteeing long term durability. The die cast aluminum heat sink separates the LEDs from the driver, creating enhanced air flow and better efficiency.

For applications where motion sensing or daylight harvesting are needed, the LED Round High Bay PL is the solution. Our built-in sensor option includes a PIR sensor that enables customization to fit your needs, adjusting settings such as brightness, sensitivity, daylight harvesting, etc. To further simplify the customization process, all settings can be adjusted from the ground via our Sensor Remote Control.

### KEY FEATURES

- 100,000-hour rated life
- 10-year warranty
- DLC Premium
- Polycarbonate prismatic lens
- PIR sensor option
- IP69K
- IK10
- 0-10V dimming
- Hook, pendant or yoke mounting
- 10' cord
- Safety cable

### MARKETS

- Warehouse & storage
- Industrial facilities
- Sports facilities & gyms
- Manufacturing facilities
- Retail centers

### APPLICATIONS

- High ceilings
- Task lighting



# LED ROUND HIGH BAY PL

## SPECIFICATIONS

**Average Rated Life:** 100,000H

**CRI:** 83

**Power Factor:** ≥0.9

**Mounting:** Snap hook

**Beam Angle:** 120°

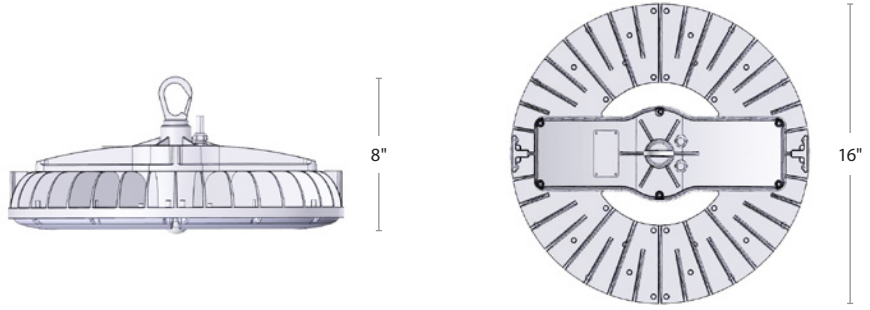
**Surge Protection:** 3KV

**Operating Temperature:** -10°F to 115°F

**Volts:** 120-277

**Dimming:** 0-10V

**Weight:** 15 lbs.



## ORDERING INFORMATION

### STANDARD MODEL WITHOUT SENSOR

WATTS	VOLTS	ORDERING CODE	DESCRIPTION	CCT (K)	LUMENS
115	120-277	HBC115W40DLP	115W 120-277V HIGH BAY IN 4000K	4000	16,100
		HBC115W50DLP	115W 120-277V HIGH BAY IN 5000K	5000	16,100
175		HBC175W40DLP	175W 120-277V HIGH BAY IN 4000K	4000	24,500
		HBC175W50DLP	175W 120-277V HIGH BAY IN 5000K	5000	24,500
240		HBC240W40DLP	240W 120-277V HIGH BAY IN 4000K	4000	33,600
		HBC240W50DLP	240W 120-277V HIGH BAY IN 5000K	5000	33,600

### STANDARD MODEL WITH SENSOR

WATTS	VOLTS	ORDERING CODE	DESCRIPTION	CCT (K)	LUMENS
115	120-277	HBC115W50DLPS	115W 120-277V HIGH BAY IN 5000K WITH SENSOR	5000	16,100
175		HBC175W50DLPS	175W 120-277V HIGH BAY IN 5000K WITH SENSOR	5000	24,500
240		HBC240W50DLPS	240W 120-277V HIGH BAY IN 5000K WITH SENSOR	5000	33,600

### CORROSION RESISTANT MODEL

WATTS	VOLTS	ORDERING CODE	DESCRIPTION	CCT (K)	LUMENS
115	120-277	HBC115W50DLPT	115W 120-277V CORROSION RESISTANT HIGH BAY IN 5000K	5000	16,100
175		HBC175W50DLPT	175W 120-277V CORROSION RESISTANT HIGH BAY IN 5000K	5000	24,500
220		HBC220W50DLPT	220W 120-277V CORROSION RESISTANT HIGH BAY IN 5000K	5000	30,800

### HIGH VOLTAGE MODEL

WATTS	VOLTS	ORDERING CODE	DESCRIPTION	CCT (K)	LUMENS
175	277-480	HBC175W50DLPHV	175W 277-480V HIGH BAY IN 5000K	5000	24,500
240		HBC240W50DLPHV	240W 277-480V HIGH BAY IN 5000K	5000	33,600

# LED ROUND HIGH BAY PL

## ACCESSORIES

### SENSOR REMOTE CONTROL

ORDERING CODE	DESCRIPTION	USAGE
SCR053	REMOTE CONTROL FOR SENSOR	<p>Used to fine-tune sensor settings after installation, from the ground.</p> <ul style="list-style-type: none"> <li>Brightness - Set the output level (in %) of connected lighting during occupancy</li> <li>Sensitivity - Set the occupancy sensing sensitivity</li> <li>Hold time - Set the time that the sensor will hold after the area has been vacated</li> <li>Daylight harvesting - Set the threshold of natural light level</li> <li>Stand-by dim/time - Set the light level/time required after the hold time has elapsed</li> <li>Ability to pre-program 4 separate modes which can be saved and transferred from one fixture to another</li> </ul>



### PENDANT MOUNTING COVER

ORDERING CODE	DESCRIPTION	USAGE
HBCAM20	PENDANT MOUNTING COVER	Used to accommodate pendant mount installations with 3/4" NPT pipe

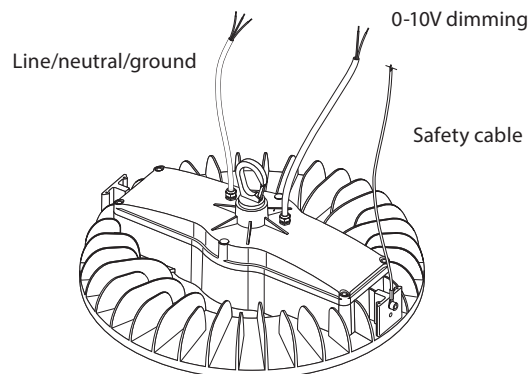
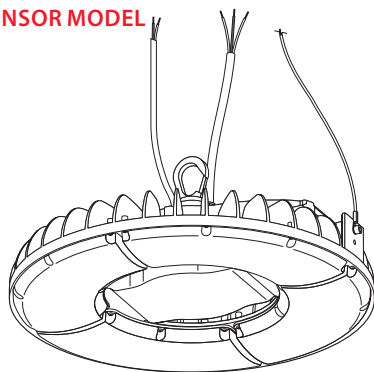


### WHAT COMES IN THE BOX

- Built in 0-10V dimming wires (1' (non-sensor model only)
- Snap hook
- Input wire (10')
- Safety cable (5') and bolt
- 2 waterproof wire nuts (non-sensor model only)
- Installation Instructions

## PRODUCT OVERVIEW

### NON-SENSOR MODEL



### SENSOR MODEL

