

LED NSF HIGH BAY

50W | 100W | 150W



An LED High Bay solution for when sanitation is top priority.

Certain environments require a heightened level of sanitation. These areas can often include grease, oil, smoke, food particles or dust – all contributing to factors that could lead to bacteria growth and contamination. To meet strict sanitary requirements, an area may be subject to daily wash downs and special cleaning schedules.

The LED NSF High Bay is the perfect solution to demanding environments. As an NSF (National Sanitation Foundation) certified product, with an IP69k rating, this luminaire is dust tight and resistant to high pressure steam wash downs. It's smooth, stylish outer shell eliminates exposed hardware and crevices where moisture and bacteria can accumulate to cause contamination issues. It is also corrosion resistant – powder coated with a stainless steel mounting hook, making it beneficial in areas where salt or chemicals are present.

As a direct replacement for HID, metal halide or fluorescent bulbs, this LED high bay represents up to a 70% reduction in energy costs. With a 50,000 hour rated life, backed by a 5 year warranty, you're guaranteed years of excellent LED light for visual acuity, low maintenance and dramatic energy savings.

BENEFITS

- 50,000 hour rated life
- 5 year warranty
- NSF rated
- IP69K
- Safety Cable pre-installed
- Polycarbonate lens
- Dimmable 0-10V (100, 150W)
- Corrosion resistant
- Wet location rated
- Waterproof twist-connect wiring

MARKETS & APPLICATIONS

- Food & beverage processing
- Farming & agricultural facilities
- Commercial kitchens
- Power plants
- Marinas
- Manufacturing facilities



LED NSF HIGH BAY 50W | 100W | 150W

Technical Product Information

Average Rated Life: 50,000H

CRI: >80

Power Factor: ≥0.9

Base: Waterproof Twist Connector

Mounting: Round Stainless Steel Hook

Weight: 50W=12.3lbs. | 100W=12.7lbs. | 150W=15.5lbs.

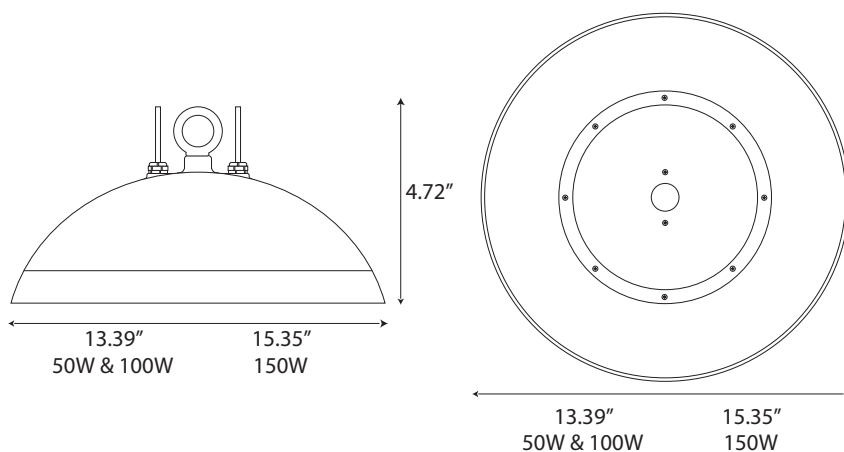
Beam Angle: 120°

Surge Immunity: Line-line 2KV, Line-earth 4KV

Operating Temperature: -30°C to 45°C

Volts: 120-277

Dimming: 0-10V



ORDERING INFORMATION

CLEAR GLASS

WATTS	VOLTS	ORDERING CODE	DESCRIPTION	CCT (K)	HIGH BAY LUMENS	DIMMING
50	120-277	HBF050W740P	50W WHT LED HB NSF 120-277V PCCL 4000K DLC PREM	4000	6,500	0-10V
		HBF050W750P	50W WHT LED HB NSF 120-277V PCCL 5000K DLC PREM	5000	6,500	
100		HBF100W740DLP	100W WHT LED HB NSF 120-277V PCCL 4000K 0-10V DIM DLC PREM	4000	13,000	
		HBF100W750DLP	100W WHT LED HB NSF 120-277V PCCL 5000K 0-10V DIM DLC PREM	5000	13,000	
150		HBF150W740DLP	150W WHT LED HB NSF 120-277V PCCL 4000K 0-10V DIM DLC PREM	4000	19,500	
		HBF150W750DLP	150W WHT LED HB NSF 120-277V PCCL 5000K 0-10V DIM DLC PREM	5000	19,500	

PART NUMBER MATRIX

XX (PRODUCT FAMILY)	XX (WATTAGE)	X (COLOR)	XX (LENS)	XX (CCT)	XX (DIMMING)	X (DLC)
HBF = NSF HIGH BAY	50 = 50W	B = BLACK	7 - Polycarbonate Clear-45°	40 = 4000K	DL = 0-10V Dimming	Blank=Standard
	100 = 100W	W = WHITE		50 = 5000K		P=Premium
	150 = 150W					