

LED HIGH BAY - SL

STANDARD LIFE



The LED Round High Bay - SL is an easy LED upgrade for your high ceiling environment, delivering increased lumen output, energy efficiency and cost savings under a 5 year warranty and 50,000 hour rated life.

Certified as a DLC Premium product, this luminaire delivers up to 145 LPW, at a 110° beam angle, for uniform, circular light distribution. Various lens packages are available, offering the perfect solution to your specific application. An optional microwave motion sensor increases efficiency, enabling occupancy sensing and daylight harvesting, further reducing operating costs over the life of the luminaire.

This LED High Bay is designed for a quick, easy installation. It's circular design allows it to align with pre-existing HID mounting layouts, while it's range of mounting accessories enable it to adapt to each custom environment.

BENEFITS

- 5 year warranty
- 50,000 hour rated life
- DLC Premium rating
- Up to 146 LPW
- Uniform circular light distribution
- Waterproof IP66 rating
- Light weight and compact
- Optional PIR sensor for proximity sensing available
- 0-10V dimming
- High Center Beam
Candle Power

MARKETS

- Retail
- Warehouse/storage
- Industrial
- Gymnasiums
- Transit facilities
- Garages

APPLICATIONS

- High ceilings
- Task lighting



LED HIGH BAY - SL

TECHNICAL PRODUCT INFORMATION

Average Rated Life: 50,000H

CRI: 84

Power Factor: ≥0.9

Base: Waterproof Twist Connector

Mounting: Snap lock hook

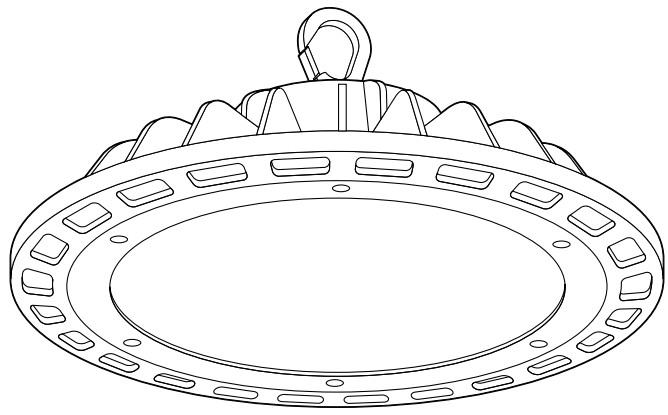
Weight: 100W & 150W: 16 lbs | 200W: 18 lbs

Beam Angle: 110°

Surge Immunity: Line-line 2KV, Line-earth 4KV

Volts: 120-277

Dimming: 0-10V



SIZING

WATTAGE	HEIGHT	DIAMETER
100W	5.91"	12.5"
150W	5.91"	12.5"
200W	5.91"	14"

FOOT CANDLES BY HEIGHT

MOUNTING HEIGHT (IN FEET)	DIAMETER (IN FEET)	100W FOOTCANDLES AT NADIR	150W FOOTCANDLES AT NADIR	200W FOOTCANDLES AT NADIR
16	20.6	21.5	30.1	39.7
20	25.7	13.8	19.2	25.4
24	30.8	9.5	13.4	17.6
28	36.0	7.0	9.8	13.0
32	41.1	5.4	7.5	9.9
36	46.3	4.2	5.9	7.8
40	51.4	3.4	4.8	6.3

HIGH BAY LIFE

AMBIENT TEMP IN °F	100W HOURS L70	150W HOURS L70	200W HOURS L70
77	140,000	140,000	140,000
86	125,000	133,000	125,000
95	103,000	109,500	103,000
104	85,000	90,000	85,000
113	70,000	74,000	70,000
122	58,500	62,000	58,500
131	49,000	52,000	49,000

HIGH BAY REPLACEMENT

WATTS	LUMENS	REPLACE METAL HALIDE	REPLACE FLUORESCENT	MOUNTING HEIGHT
150	22,000	175W & 250W	6 LAMP T5 HO & 8 LAMP T8	20' - 24'
200	29,000	400W MH	8 LAMP T5 HO	24' - 40'

SPACING CRITERION

0-180'	90-270'
1.29	1.29

LED HIGH BAY - SL

ORDERING INFORMATION

CLEAR GLASS

WATTS	VOLTS	ORDERING CODE	DESCRIPTION	CCT (K)	LUMENS	DIMMING
150	120-277	HB150W440DLP	150W 12.5" WHT LED HB PRE 120-277V GCL 4000K 1-10V DIM	4000	22,000	0-10V
		HB150W450DLP	150W 12.5" WHT LED HB PRE 120-277V GCL 5000K 1-10V DIM	5000	22,000	
200		HB200W440DLP	200W 14" WHT LED HB PRE 120-277V GCL 4000K 1-10V DIM	4000	29,000	
		HB200W450DLP	200W 14" WHT LED HB PRE 120-277V GCL 5000K 1-10V DIM	5000	29,000	

FROSTED GLASS

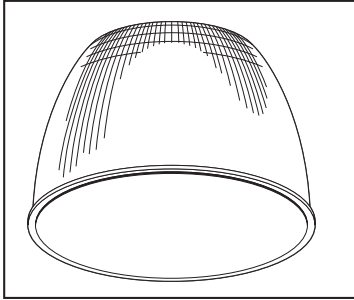
WATTS	VOLTS	ORDERING CODE	DESCRIPTION	CCT (K)	LUMENS	DIMMING
100	120-277	HB100W140DLP	100W 12.5" WHT LED HB PRE 120-277V GFR 4000K 1-10V DIM	4000	13,500	0-10V
		HB100W150DLP	100W 12.5" WHT LED HB PRE 120-277V GFR 5000K 1-10V DIM	5000	13,500	
150		HB150W140DLP	150W 12.5" WHT LED HB PRE 120-277V GFR 4000K 1-10V DIM	4000	20,000	
		HB150W150DLP	150W 12.5" WHT LED HB PRE 120-277V GFR 5000K 1-10V DIM	5000	20,000	
200		HB200W140DLP	200W 14" WHT LED HB PRE 120-277V GFR 4000K 1-10V DIM	4000	26,500	
		HB200W150DLP	200W 14" WHT LED HB PRE 120-277V GFR 5000K 1-10V DIM	5000	2,6500	

PART NUMBER MATRIX

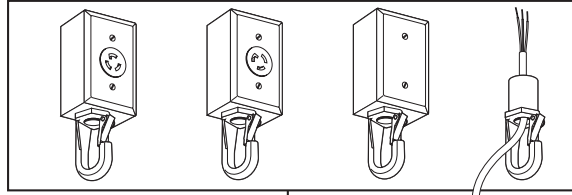
XX (PRODUCT FAMILY)	XX (WATTAGE)	X (COLOR)	XX (LENS)	XX (CCT)	XX (DIMMING)	X (DLC LISTING)
HB = HIGH BAY	100 = 100W	W = WHITE	1 = GLASS FROSTED	40 = 4000K	DL = 0-10V Dimming	P=Premium
	150 = 150W		4 = GLASS CLEAR	50 = 5000K		
	200 = 200W					

LED HIGH BAY - SL

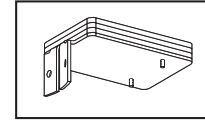
PRODUCT ACCESSORIES



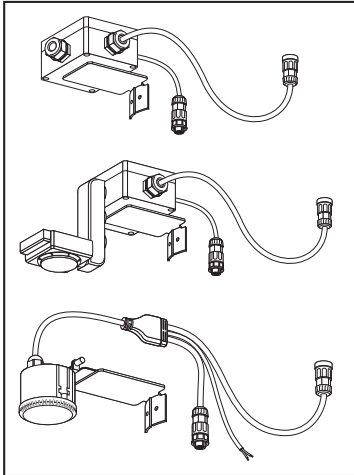
Diffuser Lens



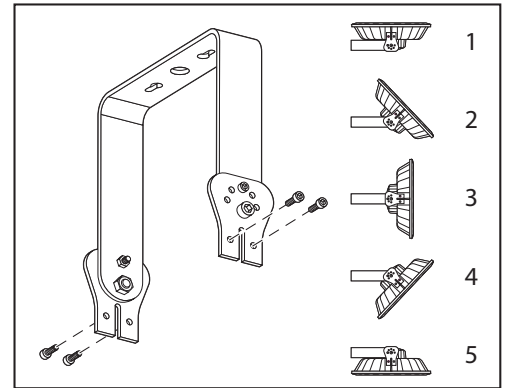
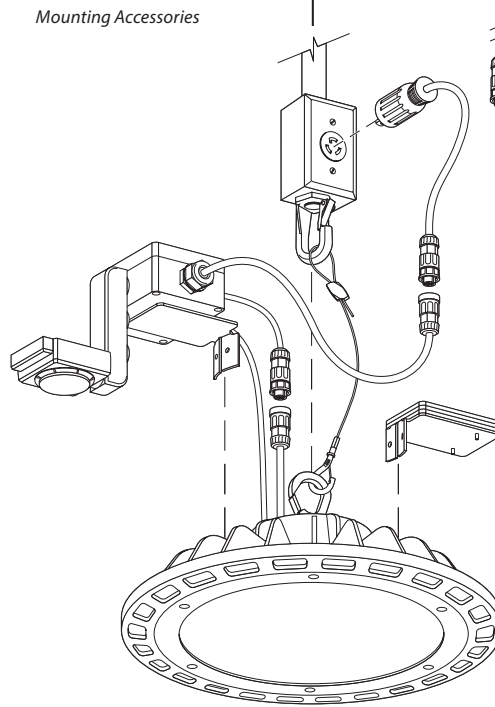
Mounting Accessories



Counter Weight



Junction Box & Sensors



Yoke Mounting



CORD ACCESSORIES

IMAGE	MAX VOLTAGE	ORDERING CODE	DESCRIPTION	QTY/CASE	USAGE
A	120V	HBAC25	15A 120V L5-15P Plug 5' BLK Cord WP Twist Connect	10	This NEMA L5-15P Plug - twist connects with L5-15R receptacle. Other end easily connects with Twist connect of High Bay
B	277V	HBAC21	15A 277V L7-15P Plug 5' BLK Cord WP Twist Connect	10	This NEMA L7-15P Plug - twist connects with L7-15R receptacle. Other end easily connects with Twist connect of High Bay
C	120-277V	HBAC05	15A 120-277V 3 Wires 10' BLK Cord WP Twist Connect	10	Cord is 10' long. Length helps to install High bay away from power. 3 wires connected to junction box. Other end connects with Twist connect of High Bay
D	120-277V	HBAC06	15A 120-277V 3 Wires 10' WHT Cord WP Twist Connect	10	Cord is 10' long. Length helps to install High bay away from power. 3 wires connected to junction box. Other end connects with Twist connect of High Bay
E	120V	HBAC15	15A 120V L5-15P Plug 10' BLK Cord WP Twist Connect	10	This NEMA L5-15P Plug - twist connects with L5-15R receptacle. Other end easily connects with Twist connect of High Bay
F	277V	HBAC17	15A 277V L7-15P Plug 10' BLK Cord WP Twist Connect	10	This NEMA L7-15P Plug - twist connects with L7-15R receptacle. Other end easily connects with Twist connect of High Bay
G	120V	HBAC23	15A 120V 5-15P Plug 5' BLK Cord WP Twist Connect	10	This NEMA 5-15P Plug - connects with 5-15R receptacle. Other end easily connects with twist connect of High Bay

LED HIGH BAY - SL

PRODUCT ACCESSORIES



MOUNTING ACCESSORIES

IMAGE	ORDERING CODE	DESCRIPTION	QTY/CASE	ACCESSORY USE
H	HBAM20	Round Hook 24x42x60 M10	10	Used with 100W High bay instead of standard Snap hook.
I	HBAM21	Round Hook 29x49x69 M12	10	Used with 150 & 200W High bay instead of standard Snap hook.
J	HBAM22	9" x 9" Aluminum Swivel Yoke Bracket Black (fits 200W)	10	Yoke bracket to help aim light at any angle. (5 settings)
K	HBAM23	9" x 9" Aluminum Swivel Yoke Bracket WHITE (fits 200W)	10	Yoke bracket to help aim light at any angle. (5 settings)
L	HBAM35	7" x 9" Aluminum Swivel Yoke Bracket WHITE (fits 150W)	10	Yoke bracket to help aim light at any angle. (5 settings)
M	HBAM26	125V Socket Hub & Junction Box 3/4" Snaphook	10	Connects to NEMA L5-15 plug. Cable can be passed through top of socket hub via hole in snaphook. Used to connect High Bay cable to conduit—3/4" threaded pipe.
N	HBAM27	277V Socket Hub & Junction Box 3/4" Snaphook	10	Connects to NEMA L7-15 plug. Cable can be passed through top of socket hub via hole in snaphook. Used to connect High Bay cable to conduit—3/4" threaded pipe.
O	HBAM28	Pass thru junction box with 3/4" Snaphook	10	Opening at top and bottom allow for internal connecting of cable and provide mechanical fixturing support. Top hole includes 3/4" threaded pipe.
P	HBAM30	5' Safety cable with LOOP AND CABLE LOCK	10	5' cable with loop and adjustable cable lock to set length.
Q	HBAM31	Fixture hook with 3/4" pipe adapter	10	Connects directly to conduit via 3/4" threaded pipe, providing fixturing support.



R



S

SENSOR ACCESSORIES

IMAGE	MAX VOLTAGE	CURRENT CAPACITY	ORDERING CODE	DESCRIPTION	QTY/CASE	USAGE
R	120-347V	4.32-8.33A	HBAS40	PIR Motion Sensor IP 20 with junction box	10	WattStopper HBP-112 High Bay Passive Infrared (PIR) Occupancy Sensors provide control of individual High Bay LED in indoor high and low bay spaces. Includes preconnected junction box.
S	120-277V		HBAS47	Microwave Motion Sensor IP65 120-277V and 0-10V	10	IP65 microwave motion sensor for wet locations consist of a sensor and a lens module and preconnected bracket. Detection area, time delay and daylight threshold can be precisely set via DIP switch



T



U



V



W

Compatible with 200W only.

JUNCTION ACCESSORIES

COUNTER WEIGHT ACCESSORIES

LENS ACCESSORIES

IMAGE	ORDERING CODE	DESCRIPTION	QTY/CASE	ACCESSORY USE
T	HBAJ60	JUNCTION BOX WITH BRACKET	10	Can be mounted directly on High Bay. Can be used as a connection hub with or without sensor. Sensor can be mounted on this. Good for wet location. All cords compatible.
U	HBAJ61	JUNCTION BOX WITH BRACKET AND CORD SPLITTER	10	Can be mounted directly on High Bay. Must be used as a connection hub with sensor. Sensor can be mounted on this. Good for wet location. All cords compatible.
V	HBAW70	COUNTER WEIGHT WITH BRACKET FOR SENSOR ACCESSORIES	10	This counter weight provides balance to the High Bay fixture after junction box or sensor accessories have been installed.
W	HBAD80	90 Degree PC Clear Reflector lens	10	This lens can be easily mounted to the High Bay fixture and allows 90 degree reflection.