

23Watt LED Emergency Battery Backup for LED Retrofits & Luminaires



For Ceiling Heights of up to 23 feet.

The new EB23UQ (Standard) & EB23UQB (Remote Mount) Emergency Battery Backup enables many of our LED retrofits and luminaires to be used for emergency situations. In the event of a power failure, the LED Emergency Battery Backup automatically switches on, delivering 23W of power to the lamp.

The field programmable unit provides 100 lumens/watt up to 2,300 lumens for 90 minutes with no light degradation. Maximum lumen output is determined by the wattage of the retrofit or luminaire. The unit contains a battery, charger and a driver module in a single compact design. Powerful, rare earth magnets secure the LED Emergency Battery Backup to the fixture freeing the installers hands for easy installation.

Benefits

- Meets or exceeds all National Electrical Code and Life Safety Code Emergency Lighting Requirements for ceiling heights up to 23 feet
- Works with all 0/1-10V Dimmable LED retrofits and luminaires
- Works with non-dimmable and bi-level LED retrofit units up to 22 watts
- Usable with or without dimming modules
- No light degradation throughout 90-minute runtime
- Can be mounted up to 200 feet away from the retrofit or luminaire
- 5 Year Limited Warranty
- Installs in minutes
- UL Listed

Markets & Applications

- Restaurants
- Retail
- Schools
- Hospitals
- Office Lighting
- Corridors
- Stairwells

LITETRONICS®

6969 W. 73rd St.
Bedford Park, IL 60638
www.Litetronics.com

23 Watt LED Emergency Battery Backup

for LED Retrofits & Luminaires

Technical Product Information

Average Rated Life: 50,000H

Output Voltage: 150Vdc

Output Current: 160mA

Output Power: 23 Watts

Lumens: 2300

Emergency Operation: 90 minutes

Input Frequency: 50/60Hz

Reliable Operating Temperatures: 32° to 131°F

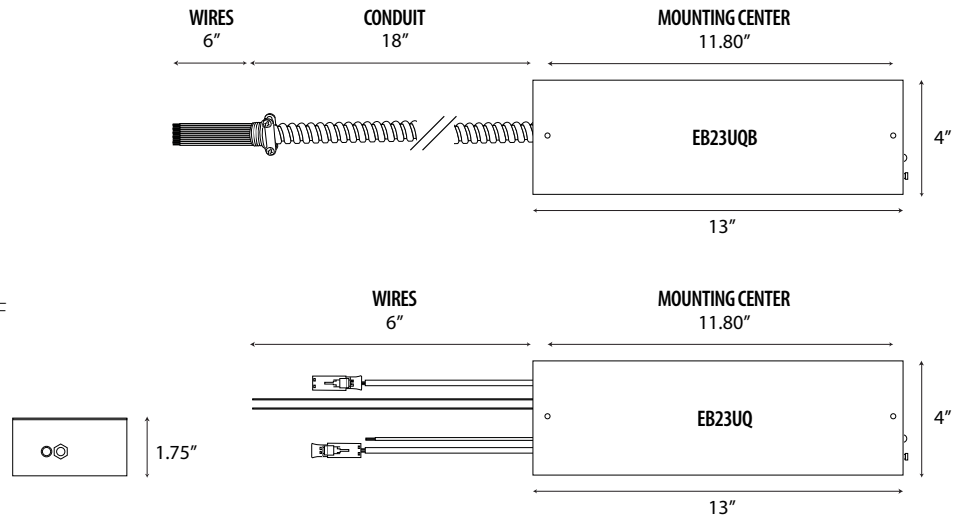
Battery: Ni-MH 12V 4.5AH

Power Factor: ≥0.95

Recharge: 24 hours

Weight: 4.1lbs.

Case Quantity: 4



What's included in the box with LED Emergency Battery Backup (EB23UQ):

Emergency Battery Pack with Magnets • 1 Female Quick Disconnect(attached to male end) • 1 Male Disconnect(attached to female end) • 3 Self-tapping Screws • 4 Wire Nuts • 1 Strain Relief Bushing • 1 Junction Box • Installation Instructions

What's included in the box with LED Emergency Battery Backup (EB23UQB):

Emergency Battery Pack with Magnets and 18" Conduit • 1 Test Switch • 1 LED Indicator and Holder • 2 Self-tapping Screws • 12 Wire Nuts • Installation Instructions

Product Specifications

WATTS	VOLTS	DESCRIPTION	ORDERING CODE	COMPATIBLE WITH
23	120-277	23W 120-277V WH QC EMERGENCY BATTERY BACKUP	EB23UQ	SEE BELOW
23	120-277	23W 120-277V WH 18" CONDUIT EMERGENCY BATTERY BACKUP	EB23UQB	SEE BELOW
-	12	EMERGENCY BATTERY ACCESSORY 4500MAH 12V	EBA45-12V	EB23UQ & EB23UQB

EB23UQ is compatible with Litetronics Magnetic Retrofits:

LED Retrofit 0-10V Dimming:

RF50UQT4XXDL
RF32UQT4XXDL
RF32UQT1XXDL
RF32UQT2XXDL
RF16UQT1XXDL
RF16UQT1XXCDL
(2) RF32UQT1XXCDL

Note: Above units usable with or without companion dimming module.

LED Retrofit Non-Dimming:

RF16UQT1XXC
RF22UQT2XX

LED Retrofit Bi-Level:

RF32UQT2XXB
RF50UQT4XXB

EB23UQB is compatible with Litetronics Luminaires & Retrofits:

LED Strip Fixtures:

SF24UQS4XXDL
SF30UQS4XXDL
SF40UQS4XXDL
SF40UQS8XXDL
SF50UQS8XXDL
SF64UQS8XXDL

LED Strip Retrofits:

SR24UQS4XXDL
SR30UQS4XXDL

LED Volumetric Retrofits:

VR29UQT2XXDLP
VR39UQT4XXDLP

LED Flat Panels:

FP030UF1XXDL
FP030UF1XXDLP
FP030UF2XXDL
FP030UF2XXDLP
FP040UF2XXDL
FP040UF4XXDLP
FP050UF4XXDL
FP050UF4XXDLP

LED Flat Panel Retrofits:

RP29UQT2XXDLP
RP39UQT4XXDLP

LED Linear High & Low Bays:

LLB075UK2XXDL
LHB110UK2XXDL
LHB185UM2XXDL

