

LED EXIT SIGN COMBO LIGHT UNIT

RED-GREEN WITH 2 SQUARE 1.2W LAMPS

PROJECT:	
CATALOG #	
TYPE:	DATE:

DESCRIPTION

The Litetronics LED Exit Sign Combo Light Unit delivers dependable, high visibility egress illumination with durable housing and dual adjustable square lamps. Delivering crisp 6500K daylight illumination while consuming only 6W, ensuring high efficiency and reliable performance, and UL924 certification ensures full life safety compliance.

Installs fast for wall or ceiling mounting, with left/right punch-out arrows, removable faceplates for double-face configuration, and 2 adjustable square lamps.

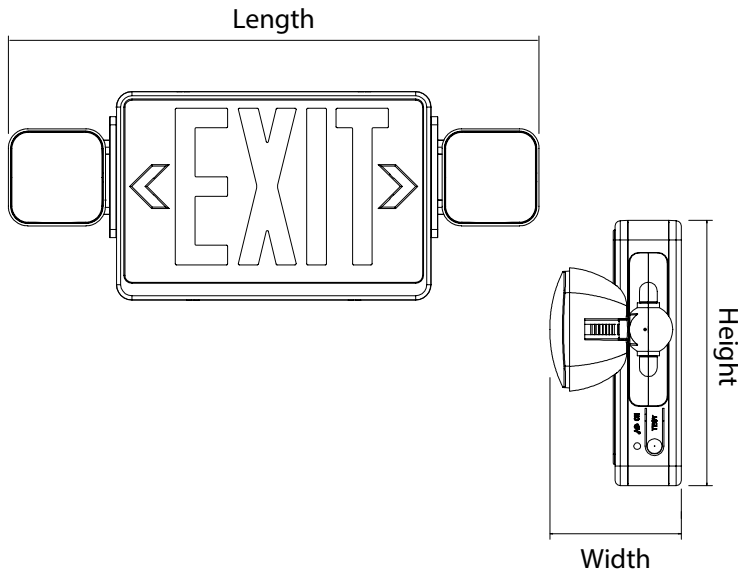
The Litetronics LED Exit Sign Combo Light Unit offers long term value and robust performance across offices, retail, hospitality, schools, hospitals, multi-family, and more.

MARKETS

- Commercial & Office
- Schools, Campuses, Day Care
- Car Dealership
- Retail
- Event Centers
- Warehouses, manufacturing plants, distribution centers
- Hospitality
- Healthcare

DIMENSIONS / WEIGHT

Order Code	Length	Width	Height	Weight
EXCLURG2SQ	20.27"	3.93"	7.95"	3.52 lbs.



FEATURES & ACCESSORIES

- 120-277V
- Damp location rated
- 6500K CCT
- UL924 Certified
- 5-Year Warranty
- Wall or ceiling mounting kit
- Includes: 2 Faceplates, 2 Green lens, 2 Red lens (pre-installed), Mount kit
- Adjustable lamps
- Manual push button testing
- Ni-Cad Battery

CERTIFICATIONS



SPECIFICATIONS

Warranty: 5 years

PERFORMANCE

Operating temp: 32°F to 104°F (0°C to 40°C)

Efficacy (LPW): N/A

CRI: ≥80

ELECTRICAL

Input voltage: 120-277V

Input frequency: 50/60Hz

Battery Type: Ni-Cad

OPTICAL

Lens: Polycarbonate

UGR: N/A

PHYSICAL

Finish: N/A

Color: White

Housing: Plastic

INDUSTRY STANDARDS/RATINGS

IP: 20

Location: Damp

UL: UL924

FCC: Yes

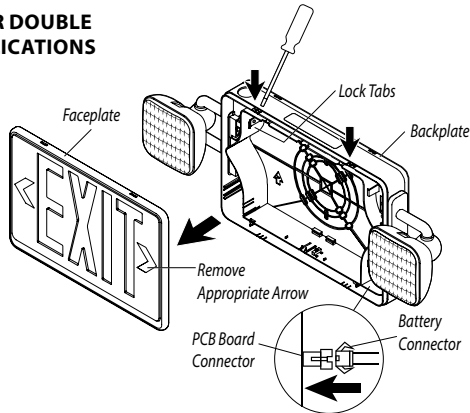
ORDERING INFORMATION

Main Fixture

Ordering Code	Description	Watts	Volts	CCT (K)
EXCLURG2SQ	LED Exit Sign Combo Light Unit Red-Green with 2 Square 1.2W Lamps	6	120-277V	6500

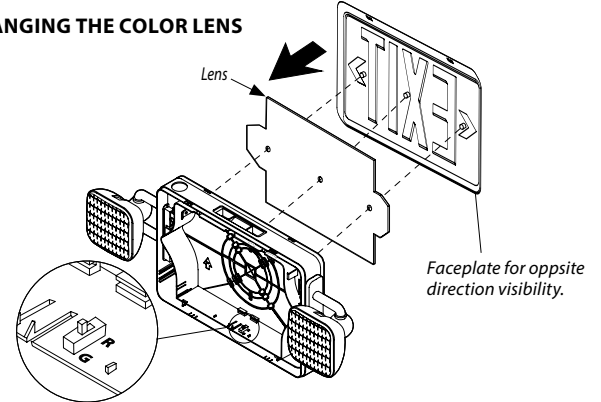
PRODUCT OVERVIEW AND INSTALLATION

SINGLE OR DOUBLE SIDE APPLICATIONS



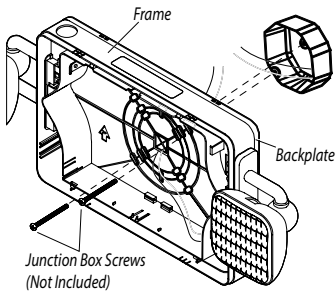
For double sided visibility, just swap the backplate with the included second faceplate —ideal for ceiling installations. Designed for fast setup and flexible mounting, this system ensures clear, dependable exit guidance wherever you need it.

CHANGING THE COLOR LENS



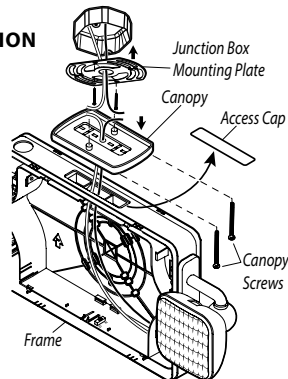
Easily change colors in three simple steps: remove the preinstalled red lens, insert the vibrant green lens, and switch the color selector to the 'G' position for brilliant, high clarity performance.

JUNCTION BOX INSTALLATION



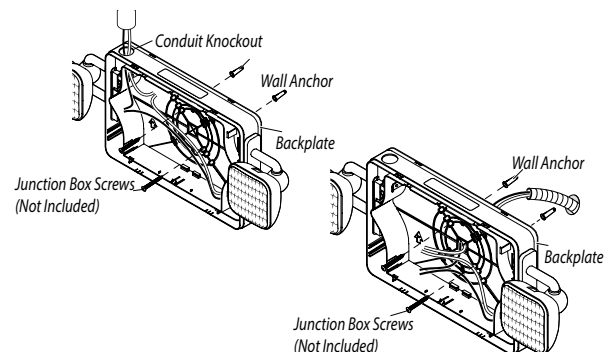
A streamlined junction box mount installs in minutes—no specialty tools, no hassle ensuring a secure, professional result every time.

CEILING INSTALLATION



Quick-release access caps and a smooth lock canopy make wiring and setup effortless, giving installers more versatility. Once aligned, the mounting plate secures easily with standard hardware—saving time and streamlining the entire install.

WALL INSTALLATION



Routes power cleanly through the top or rear knockout and uses the backplate itself as a drill template, so two anchor points and included screws deliver a fast, rigid, professional installation.

Disclaimer: Specifications are subject to change without notice. While Litetronics makes every effort to ensure accuracy, we do not guarantee the completeness or reliability of the information provided. For the most current product data, please visit www.litetronics.com.