

LED EXIT SIGN COMBO

RED-GREEN WITH 2.0W BAR LIGHT

PROJECT:	
CATALOG #	
TYPE:	DATE:

DESCRIPTION

The Litetronics LED Exit Sign Combo delivers durable, code-compliant life-safety performance with bright 6500K LEDs, 120–277V universal input, and UL 924 certification.

Installs fast for wall, end or ceiling mount, with left/right punch-out arrows, removable faceplates for double-face configuration, and an adjustable/rotatable LED bar.

The Litetronics LED Exit Sign Combo delivers next level performance for a wide variety of commercial indoor applications, such as office spaces, schools, hospitality, healthcare, multi-family, and more.



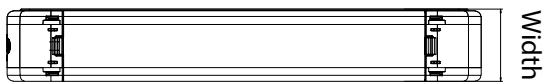
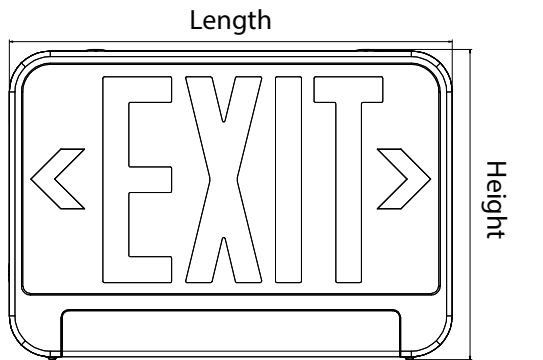
MARKETS

- Commercial & Office
- Schools, Campuses, Day Care
- Car Dealership
- Retail
- Event Centers
- Warehouses, manufacturing plants, distribution centers
- Hospitality
- Healthcare



DIMENSIONS / WEIGHT

Order Code	Length	Width	Height	Weight
EXCBLRG	12.48"	1.88"	8.74"	2.73 lbs.



FEATURES & ACCESSORIES

- 120-277V
- Damp location rated
- 6500K CCT
- UL924 Certified
- 5-Year Warranty
- Wall, ceiling or end mounted
- Includes: 2 Faceplates, 2 Green lens, 2 Red lens
- Wall, ceiling or end mounting kit
- Adjustable/rotatable LED bar
- Manual push button testing
- Ni-MH Battery

CERTIFICATIONS



SPECIFICATIONS

Warranty: 5 years

PERFORMANCE

Operating temp: 32°F to 104°F (0°C to 40°C)

Efficacy (LPW): N/A

CRI: ≥80

ELECTRICAL

Input voltage: 120-277V

Input frequency: 50/60Hz

Battery Type: Ni-MH

OPTICAL

Lens: Polycarbonate

UGR: N/A

PHYSICAL

Finish: N/A

Color: White

Housing: Plastic

INDUSTRY STANDARDS/RATINGS

IP: 20

Location: Damp

UL: UL924

FCC: Yes

RoHS: Yes

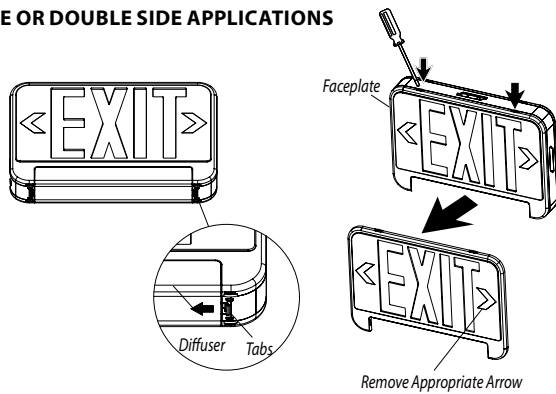
ORDERING INFORMATION

Main Fixture

Ordering Code	Description	Watts	Volts	CCT (K)
EXCBLRG	LED Exit Sign Combo Red-Green with 2.0W Bar Light	5.5	120-277V	6500

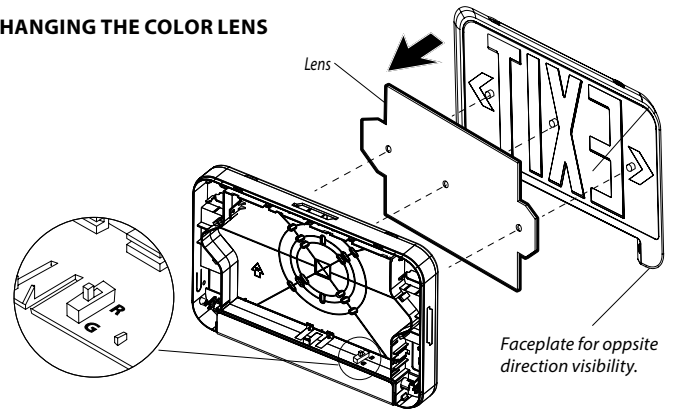
PRODUCT OVERVIEW AND INSTALLATION

SINGLE OR DOUBLE SIDE APPLICATIONS



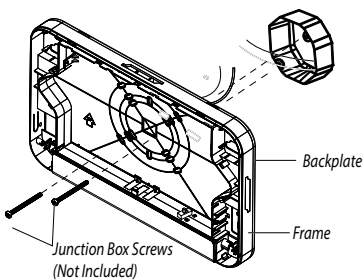
The diffuser and faceplate remove easily with simple tab releases, allowing quick customization using directional arrows. For double sided visibility, just swap the backplate with the included second faceplate—ideal for ceiling or end mount installations. Designed for fast setup and flexible mounting, this system ensures clear, dependable exit guidance wherever you need it.

CHANGING THE COLOR LENS



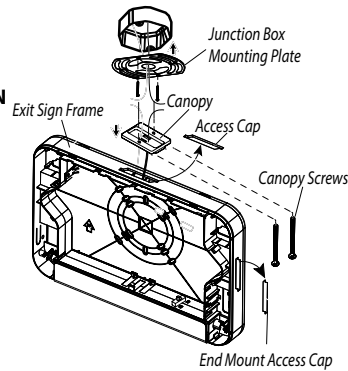
Easily change colors in three simple steps: remove the preinstalled red lens, insert the vibrant green lens, and switch the color selector to the 'G' position for brilliant, high clarity performance.

JUNCTION BOX INSTALLATION



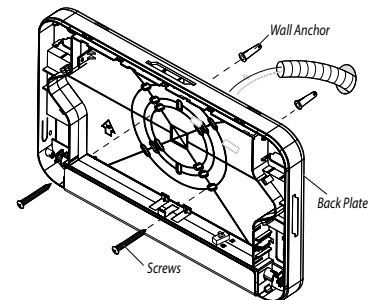
A streamlined junction box mount installs in minutes—no specialty tools, no hassle ensuring a secure, professional result every time.

CEILING OR END MOUNT INSTALLATION



Quick-release access caps and a smooth twist-lock canopy make wiring and setup effortless, giving installers more versatility. Once aligned, the mounting plate secures easily with standard hardware—saving time and streamlining the entire install.

WALL INSTALLATION



Routes power cleanly through the rear entry and uses the backplate itself as a drill template, so two anchor points and included screws deliver a fast, rigid, professional installation.

Disclaimer: Specifications are subject to change without notice. While Litetronics makes every effort to ensure accuracy, we do not guarantee the completeness or reliability of the information provided. For the most current product data, please visit www.litetronics.com.