

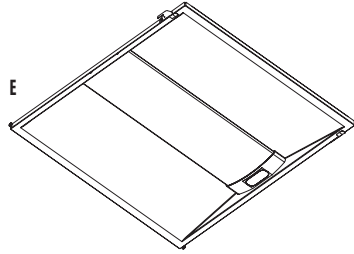
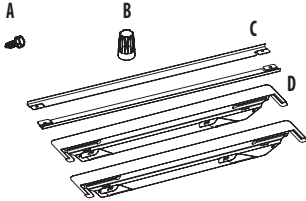
LITETRONICS®

LED Volumetric Retrofit

Watt and CCT Selectable with Sensor Socket

Installation Instructions

VRTxS-Series 1' x 4' | 2' x 2' | 2' x 4'



WHAT COMES IN THE BOX

- | | |
|---|-------------------------------|
| A - Self tapping screws (6) | Installation Instructions (1) |
| B - Wire nut (1) | Safety cables (2) |
| C - Side rails (2) | Quick Connect (1) |
| D - Mounting rails (2) | Luminaire label (1) |
| E - LED Volumetric Retrofit Troffer (1) | |

TOOLS NEEDED

- Screwdriver or power drill

SAFETY INSTRUCTIONS AND WARNINGS

SUITABLE FOR DAMP LOCATIONS.

WARNING - Risk of fire or electric shock. Luminaire wiring and electrical parts may be damaged when drilling for installation of LED retrofit kit. Check for enclosed wiring and components.

WARNING - RISK OF FIRE OR ELECTRIC SHOCK. THIS PRODUCT MUST BE INSTALLED IN ACCORDANCE WITH THE APPLICABLE INSTALLATION CODE BY A PERSON FAMILIAR WITH THE CONSTRUCTION AND OPERATION OF THE PRODUCT AND THE HAZARDS INVOLVED.

WARNING - RISK OF FIRE OR ELECTRIC SHOCK. INSTALL THIS KIT ONLY IN THE LUMINAIRE THAT HAS THE CONSTRUCTION FEATURES AND DIMENSIONS SHOWN IN THE PHOTOGRAPHS AND/OR DRAWINGS AND WHERE THE INPUT RATING OF THE RETROFIT KIT DOES NOT EXCEED THE INPUT RATING OF THE LUMINAIRE.

DO NOT MAKE OR ALTER ANY OPEN HOLES IN AN ENCLOSURE OF WIRING OR ELECTRICAL COMPONENTS DURING KIT INSTALLATION.

WARNING - TO PREVENT WIRING DAMAGE OR ABRASION, DO NOT EXPOSE WIRING TO EDGES OF SHEET METAL OR OTHER SHARP OBJECTS.

Installers should examine all parts that are not intended to be replaced by the retrofit kit for damage and replace any damaged parts prior to installation of the retrofit kit.

WARNING - Risk of fire. Input ratings may need to be determined based on any configuration(s) permitted by the installation instructions. Regardless of the configuration(s) of the retrofit kit, the input ratings of the overall retrofit kit shall not exceed the marked input ratings of the host luminaire.

Safety and instructions continue on page 4.

INSTALLATION PROCEDURE

READ ALL INSTRUCTIONS BEFORE BEGINNING INSTALLATION

Unbox and inspect the LED Volumetric Retrofit to understand its components.

- If 0-10V dimming is required, see **WIRING FOR DIMMING** steps in the following page.

Before starting installation, turn off power at circuit breaker.

FIXTURE WATT & CCT SETUP

Locate the adjustable wattage and CCT slide switches on the top of the fixture and set to the desired watts and CCT. See slide switch settings below.

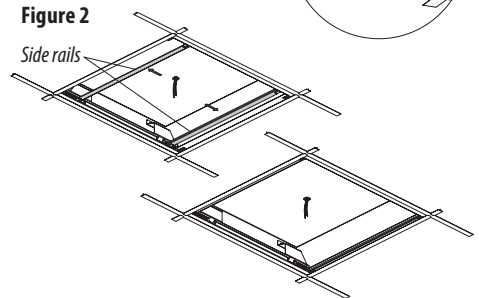
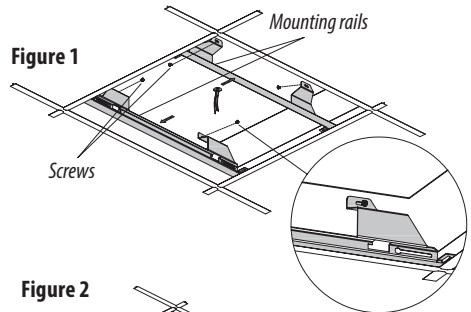
Part	Watts	Default Watts	CCT(K)	Default CCT(K)
VRT1S	18W 20W 25W 30W 36W	36W	3000K 3500K 4000K 5000K 6000K	4000K
VRT2S	18W 20W 25W 30W 36W	36W	3000K 3500K 4000K 5000K 6000K	4000K
VRT4S	25W 30W 40W 45W 50W	50W	3000K 3500K 4000K 5000K 6000K	4000K

PREPARATION

1. Turn off power at the electrical panel.
2. Remove the lens/diffuser, tubes and ballast from the existing troffer.

RAIL INSTALLATION

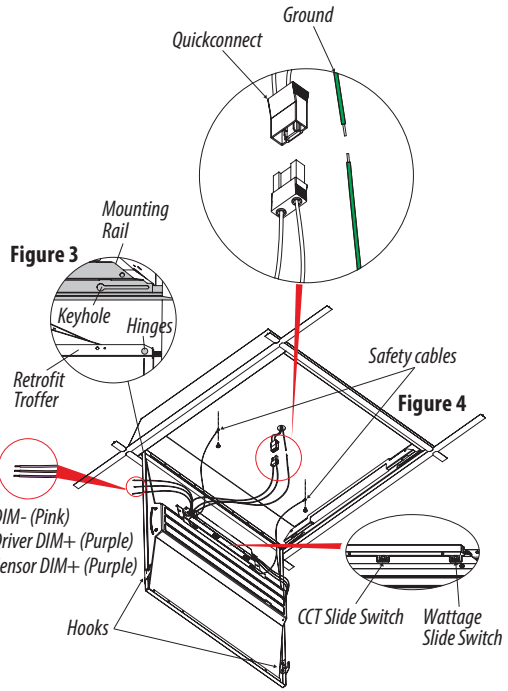
1. Insert the (2) mounting rails on the shorter sides of the troffer. Slide them between the troffer and t-grid. (**Fig. 1**)
2. Next, insert the side rails on the remaining opposite sides of the troffer, between the troffer and t-grid, and insert the end tabs into the slots on the mounting rails. (**Fig. 2**)
3. Secure the mounting rails to the troffer using the included self-drilling screws. (**Fig. 1**)



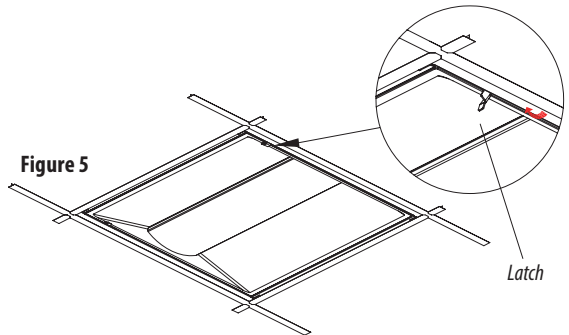
INSTALLATION PROCEDURE

RETROFIT TROFFER INSTALLATION

1. Locate the two retrofit troffer hinges on the shorter side edge of the retrofit troffer. Insert the hinges into the keyhole on the mounting rails. This will allow the retrofit troffer to hang freely. (**Fig. 3**)
2. Attach the two seismic safety cables from the retrofit troffer to the existing troffer with self tapping screws. (**Fig. 4**)
3. Connect power wires AC-L (Black) and AC-N (White) into the open side of the quick-connect. (**Fig. 4**)
4. Connect the ground wire using the supplied wire nut.
5. If 0-10V dimming is required, connect incoming dimming lines from dimmer to the fixture Driver DIM+ (Purple), Sensor DIM+ (Purple), and DIM- (Gray/Pink) wires. Follow dimmer manufacturers instruction.
Note: If Bluetooth sensor (optional) is required then use sensor or **SC010** (sold separately).



6. Apply the luminaire label to the inside of the troffer.
7. Locate the locking latches (2) on the retrofit troffer and rotate them to the open or install position. (**Fig. 5**)
8. Swing the retrofit troffer up so it's even with the ceiling. Then rotate the locking latches (2) so that they engage the mounting rail tabs. Retrofit troffer should be flush to ceiling. (**Fig. 5**)
9. Your installation is complete. Once all retrofit kits have been installed you can restore power.



SAFETY INSTRUCTIONS AND WARNINGS

Prior to installation, review all environmental designation locations in the retrofit kit installation instructions.

Only install in damp locations if so indicated in the installation instructions.

For use with recessed IC luminaires.

Suitable for use with luminaires with 45.48" x 9.67" x 4.5" / 21.48" x 21.48" x 4.5" / 45.48" x 21.48" x 4.5" lamp compartment.

Suitable for operation in luminaires with ambient not exceeding 50 °C.

THE RETROFIT KIT IS ACCEPTED AS A COMPONENT OF A LUMINAIRE WHERE THE SUITABILITY OF THE COMBINATION SHALL BE DETERMINED BY AUTHORITIES HAVING JURISDICTION. PRODUCT MUST BE INSTALLED BY A QUALIFIED ELECTRICIAN IN ACCORDANCE WITH THE APPLICABLE AND APPROPRIATE ELECTRICAL CODES. THE INSTALLATION GUIDE DOES NOT SUPERSEDE LOCAL OR NATIONAL REGULATIONS FOR ELECTRICAL INSTALLATIONS.

Thank you for choosing

LITETRONICS®

6969 W. 73rd Street

Bedford Park, IL 60638

WWW.LITETRONICS.COM

CustomerService@Litetronics.com or 1-800-860-3392



The information and product specifications contained in these instructions are based upon data believed to be accurate at the time of printing. This information is subject to change without notice and without incurring liability. If you have questions regarding specific product details, please contact us at 800-860-3392 or via email at customerservice@litetronics.com.

To check for an updated version of these instructions, please visit www.litetronics.com.

Rev:03/17/26