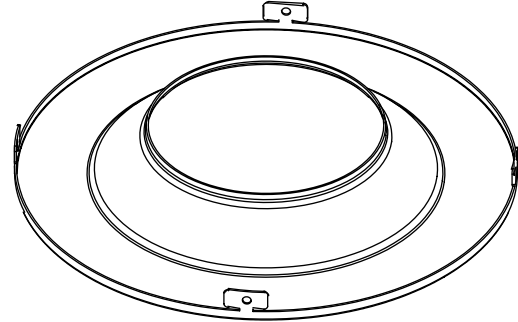


# LITETRONICS®

## Downlight Round Trim Ring For 4", 6" and 8" LED Round Downlights (DLRATRxxMx)

### Installation Instructions



Thank you for choosing  
**LITETRONICS®**

6969 W. 73rd Street  
Bedford Park, IL 60638

[WWW.LITETRONICS.COM](http://WWW.LITETRONICS.COM)

[CustomerService@Litetronics.com](mailto:CustomerService@Litetronics.com) or 1-800-860-3392



The information and product specifications contained in these instructions are based upon data believed to be accurate at the time of printing. This information is subject to change without notice and without incurring liability. If you have questions regarding specific product details, please contact us at 800-860-3392 or via email at [customerservice@litetronics.com](mailto:customerservice@litetronics.com). To check for an updated version of these instructions, please visit [www.litetronics.com](http://www.litetronics.com).

### WHAT COMES IN THE BOX

(1) Round Trim

### SAFETY INSTRUCTIONS AND WARNINGS

WHEN USING ELECTRICAL EQUIPMENT, BASIC SAFETY PRECAUTIONS SHOULD ALWAYS BE OBSERVED. READ CAREFULLY BEFORE INSTALLING FIXTURE. RETAIN THESE INSTRUCTIONS FOR FUTURE REFERENCE.

Litetronics fixtures must be wired in accordance with the National Electrical Code and all applicable local codes. Risk of fire or electric shock. If not qualified, do not attempt installation. Contact a qualified electrician.

Be certain electrical power is OFF before and during installation and maintenance.

Make sure the supply voltage is the same as the rated luminaire voltage.

Only the open holes indicated in the photographs and/or drawings may be made or altered as a result of this kit installation. Do not leave any other open holes in an enclosure of wiring or electrical components.

To prevent wiring damage or abrasion, do not expose wiring to edges of sheet metal or sharp objects.

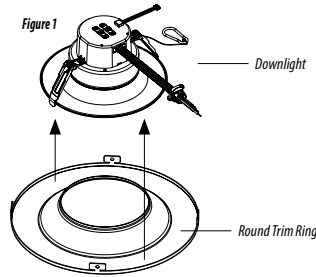
## READ ALL INSTRUCTION BEFORE BEGINNING INSTALLATION

1. Check for any damage during shipping. If you find any issues, contact Litetronics customer service.
2. Read the installation instructions carefully to ensure all accessories are included.
3. After confirmation, install the downlight round trim ring and fixture according to installation steps.

## INSTALLATION PROCEDURE

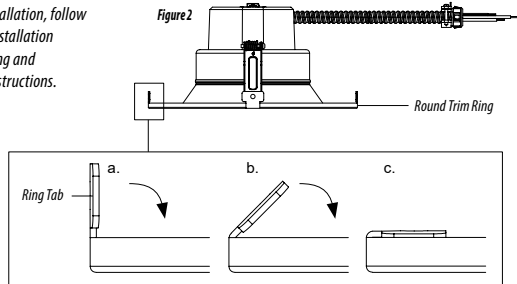
### INSTALLING DOWNLIGHT ROUND TRIM RING

1. Clamp downlight round trim ring over fixture trim. (Fig. 1)

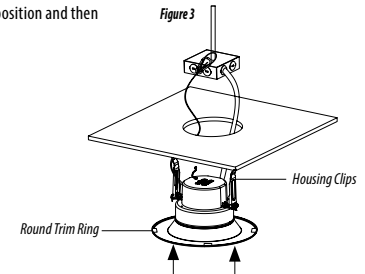


2. Secure trim ring to downlight by bending tabs until trim ring is flush with downlight trim. (Fig. 2)

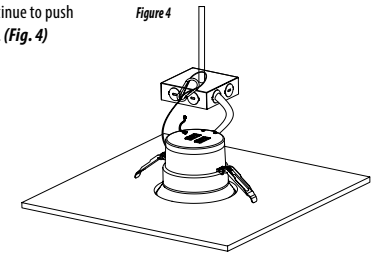
**Note:** For new fixture installation, follow round downlight installation instruction for wiring and additional setup instructions.



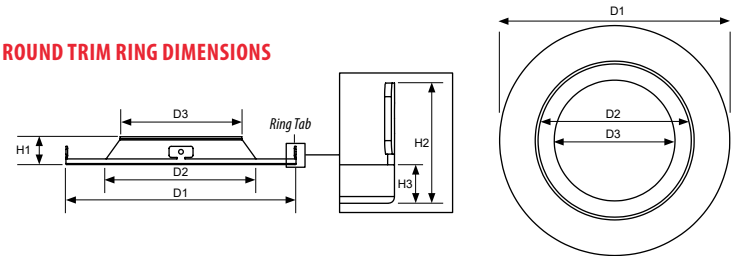
3. Squeeze the two housing clips so they are in an upright position and then insert lamp into opening. (Fig. 3)



4. Once fixture is inside opening, release housing clips and continue to push lamp into opening until securely fixed and flush with ceiling. (Fig. 4)



### ROUND TRIM RING DIMENSIONS



Size (In)	Diameter 1 (D1) - (In)	Diameter 2 (D2) - (In)	Diameter 3 (D3) - (In)	Height 1 (H1) - (In)	Height 2 (H2) - (In)	Height 3 (H3) - (In)
4	6.13	4.35	3.74	0.72	0.69	0.21
6	8.52	5.73	4.50	1.05	0.69	0.21
8	10.14	6.92	4.81	1.24	0.70	0.22