

LITETRONICS®

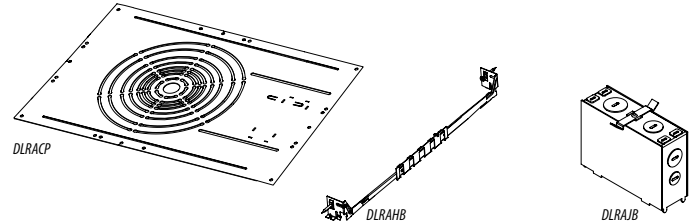
Construction Plate Universal Size (DLRACP)

Hanger Bar Universal Size (DLRAHB)

3Pc. Junction Box (DLRAJB)

LED Round Downlight Accessories - Each Accessory sold separately

Installation Instructions



Thank you for choosing
LITETRONICS®

6969 W. 73rd Street
Bedford Park, IL 60638

WWW.LITETRONICS.COM

CustomerService@Litetronics.com or 1-800-860-3392

Construction Plate Universal Size

WHAT COMES IN THE BOX

(1) Construction Plate Universal Size

Hanger Bar Universal Size

WHAT COMES IN THE BOX

(2) Hanger Bars Universal Size
(4) Screws

3 Pc Junction Box

WHAT COMES IN THE BOX

(1) 3Pc. Junction Box

TOOLS NEEDED

Gloves
Cutting Pliers

Hammer
Screw Driver

SAFETY INSTRUCTIONS AND WARNINGS

WHEN USING ELECTRICAL EQUIPMENT, BASIC SAFETY PRECAUTIONS SHOULD ALWAYS BE OBSERVED. READ CAREFULLY BEFORE INSTALLING FIXTURE. RETAIN THESE INSTRUCTIONS FOR FUTURE REFERENCE.

Litetronics accessories must be wired in accordance with the National Electrical Code and all applicable local codes.

Risk of fire or electric shock. If not qualified, do not attempt installation. Contact a qualified electrician.

Be certain electrical power is OFF before and during installation and maintenance.

To prevent wiring damage or abrasion, do not expose wiring to edges of sheet metal or sharp objects.



The information and product specifications contained in these instructions are based upon data believed to be accurate at the time of printing. This information is subject to change without notice and without incurring liability. If you have questions regarding specific product details, please contact us at 800-860-3392 or via email at customerservice@litetronics.com. To check for an updated version of these instructions, please visit www.litetronics.com.

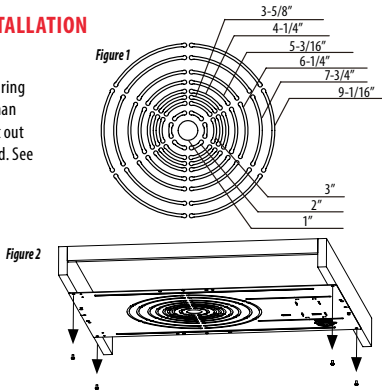
ATTENTION

1. Check for any damage during shipping. If you find any issues, contact Litetronics customer service.
2. Read the installation instructions carefully to ensure all accessories are included.
3. After confirmation, install the construction plate universal size, hanger bar universal size and 3 Pc. junction box according to installation steps.

CONSTRUCTION PLATE UNIVERSAL SIZE INSTALLATION

PLATE INSTALLATION ONLY - DLRACP

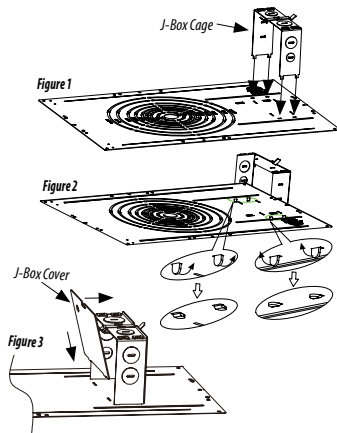
1. Select the hole size by matching the fixture to the printed ring sizes on the plate. Select the ring that is slightly smaller than the outer diameter of the fixture. Using a cutting plier, cut out the ring that corresponds to the fixture size being installed. See dimensions for reference to fixture size. (Fig. 1)
2. Align the plate with ceiling joists in the desired fixture location. Be sure to allow enough space for the Junction Box (sold separately) mounted on the plate (if applicable). Screw the plate to the joists using appropriate hardware (not included) to secure it in place. (Fig. 2)



JUNCTION BOX INSTALLATION - DLRAJB

1. The Junction Box accessory comes in three parts (one J-Box cage and two J-Box side covers). Mount the cage to the plate by lining up the tabs on the bottom of the J-box cage with the precut holes in the plate. Be sure to mount the J-Box accessory to the top side of the plate. (Fig. 1)
2. Bend the tabs over to secure the J-Box to the plate. (Fig. 2)
3. Install one J-Box side cover by inserting the bottom tabs into the precut holes. Then swing the J-box side cover closed using the clips on the top of J-box cage. Be sure the indentation faces out so the clips grip securely to the cover. (Fig. 3)

Note: Leave one side of the J-Box open to complete the wiring. Once the wiring is complete, install the second cover.



HANGER BAR INSTALLATION - DLRAHB

1. Install the (4) pan head screws into the plate from the bottom (Screw heads should be on the bottom of the plate). Do not fully tighten. Leave a 1/8" space. (Fig. 1)
2. Place the keyhole of the slide over 2 pan head screws and slide in. Fully tighten the screws and ensure the hanger bars are secured in place for proper installation.



PLATE DRYWALL INSTALLATION

1. Use hanger bars to attach fixture between ceiling joists. Extend the hanger bars to fit between the joists. Line up the joist locating tab with bottom of the wood joist. Each end of the hanger bar is equipped with a pre-installed nail.
2. Adjust and center the downlight opening hole as desired, by sliding the plate along the hanger bar. Lock and secure the plate with the hanger bar by tightening the edging screws. (Fig. 1)
3. For steel studs, use self-tapping sheet metal screws in place of nails. Using a hammer, secure the hanger bars to the wood joist with the nail. Secure at all four locations. (Fig. 2)

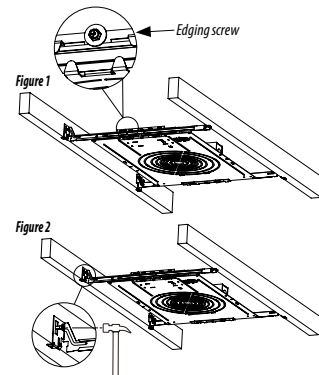


PLATE T-GRID INSTALLATION

1. Extend the hanger bar and secure to the ceiling T-Grid using the vertical slots at the end of each hanger bar.
2. Adjust and center the downlight opening hole as desired, by sliding plate with the hanger bar by tightening the edging screws. (Fig. 1)
3. If required by code, connect the hanger bar to the T-grid with self-tapping sheet metal screws. (Fig. 2)

