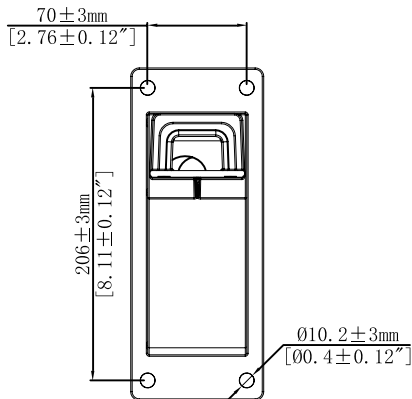


WALL MOUNT HOLE PATTERN



Thank you for choosing

LITETRONICS®

6969 W. 73rd Street

Bedford Park, IL 60638

WWW.LITETRONICS.COM

CustomerService@Litetronics.com or 1-800-860-3392



The information and product specifications contained in these instructions are based upon data believed to be accurate at the time of printing. This information is subject to change without notice and without incurring liability. If you have questions regarding specific product details, please contact us at 800-860-3392 or via email at customerservice@litetronics.com. To check for an updated version of these instructions, please visit www.litetronics.com.

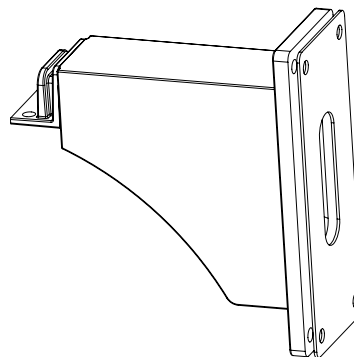
LITETRONICS®

Wall Mount

Area Light Pro

(ALPAWM, ALPABWM, ALPAWWM)

Installation Instructions



SAFETY INSTRUCTIONS AND WARNINGS

- When using electrical equipment, basic safety precautions should always be observed.
- This product must be installed in accordance with the applicable installation code by a person familiar with the construction and operation of the product and the hazards involved.
- Installation should only be conducted by a qualified electrician in accordance with NEC and any relevant local building codes.
- Be certain electrical power is OFF before and during installation and maintenance.
- To prevent wiring damage or abrasion, do not expose wiring to edges of sheet metal or sharp objects.

WHAT COMES IN THE BOX

Wall Mount
Screws M8*22mm (x2)
Silicon Rubber

REQUIRED TOOLS

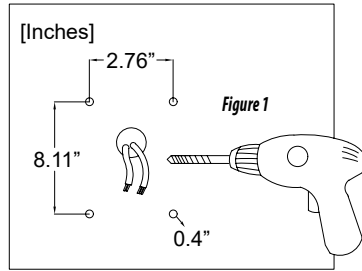
Allen Wrench
Drill

INSTRUCTIONS

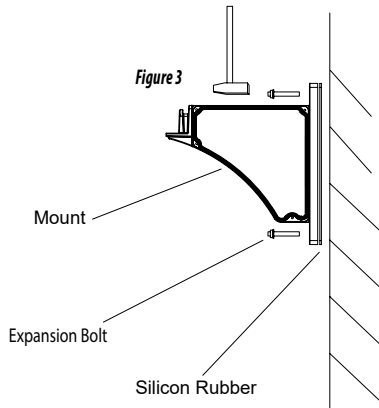
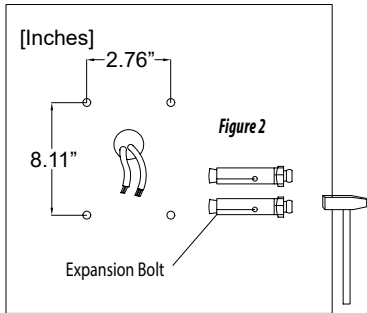
Before installation, carefully remove all parts from the packaging. Inspect product for defects due to shipping. Always turn off the power supply from main circuit breaker first!

A. PREPARING FOR WALL MOUNT INSTALLATION

1. Make four holes on the wall that are the same size as the installation holes in the mount. (Fig. 1)



2. Use expansion bolts (not included) to secure the mount to the wall. (Fig. 2) (Fig. 3)



B. WIRING

Before wiring, remove the side plate from the mount.

Option 1 - Wires Coming Out From Wall

- 1a. Pull the wires from wall into the junction box of the mount. Feed the fixture wires into the junction box of the mount. (Fig. 4)

Option 2 - Wiring From Outlet Box

- 1b. Feed the fixture wires into the junction box of the mount. Pull wires from below the mount, simply unscrew the plug located at the base of the mount. (Fig. 5)

2. Finish the wire connection accordingly (refer to Area Light Pro installation instructions for wiring diagram). Replace side plate to the mount.

3. Lock the mount to the fixture by sliding the Quick Slide onto the corresponding slot of the fixture. Once the holes are lined up, tighten the fixture to the mount with included screws (M8*22mm x 2). (Fig. 4)

C. FINISH INSTALLATION

5. Tighten the four screws. (Fig. 5)
6. Turn power back on.

