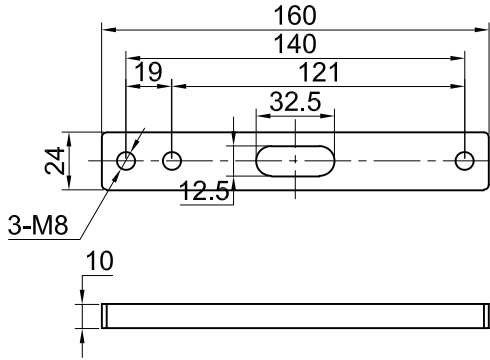


AREA LIGHT PRO TENON HOLE PATTERN



Thank you for choosing

LITETRONICS®

6969 W. 73rd Street

Bedford Park, IL 60638

WWW.LITETRONICS.COM

CustomerService@Litetronics.com or 1-800-860-3392



The information and product specifications contained in these instructions are based upon data believed to be accurate at the time of printing. This information is subject to change without notice and without incurring liability. If you have questions regarding specific product details, please contact us at 800-860-3392 or via email at customerservice@litetronics.com. To check for an updated version of these instructions, please visit www.litetronics.com.

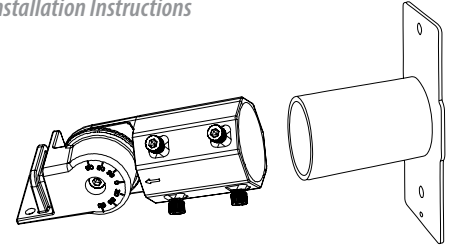
LITETRONICS®

Tenon & Slipfitter Mount

Area Light Pro

(ALPAPM, ALPABPM, ALPAWPM)

Installation Instructions



SAFETY INSTRUCTIONS AND WARNINGS

- When using electrical equipment, basic safety precautions should always be observed.
- This product must be installed in accordance with the applicable installation code by a person familiar with the construction and operation of the product and the hazards involved.
- Installation should only be conducted by a qualified electrician in accordance with NEC and any relevant local building codes.
- Be certain electrical power is OFF before and during installation and maintenance.
- To prevent wiring damage or abrasion, do not expose wiring to edges of sheet metal or sharp objects.

WHAT COMES IN THE BOX

Tenon Mount

Slipfitter Mount

Installation Instructions

Screws M8*22mm (x2)

REQUIRED TOOLS

Allen Wrench

INSTRUCTIONS

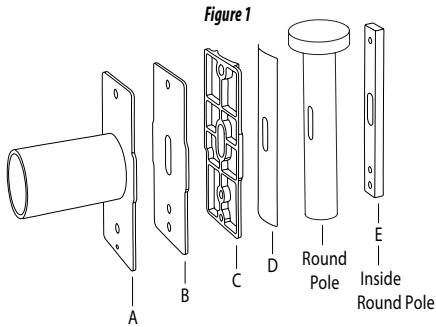
Before Installation, carefully remove all parts from the packaging.

Inspect product for defects due to shipping.

Always turn off the power supply from main circuit breaker first!

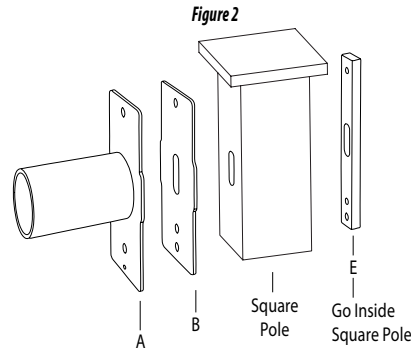
TENON MOUNT ROUND POLE INSTALLATION

1. When using the Tenon & Slipfitter mount with a round pole keep pieces A, B, C, and D outside the pole and the E piece goes inside the pole. (Fig. 1)
2. Once the Tenon is in place, use the two provided screws to clamp the mount firmly to the round pole.



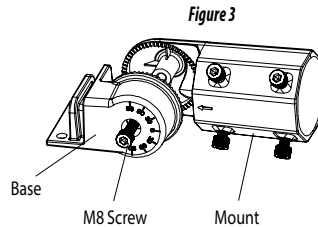
TENON MOUNT SQUARE POLE INSTALLATION

1. When using the Tenon & Slipfitter mount with a square pole, unscrew the installed screws in the mount and remove pieces C & D.
2. Keep pieces A and B outside the pole and the E piece goes inside the pole.
3. Once the Tenon is in place, use the two provided screws to clamp the mount firmly to the square pole. (Fig. 2)

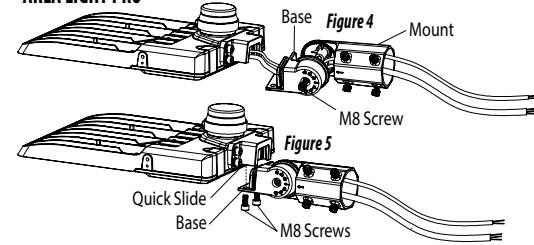


SLIPFITTER MOUNT INSTALLATION

1. Separate the mount base from the mount by removing the center M8 screw. (Fig. 3)
2. Run the input wire through the base and mount, taking care not to damage the wire. (Fig. 4)
3. Align the Quick Slide on to the fixture and the base, and use the two included screws (M8*22mm) to secure them together. (Fig. 5)
4. Reconnect the two mount pieces with the M8 Screw. Keep the M8 screw slightly loose for now.



AREA LIGHT PRO



SLIPFITTER MOUNT INSTALLATION

1. Finish the wire connection accordingly (refer to Area Light Pro installation instructions for wiring diagram). (Fig. 6)
2. Align the fixture to required angle. Tighten M8 screw after angle is confirmed. (Fig. 6)
3. Install the mount onto the Tenon, tightening the four pre-installed screws to ensure a secure fit. (Fig. 7)
4. Turn power back on.

Note: Adjustable angle is 0~+/-90°. (Fig. 6)

AREA LIGHT PRO

