

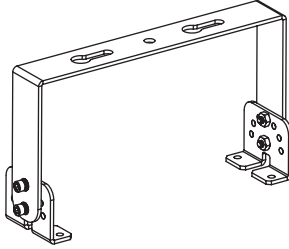
# LITETRONICS®

## Yoke Mount Kit for Round High Bay SL Gen 3 (HBSAM21)

### Installation Instructions

#### Compatible Models

HBS200B6  
HBS200B6HV



### SAFETY INSTRUCTIONS AND WARNINGS

- When using electrical equipment, basic safety precautions should always be observed
- This product must be installed in accordance with the applicable installation code by a person familiar with the construction and operation of the product and the hazards involved
- Installation should only be conducted by a qualified electrician in accordance with NEC and any relevant local building codes.
- Be certain electrical power is OFF before and during installation and maintenance.
- To prevent wiring damage or abrasion, do not expose wiring to edges of sheet metal or sharp objects.

#### WHAT COMES IN THE BOX

Yoke Mount  
Installation Instructions  
M5\*16MM Screws (x8)  
M5 Spring Washer (x8)  
M5 Flat Washer (x8)

#### REQUIRED TOOLS

Allen Wrench

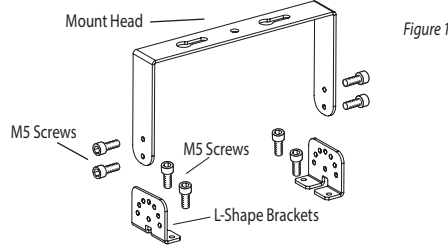
### INSTRUCTIONS

Before installation, carefully remove all parts from the packaging. Inspect product for defects due to shipping.

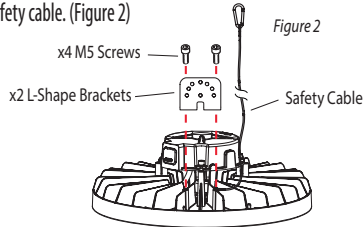
**Always turn off the power supply from main circuit breaker first!**

#### YOKE INSTALLATION

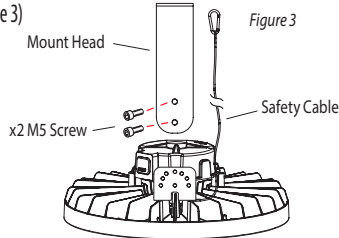
1. Separate mount head from L-shaped brackets. (Figure 1)



2. Attach L-Shape brackets to round high bay SL with M5 screws and safety cable. (Figure 2)



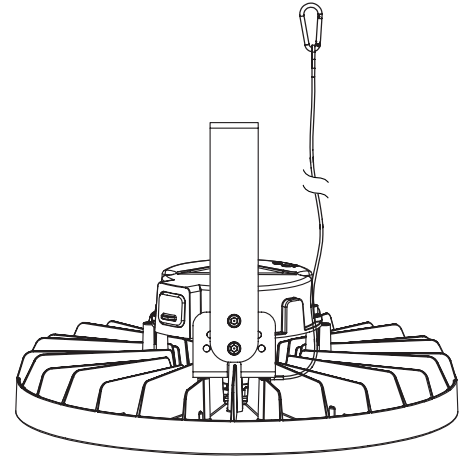
3. Once L-Shaped brackets are connected to the high bay SL, use M5 screws for mounting head. Angle as necessary, then tighten all screws. (Figure 3)



4. Once round high bay SL is supported, attach the included safety cable to a beam or permanent structural support. The yoke can be mounted to a ceiling or wall in various directions.

*Note: Properly assembled yoke can be mounted with bolts, anchors or screws. Mounting structure must support the full weight of the fixture in accordance with local codes.*

5. Turn power back on.



Thank you for choosing

**LITETRONICS®**

6969 W. 73rd Street

Bedford Park, IL 60638

[WWW.LITETRONICS.COM](http://WWW.LITETRONICS.COM)

[CustomerService@Litetronics.com](mailto:CustomerService@Litetronics.com) or 1-800-860-3392



The information and product specifications contained in these instructions are based upon data believed to be accurate at the time of printing. This information is subject to change without notice and without incurring liability. If you have questions regarding specific product details, please contact us at 800-860-3392 or via email at [customerservice@litetronics.com](mailto:customerservice@litetronics.com). To check for an updated version of these instructions, please visit [www.litetronics.com](http://www.litetronics.com).