

PROJECT:	
CATALOG #	
TYPE:	DATE:

LED VOLUMETRIC RETROFIT

with Field-adjustable Light Output

DESCRIPTION

Combining top-of-the-line efficiency with a stylish, modern design, the LED Volumetric Retrofit is an ideal solution for updating interior grid ceiling applications. It can accommodate all standard sizes of fluorescent troffers, including 2' x 4', 2' x 2' or 1' x 4', and its patented design makes installation simple and quick. The kit can be installed by one person in less than two minutes, without breaking into the ceiling plenum.

Our standard model is equipped with field-adjustable light output, enabling the lumen output and wattage to be set to one of five specific levels based on the needs of the user. This feature enables not only the customization of light output, but also puts a cap on the amount of energy being used.

The LED Volumetric Retrofit is listed as a DLC Premium product and delivers up to 125 lumens per watt (LPW) over the course of its 100,000-hour rated life. It ensures long-term energy savings over traditional fluorescent bulbs and ballasts, as well as eliminates routine maintenance, making it perfect for updating existing troffers. Furthermore, it's backed by an industry-leading 10-year warranty, guaranteeing peace of mind for the life of your fixture.



FEATURES

- Field-adjustable light output
- 100,000-hour rated life
- 10-year warranty
- DLC 5.1 Premium (125 LPW)
- Suitable for damp locations
- 0-10V Dimming
- Compatible with Emergency Battery Backup

MARKETS

- Schools and universities
- Offices and municipal buildings
- Healthcare facilities and hospitals

APPLICATIONS

- Drop/grid ceilings
- Fluorescent troffers

CERTIFICATIONS



SPECIFICATIONS

Life (@L70): 100,000 hours (@L70)

Warranty: 10 years

PERFORMANCE

Operating temp: -4°F to 113°F (-20°C to 45°C)

Efficacy (LPW): 125 LPW

CRI: 80

ELECTRICAL

Input voltage: 120-277V

Input frequency: 50/60Hz

PF: ≥.95

THD: ≤ 20%

Surge protection: N/A

Dimming: 0-10VDC ANSI C137.x compliant

Minimum dimming: 0% of rated lumen LED drive current

Aux. Voltage: N/A

Whip/Cord: None

Sensor: N/A

INDUSTRY STANDARDS/RATINGS

Location: Damp

IC: N/A

UL/ETL: ETL

RoHS: Yes

DLC: 5.1 Premium

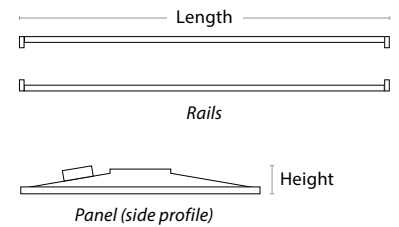
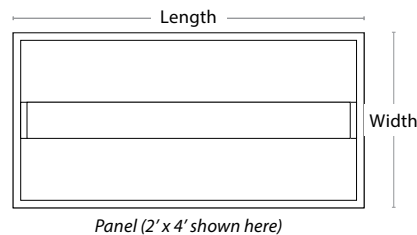
MOUNTING

Standard: T-bar grid (drop ceilings) mounted fluorescent troffers

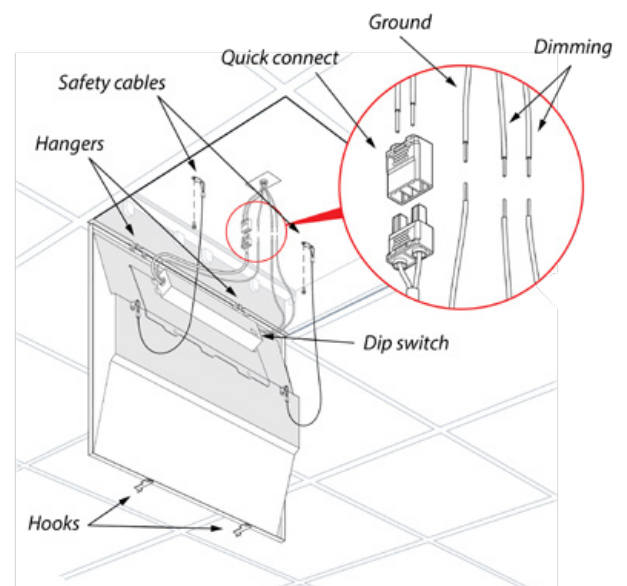
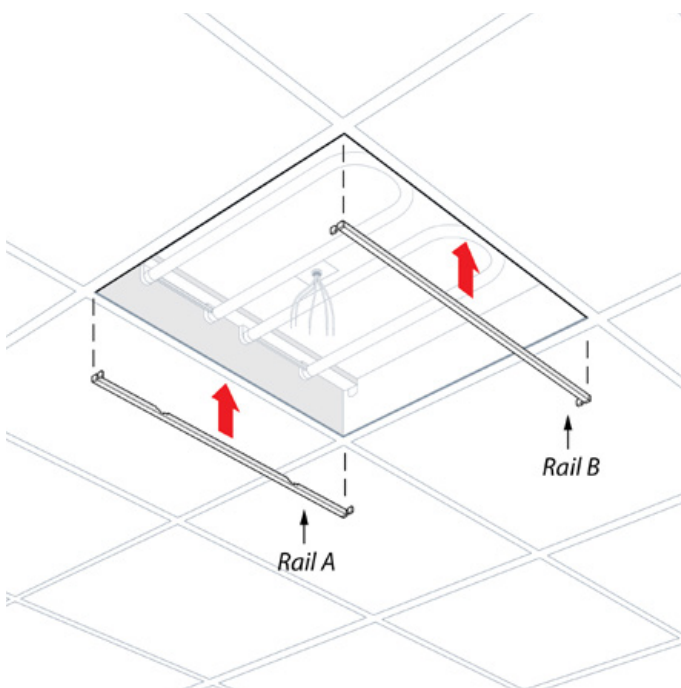
Wiring access: 1/2" trade size knockouts

DIMENSIONS / WEIGHT

SIZE	LENGTH	WIDTH	HEIGHT	RAIL LENGTH
2' x 4'	45"	21"	2.875"	47"
2' x 2'	21"	21"	2.875"	23"
1' x 4'	45"	10.5"	2.875"	47"



PRODUCT OVERVIEW AND INSTALLATION



ORDERING INFORMATION

Listed below are the included wattage settings and lumens for each model number.

2' X 2'

ROOT MODEL #	DESCRIPTION		
VRT235	2X2 LED Volumetric Retrofit		
EXT. MODEL #	WATTAGE	CCT	LUMENS
VRT23518	18	3500	2,250
VRT23520*	20	3500	2,500
VRT23525*	25	3500	3,125
VRT23530*	30	3500	3,750
VRT235*	36	3500	4,500

ROOT MODEL #	DESCRIPTION		
VRT240	2X2 LED Volumetric Retrofit		
EXT. MODEL #	WATTAGE	CCT	LUMENS
VRT24018	18	4000	2,250
VRT24020*	20	4000	2,500
VRT24025*	25	4000	3,125
VRT24030*	30	4000	3,750
VRT240*	36	4000	4,500

ROOT MODEL #	DESCRIPTION		
VRT250	2X2 LED Volumetric Retrofit		
EXT. MODEL #	WATTAGE	CCT	LUMENS
VRT25018	18	5000	2,250
VRT25020*	20	5000	2,500
VRT25025*	25	5000	3,125
VRT25030*	30	5000	3,750
VRT250*	36	5000	4,500

2' X 4'

ROOT MODEL #	DESCRIPTION		
VRT435	2X4 LED Volumetric Retrofit		
EXT. MODEL #	WATTAGE	CCT	LUMENS
VRT43525	25	3500	3,125
VRT43530*	30	3500	3,750
VRT43540*	40	3500	5,000
VRT43545*	45	3500	5,625
VRT435*	50	3500	6,250

ROOT MODEL #	DESCRIPTION		
VRT440	2X4 LED Volumetric Retrofit		
EXT. MODEL #	WATTAGE	CCT	LUMENS
VRT44025	25	4000	3,125
VRT44030*	30	4000	3,750
VRT44040*	40	4000	5,000
VRT44045*	45	4000	5,625
VRT440*	50	4000	6,250

ROOT MODEL #	DESCRIPTION		
VRT450	2X4 LED Volumetric Retrofit		
EXT. MODEL #	WATTAGE	CCT	LUMENS
VRT45025	25	5000	3,125
VRT45030*	30	5000	3,750
VRT45040*	40	5000	5,000
VRT45045*	45	5000	5,625
VRT450*	50	5000	6,250

1' X 4'

ROOT MODEL #	DESCRIPTION		
VRT135	1X4 LED Volumetric Retrofit		
EXT. MODEL #	WATTAGE	CCT	LUMENS
VRT13518	18	3500	2,250
VRT13520*	20	3500	2,500
VRT13525*	25	3500	3,125
VRT13530*	30	3500	3,750
VRT135*	36	3500	4,500

ROOT MODEL #	DESCRIPTION		
VRT140	1X4 LED Volumetric Retrofit		
EXT. MODEL #	WATTAGE	CCT	LUMENS
VRT14018	18	4000	2,250
VRT14020*	20	4000	2,500
VRT14025*	25	4000	3,125
VRT14030*	30	4000	3,750
VRT140*	36	4000	4,500

ROOT MODEL #	DESCRIPTION		
VRT150	1X4 LED Volumetric Retrofit		
EXT. MODEL #	WATTAGE	CCT	LUMENS
VRT15018	18	5000	2,250
VRT15020*	20	5000	2,500
VRT15025*	25	5000	3,125
VRT15030*	30	5000	3,750
VRT150*	36	5000	4,500

Each extended model # is individually listed with DLC. The highest wattage is listed under the root model #.

*Model not DLC approved.

ACCESSORIES

MODEL #	DESCRIPTION	USAGE
EB10	10W Emergency Battery Backup	Supplies battery backup to an individual fixture for up to 90 minutes. <u>Must be ordered with EBCM or EBAM indicator module.</u>
EBCM	Ceiling-Mounted Indicator Module	This Ceiling-Mounted Indicator Module (EBCM) can be used with one of Litetronics' emergency battery backup products (EB10, EB10N or EB20) to provide a visual confirmation of the operational status of the EBB unit. This module is typically used in grid ceiling applications where it is recess mounted in a panel adjacent to the fixture.
EBAM	Adhesive-mounted Indicator Module	This Adhesive-Mounted Indicator Module (EBAM) must be used with one of Litetronics' emergency battery backup products (EB10, EB10N or EB20) to provide a visual confirmation of the operational status of the EBB unit. This module is typically used in open ceiling or drywall ceiling applications where the module is applied to the side of the fixture, mounting kit, or a nearby structural element.

