

PROJECT:	
CATALOG #	
TYPE:	DATE:

LED STAIRWELL FIXTURE

WATT AND CCT SELECTABLE

DESCRIPTION

The LED Stairwell Fixture is a modern, energy-efficient, linear lighting solution specifically designed for limited use areas such as stairwells. Equipped with a microwave occupancy sensor and daylight sensor, the fixture reduces energy use by automatically adjusting its output based on occupancy and available light in the space.

Designed with versatility in mind, the fixture includes four selectable color temperatures as well as three selectable wattages, allowing the installer to fine-tune the fixture to better meet the needs of the application.

The fixture can be surface, or suspension mounted and its lightweight, two-piece design makes installation quick and easy, reducing overall project time.



FEATURES

- Integrated sensors for occupancy sensing and daylight harvesting
- 4 Selectable color temperature (3000K, 3500K, 4000K, 5000K)
- 3 Selectable wattage settings
- 145 lumens per watt (lm/W)
- DLC Premium
- ETL rated for damp locations
- 10-year warranty
- 100,000-hour rated life (@L70)
- 0-10V dimming (0% minimum)
- Polycarbonate frosted lens with translucent end caps

APPLICATIONS

- Commercial
- Industrial
- Retail
- Manufacturing
- Warehouse
- Corridors
- Storage
- Stairways
- Garage
- Mechanical & Equipment Rooms

MOUNTING

- Surface
- Suspension

CERTIFICATIONS



SPECIFICATIONS

Life (@L70): 100,000 hours

Warranty: 10 years

PERFORMANCE

Operating temp: -4°F to 113°F (-20°C to 45°C)

Efficacy (LPW): 145 LPW

CRI: 80

ELECTRICAL

Input voltage: 120-277V

Input frequency: 50/60Hz

PF: ≥.9

THD: <20

Surge protection: 2KV

Dimming: 0-10V

Minimum dimming: 0% minimum

Aux. Power Tap: N/A

Driver CL: N/A

Whip/Cord: No

Sensor: Microwave

OPTICAL

Beam: 120°

Lens: Polycarbonate Frosted

UGR: N/A

PHYSICAL

Finish: Powder Coat

Color: White

Housing: Steel Channel

INDUSTRY STANDARDS/RATINGS

IP: 20

IK: N/A

Location: Damp

IC: N/A

UL: No

ETL: Yes

FCC: Yes

RoHS: Yes

DLC: 5.1 Premium

SIZING

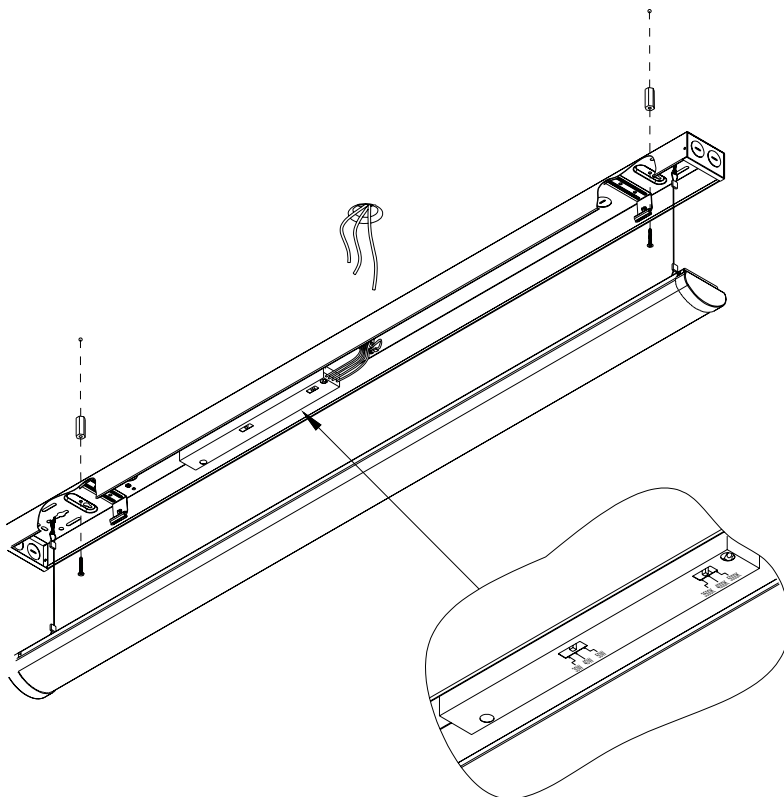
ORDER#	SIZE
SWFS4	4'

DIMENSIONS / WEIGHT

ORDER#	LENGTH	WIDTH	HEIGHT	WEIGHT
SWFS4	48.04"	2.93"	3.25"	3.75 lbs



PRODUCT OVERVIEW AND INSTALLATION



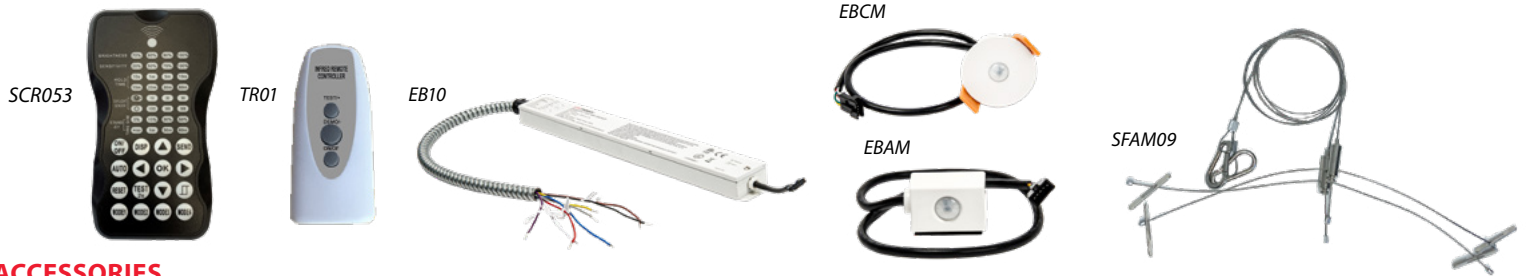
The LED Stairwell Fixture includes a built-in occupancy sensor and daylight sensor. Settings for each can be adjusted via remote control (part # SCR053). Below are the default settings that will be initially active:

- Sensitivity: 100%
- Hold time: 10 seconds
- Daylight: 30 lux
- Standby level: 30%
- Standby time: 60 minutes
- Fixture hold time may be programmed to maintain standby light level for infinity, preventing 'full-off'

ORDERING INFORMATION

Listed below are the included wattage settings and lumens for each model number.

ORDERING CODE	DESCRIPTION	WATTS	VOLTS	CCT (K)	LUMENS
SWFS4	4' LED Stairwell Fixture	30 40 50	120-277V	3000K 3500K 4000K 5000K	7250 8700 10150



ACCESSORIES

ORDERING CODE	DESCRIPTION	USAGE
SCR053	Remote Control	Used (with SC005 and SC006 sensor) to adjust settings after installation
TR01	Test Remote Control	Used for testing and demonstrating the functionality of EB10 emergency battery backup integrated products. • Only one remote required per area, building or site as necessary.
EB10	10W Emergency Battery Backup	Supplies battery backup to an individual fixture for up to 90 minutes. Must be ordered with indicator module (EBCM or EBAM).
EBCM	Ceiling-Mounted Indicator Module	This Ceiling-mounted Indicator Module (EBCM) can be used with one of Litetronics' emergency battery backup products (EB10, EB10N or EB20) to provide a visual confirmation of the operational status of the EBB unit. This module is typically used in grid ceiling applications where it is recess mounted in a panel adjacent to the fixture.
EBAM	Adhesive-mounted Indicator Module	This Adhesive-mounted Indicator Module (EBAM) must be used with one of Litetronics' emergency battery backup products (EB10, EB10N or EB20) to provide a visual confirmation of the operational status of the EBB unit. This module is typically used in open ceiling or drywall ceiling applications where the module is applied to the side of the fixture, mounting kit, or a nearby structural element.
SFAM09	Suspension Mount Kit	Suspend Strip Fixtures from ceiling surface. Cable is 5' in length. Weight rating is 25 lbs.