

PROJECT:	
CATALOG #	
TYPE:	DATE:

## LED AREA LIGHT

### DESCRIPTION

Litetronics LED Area Lights are available in three models from 100W through 300W, each with three field-selectable wattages and CCT (3000K, 4000K and 5000K). The unit is offered with 3-pin shorting cap, and Type III distribution (Type II, IV, & V distributions available). Optional sensors include PIR (SC005), Microwave (SC006) and our LiteSmart Bluetooth Sensors (SC008 & SC011) enabling the same energy saving control but can be setup and managed on a group level via the LiteSmart mobile app to meet code and local ordinance compliance.

In addition, Litetronics offers optional slipfitter, direct, and trunnion mountings.



### FEATURES

- Optional slipfitter, direct, and trunnion mountings available
- Type III distribution (Type II, IV, & V distributions optional)
- 3-pin shorting cap (standard-included)
- Optional glare shields to meet code and local ordinance
- Pluggable sensor socket
- Compatibility with LiteSmart mobile app
- Field selectable wattages and CCT (3000K, 4000K, 5000K)
- 50,000-hour rated life
- 5-year warranty
- DLC 5.1 Premium

### MARKETS

- Car dealership
- Schools, campuses, day care
- Parking lots
- Commercial
- Transportation hubs
- Trucking Depots
- Retail
- Event Centers
- Industrial yards and lots

### MOUNTING

- Slipfitter
- Direct
- Trunnion

### CERTIFICATIONS



## SPECIFICATIONS

**Life (@L70):** 50,000 hours

**Warranty:** 5 years

### PERFORMANCE

**Operating temp:** -40F to 122°F (-40°C to 50°C)

**Efficacy (LPW):** 140

**CRI:** 80

### ELECTRICAL

**Input voltage:** 120-277V, 277-480V

**Input frequency:** 50/60Hz

**PF:** ≥.95

**THD:** ≤ 20%

**Surge protection:** 10KV (20KV Accessory Option)

**Dimming:** 0-10V

**Minimum dimming:** N/A

**Aux. Voltage:** N/A

**Driver Class - AL1503:** Class P

**AL2003:** Class P

**AL3003:** Class P

**Whip/Cord:** 3.5'

**Sensor:** Plug-In (Choice of MW, PIR, Bluetooth)

### OPTICAL

**Beam:** 155°

**Lens:** Polycarbonate Frosted

**UGR:** N/A

### PHYSICAL

**Finish:** Matte Powder Coat

**Color:** Dark Bronze

**Housing:** Painted Steel

### INDUSTRY STANDARDS/RATINGS

#### Bug Rating

**AL1503:** B3-U0-G3

**AL2003:** B3-U0-G3

**AL3003:** B3-U0-G3

**IP:** 65

**IK:** N/A

**Location:** Wet

**Outdoor Rated:** Yes

**IC:** No

**UL/ETL:** UL

**FCC:** Yes

**RoHS:** Yes

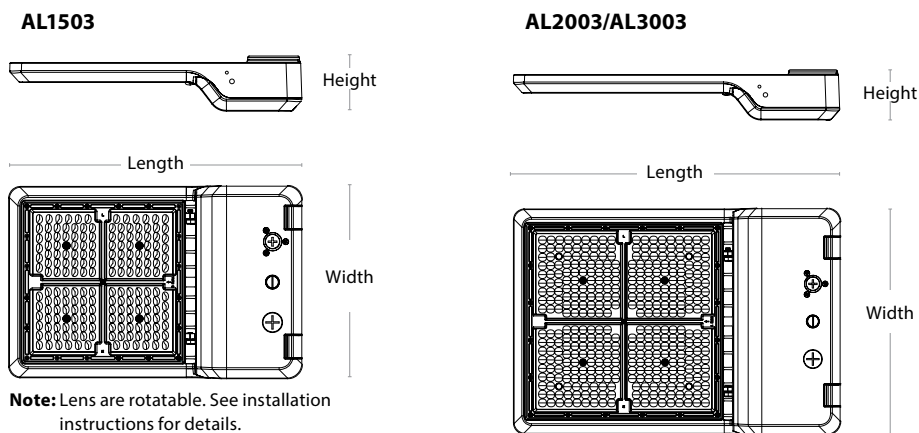
**DLC:** 5.1 Premium

### MOUNTING

**Optional:** Slipfitter, Trunnion, and Direct mounting available

## DIMENSIONS / WEIGHT

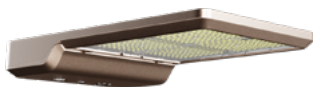
ORDER#	LENGTH	WIDTH	HEIGHT	WEIGHT
AL1503	15.7"	10.4"	3"	12.78 lbs.
AL2003	18.8"	13.1"	3"	19.40 lbs.
AL3003	18.8"	13.1"	3"	19.40 lbs.



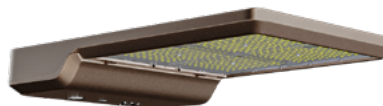
## ORDERING INFORMATION

Listed below are the selectable wattage settings and lumens for each model number.

AL1503



AL2003/AL3003



ORDERING CODE	DESCRIPTION	WATTS	VOLTS	CCT (K)	LUMENS
AL1503	Area Light	100   125   150	120-277V	3000   4000   5000	14,000   17,500   21,000
AL2003	Area Light	150   175   200	120-277V	3000   4000   5000	21,000   24,500   28,000
AL3003	Area Light	240   270   300	120-277V	3000   4000   5000	33,600   37,800   42,000

## HIGH VOLTAGE

ORDERING CODE	DESCRIPTION	WATTS	VOLTS	CCT (K)	LUMENS
AL1503HV	Area Light	100   125   150	277-480V	3000   4000   5000	14,000   17,500   21,000
AL2003HV	Area Light	150   175   200	277-480V	3000   4000   5000	21,000   24,500   28,000
AL3003HV	Area Light	240   270   300	277-480V	3000   4000   5000	33,600   37,800   42,000

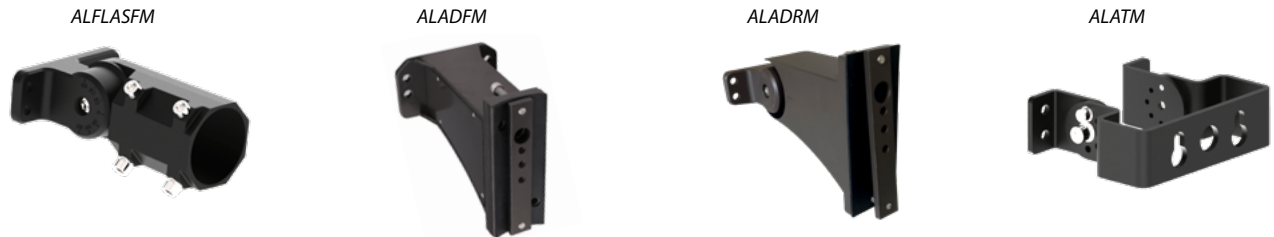
## ACCESSORIES



## SENSORS & CONTROLS

ORDERING CODE	DESCRIPTION	USAGE
SC005	Plug-in PIR Sensor	Enable occupancy sensing on pluggable fixtures.
SC006	Plug-in Microwave Sensor	Enable occupancy sensing on pluggable fixtures.
SC011	Plug-In Bluetooth PIR Sensor with IR	This sensor enables wireless control of fixtures, or groups of fixtures, through the LiteSmart mobile app.
SCR053	Remote Control	Used (with SC005 and SC006 sensor) to adjust settings after installation.
SCR054	Remote Control	Used to Commission LiteTronics "Next Generation" LiteSmart IR-Enabled Sensor.
OLAPC1	3-pin photocontrol	Photocontrol for 120-277V.
OLAPC2	3-pin photocontrol	Photocontrol for 277-480V (MTO Only).

## FIXTURE MOUNTS



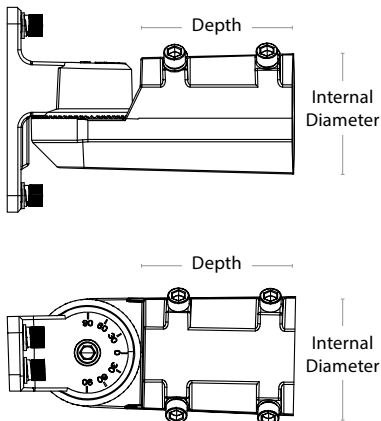
## MOUNTS

ORDERING CODE	DESCRIPTION	USAGE
ALFLASFM	Area Light/Flood Light Slipfitter Mount	For use with area light 150-300W and flood light 100-150W product only.
ALADFM	Area Light Direct Fixed Mount	For use with 150W, 200W and 300W area lights.
ALADRM	Area Light Direct Rotatable Mount	For use with 150W, 200W and 300W area lights
ALATM	Area Light Trunnion Mount	For use with 150W, 200W and 300W area lights

## SLIPFITTER

ORDERING CODE	DEPTH	INTERNAL DIAMETER
ALFLASFM	3.5"	2.44"

**Note:** Minimum recommended tenon length of 6".

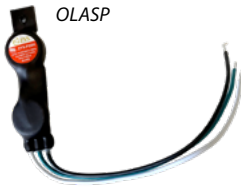


## FIXTURE POLE CONFIGURATION AND EPA WIND RATING

From single to double to quad configurations, Litetronics Area Lights can accommodate the needed number of fixtures per pole to meet all application needs.

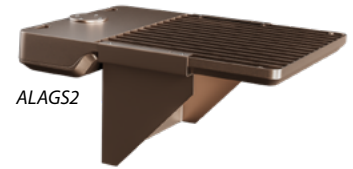
PRODUCT	FIXTURE POSITION	FIXTURE POSITION					
		Single Fixture	2 Fixtures at 90°	2 Fixtures at 180°	3 Fixtures at 90°	3 Fixtures at 120°	4 Fixtures at 90°
150W	Horizontal	0.384	0.599	.0776	0.914	0.983	0.914
	45°	1.344	1.831	1.344	2.328	3.281	2.328
200W / 300W	Horizontal	0.468	0.73	0.945	1.114	1.198	1.114
	45°	2.016	1.831	1.344	2.328	3.281	2.328

Note: Litetronics does not manufacture or sell poles.



## SURGE PROTECTOR

ORDERING CODE	DESCRIPTION	USAGE
OLASP	Surge Protector 20KV	Used for applications that need increased surge protection for 277-480V.



## GLARE SHIELDS

ORDERING CODE	DESCRIPTION
ALAGS1	Area Light Glare Shield for 150 watts.
ALAGS2	Area Light Glare Shield for 200/300 watts.

## ACCESSORY LENS

ORDERING CODE	DESCRIPTION
ALAL1502	Area Light Accessory Lens for use with 150W product Type II
ALAL3002	Area Light Accessory Lens for use with 200W/300W product Type II
ALAL1503	Area Light Accessory Lens for use with 150W product Type III
ALAL3003	Area Light Accessory Lens for use with 200W/300W product Type III
ALAL1504	Area Light Accessory Lens for use with 150W product Type IV
ALAL3004	Area Light Accessory Lens for use with 200W/300W product Type IV
ALAL1505	Area Light Accessory Lens for use with 150W product Type V
ALAL3005	Area Light Accessory Lens for use with 200W/300W product Type V

**Note:** Field swap and installation allowed.

## WIRELESS CONTROL WITH PLUGGABLE SENSORS



The optional MW (SC006), and PIR Sensor (SC005) use a remote control for easy setup and control of individual fixtures.



The smart PIR sensor uses a remote control (SCR054) to Commission and group Litetronics "Next Generation" LiteSmart IR-Enabled SC011 Sensor.



### LITESMART



LiteSmart is a mobile app that enables total management of lighting systems at the touch of your fingers. Within the app, all functionality can be set up and controlled; on/off, dimming, grouping, scene creation and time scheduling. Adjustments can also be made to the occupancy sensor settings, then implemented across an entire group in seconds.

- Total control over your lighting system
- Quick and easy changes that can be implemented in seconds across a group of fixtures
- Further energy reduction via occupancy sensing, and max wattage control
- Ability to create custom scenes based on specific needs, such as presentations
- Time scheduling that sets hours of operation per day



Set up and manage your space with LiteSmart.

Litetronics, Inc. | 6969 W. 73rd St. Bedford Park, IL 60638 | Tel:1-800-860-3392 | customerservice@litetronics.com

[www.Litetronics.com](http://www.Litetronics.com)