

PROJECT:	
CATALOG #	
TYPE:	DATE:

LED STRIP RETROFIT (C-SERIES)

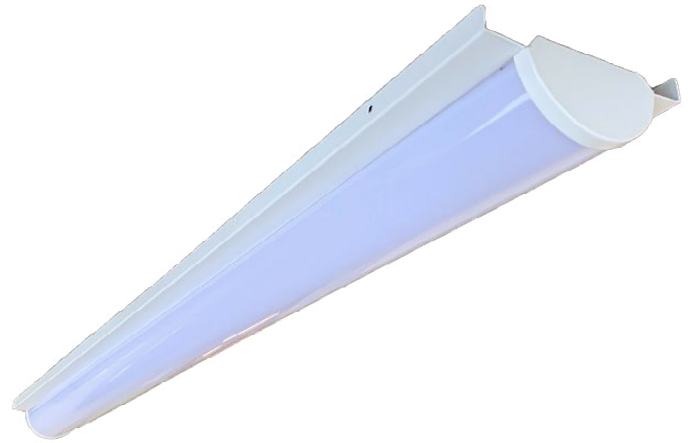
with Selectable Wattage and CCT

DESCRIPTION

The Contractor-Series Value LED Strip Retrofit mounts to your existing strip housing, significantly reducing installation time and resulting in modern efficiency with the polished look of a new fixture.

In just a few minutes, your fluorescent strip fixture can be converted to LED. The Strip Retrofit mounts to the existing housing, maintaining the current aesthetic, reducing disposal costs and also reducing labor time on the project.

This LED retrofit will improve the look and feel of your space while delivering significant energy savings, improved light quality and long life with zero maintenance.



FEATURES

- Selectable wattage/CCT or dedicated wattage at 4000k
- Shatterproof lens makes it safe for food service applications
- Available in 4' and 8' lengths
- Fits 4.25" to 4.5" width strips, 5" are made to order
- 50,000-hour rated life (@L70)
- 5-year warranty
- DLC 5.1 Premium (Pending)
- Compatible with Emergency Battery Backup
- 0-10V dimming
- 120-277V

MOUNTING

- Mounts to existing housing

APPLICATIONS

- Healthcare and hospitals
- Schools and universities
- Sports facilities & gyms
- Retail
- Corridors
- Task areas
- Aisles

LITETRONICS DIFFERENCE

- Contractor value pricing
- Quick connect
- DLC Premium (Pending)

CERTIFICATIONS



SPECIFICATIONS

Life (@L70): 50,000 hours

Warranty: 5 years

PERFORMANCE

Operating temp: 32°F to 113°F (0°C to 45°C)

Efficacy (LPW): 125 LPW

CRI: 80

ELECTRICAL

Input voltage: 120-277V

Input frequency: 50/60Hz

PF: ≥.95

THD: N/A

Surge protection: N/A

Dimming: 0-10V

Minimum dimming: N/A

Aux. Power Tap: N/A

Driver CL: N/A

Whip/Cord: N/A

Sensor: N/A

OPTICAL

Beam: 120°

Lens: Polycarbonate Frosted

UGR: N/A

PHYSICAL

Finish: Powder Coat

Color: White

Housing: Painted Steel

INDUSTRY STANDARDS/RATINGS

IP: 20

IK: N/A

Location: Damp

IC: N/A

UL: No

ETL: N/A

FCC: Yes

RoHS: Yes

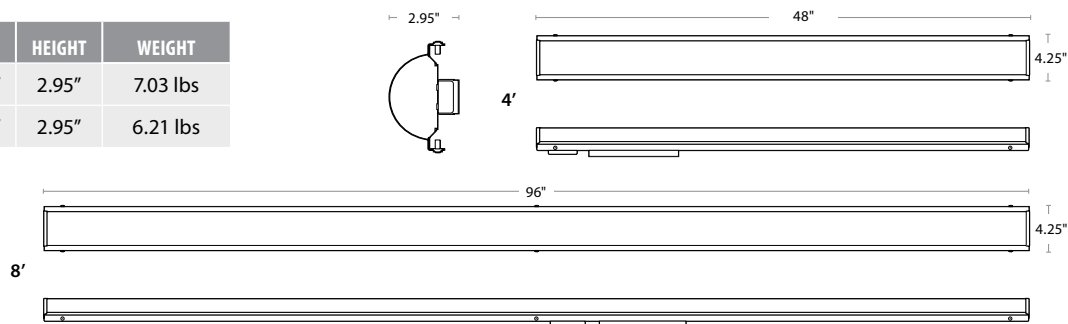
DLC: 5.1 Premium (Pending)

SIZING

ORDER#	SIZE
SRCS8	8'
SRCS4	4'

DIMENSIONS / WEIGHT

ORDER#	LENGTH	WIDTH	HEIGHT	WEIGHT
SRCS8	95.81"	4.252"	2.95"	7.03 lbs
SRCS4	47.795"	4.252"	2.95"	6.21 lbs



ORDERING INFORMATION

SELECTABLE WATTAGE & CCT

ORDERING CODE	DESCRIPTION	SIZE	WATTS	VOLTS	CCT (K)	LUMENS
SRCS8	4.25" Wide 8' LED Strip Retrofit with Selectable Output	8'	46, 60, 70, 80	120-277	3500, 4000, 5000	5750, 7500, 8750, 10000
SRCS4	4.25" Wide 4' LED Strip Retrofit with Selectable Output	4'	18, 25, 30, 40	120-277	3500, 4000, 5000	2250, 3125, 3750, 5000

Note: 4.5" width strips are made to order.

ACCESSORIES

TR01



EB10



EBCM



EBAM



MODEL #	DESCRIPTION	USAGE
TR01	Test Remote Control	Used for testing and demonstrating the functionality of EB10 emergency battery backup integrated products. • Only one remote required per area, building or site as necessary.
EB10	10W Emergency Battery Backup	Supplies battery backup to an individual fixture for up to 90 minutes. <u>Must be ordered with EBCM or EBAM indicator module.</u>
EBCM	Ceiling-mounted Indicator Module	In grid ceiling applications, this unit connects to the EB10 and is recess mounted in an adjacent panel where it displays the unit's current status of operation.
EBAM	Adhesive-mounted Indicator Module	In drywall/open ceiling applications, this unit connects to the EB10 and is mounted via adhesive, where it displays the unit's current status of operation.