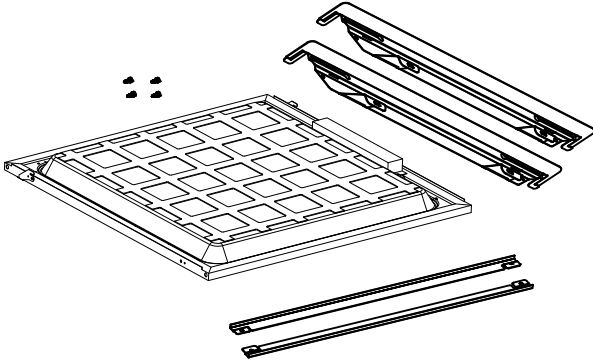


LITETRONICS®

LED Light Panel Retrofit (C-Series)

Installation Instructions

PRC-Series | 2' x 2', 2' x 4' & 1' x 4'



WHAT COMES IN THE BOX

2 Mounting rails
2 Side rails
1 LED Light Panel Retrofit
4 Self tapping screws

Installation Instructions
2 Safety cables
1 Quick Connect
1 Luminaire label

TOOLS NEEDED

Screwdriver or power drill

SAFETY INSTRUCTIONS AND WARNINGS

WARNINGS

Risk of fire or electric shock. LED Light Panel Retrofit kit installation requires knowledge of luminaire's electrical system. If not qualified, do not attempt installation. Contact a qualified electrician. Luminaire wiring and electrical parts may be damaged when drilling for installation of retrofit kit. Check for enclosed wiring and components. Do not make or alter any open holes in the enclosure of wiring or electrical components during kit installation.

Install this kit only in luminaires that have the construction features and dimensions shown in the photographs and/or drawings and where the input rating of the retrofit kit does not exceed the input rating of the luminaire. Only those open holes indicated in the photographs and/or drawings may be made or altered as a result of kit installation. Do not leave any other open holes in an enclosure of wiring or electrical components.

To prevent wiring damage or abrasion, do not expose wiring to edges of sheet metal or other sharp objects.

This LED Light Panel Retrofit kit shall only be installed into a UL/C-UL listed Fluorescent Recessed, Type IC or Non-IC, listed luminaire with a steel enclosure.

DISCONNECT SAFETY INSTRUCTIONS:

This is a current rated device. Use in applications involving amperage beyond its rating can be dangerous and cause electrical fires. See note on this page for allowable current and voltage levels and do not exceed those levels.

Never remove wires from product as contact with electricity can cause serious injury or death. Shut off power at the circuit breaker or remove fuse when installing this product.

Improperly installed electrical wiring can be dangerous and cause electrical fires. This product must be used in accordance with the current rating and wire sizes listed.

COPPER to COPPER ONLY. Do not use on Aluminum. Temperature rating: 105° C (221° F) maximum. Flame Rated UL94V-0.

INSTALLATION PROCEDURE

READ ALL INSTRUCTIONS BEFORE BEGINNING INSTALLATION

Preparation

1. Turn off power at the electrical panel.
2. Remove the lens/diffuser, tubes and ballast from the existing troffer.
3. Locate the wattage and CCT slide switch, which can be found on the outside of the driver, and adjust to the desired settings.

Wattage settings:

- 2' x 4' fixture: 23W (2,875 lumens) | 30W (3,750 lumens) | 36W (4,500 lumens)
- 2' x 2' fixture: 18W (2,250 lumens) | 22W (2,750 lumens) | 25W (3,125 lumens)
- 1' x 4' fixture: 18W (2,250 lumens) | 22W (2,750 lumens) | 25W (3,125 lumens)

CCT settings:

- 3500K | 4000K | 5000K

Rail installation

4. Insert the mounting rails on the opposite sides of the troffer. Slide them between the troffer and t-grid. See Figure 1.
5. Next, insert the side rails on the remaining opposite sides of the troffer, between the troffer and t-grid, and insert the end tabs into the slots on the mounting rails. See Figure 2.
6. Secure the mounting rails to the troffer using the included self-drilling screws. See Figure 1.

Panel installation

7. Locate the two panel hinges on the side edge of the panel. Insert the hinges into the keyhole on the mounting rails. This will allow the panel to hang freely. See Figure 3.
8. Attach the two seismic safety cables from the panel to the mounting rail clip. See figure 4.
9. Connect power wires AC-L (Black) and AC-N (White) into the open side of the quick-connect.
10. Connect the ground wire.
11. Connect Purple (Dim+) and Pink (Dim-) to *0-10V dimmer (if required) with help of wire nuts (not included).
**Follow dimmer control manufacturer instructions*
12. Apply the luminaire label to the inside of the troffer.
13. Locate the locking latches (2) on the panel and rotate them to the open or install position.
14. Swing the panel up so it's even with the ceiling. Then rotate the locking latches (2) so that they engage the mounting rail tabs. Panel should be flush to ceiling. See Figure 5.
15. Your installation is complete. Once all retrofit kits have been installed you can restore power.

INSTALLATION PROCEDURE

FIGURE 1

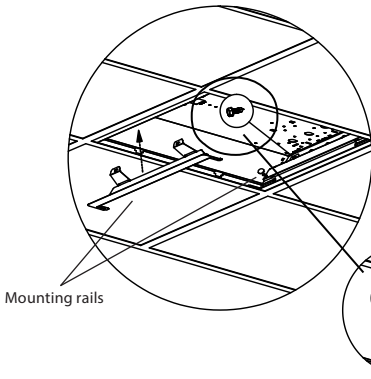


FIGURE 2

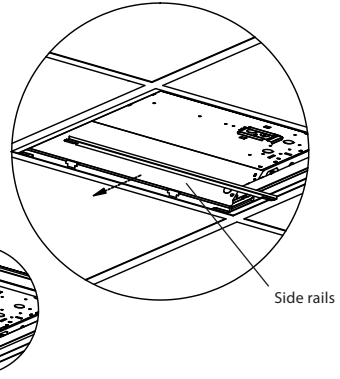


FIGURE 3

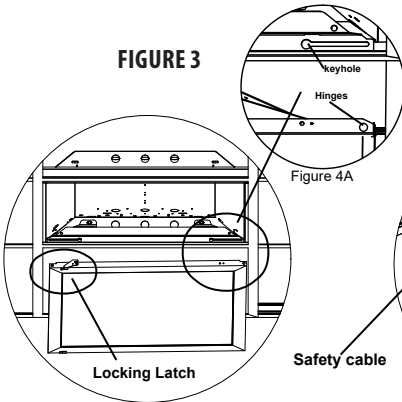


FIGURE 4

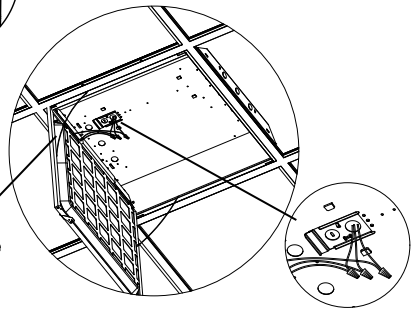
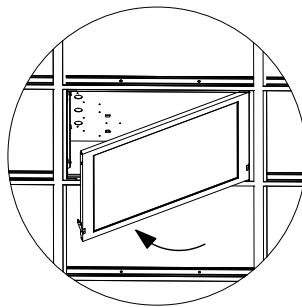


FIGURE 5



Thank you for choosing

LITETRONICS®

6969 W. 73rd Street
Bedford Park, IL 60638

WWW.LITETRONICS.COM

CustomerService@Litetronics.com or 1-800-860-3392



The information and product specifications contained in these instructions are based upon data believed to be accurate at the time of printing. This information is subject to change without notice and without incurring liability. If you have questions regarding specific product details, please contact us at 800-860-3392 or via email at customerservice@litetronics.com.

To check for an updated version of these instructions, please visit www.litetronics.com.

7/28/22-V1.1