

PROJECT:	
CATALOG #	
TYPE:	DATE:

## LED LIGHT PANEL RETROFIT (C-SERIES)

with Selectable Wattage and CCT

### DESCRIPTION

Contractor-Series Value product combining top-of-the-line efficiency with a stylish, modern design, the LED Light Panel Retrofit is an ideal solution for updating interior grid ceiling applications. It can accommodate all standard sizes of fluorescent troffers, including 2' x 4', 2' x 2' or 1' x 4', and it's patented design makes installation simple and quick. The kit can be installed by one person in less than two minutes, without breaking into the ceiling plenum.

Our standard model is equipped with field-adjustable light output, enabling the lumen output and wattage to be set to specific levels based on the needs of the user. This feature enables not only the customization of light output, but also energy used.

The LED Light Panel Retrofit is listed as a DLC Premium product and delivers up to 125 lumens per watt (LPW) over the course of its 50,000-hour rated life. It ensures long-term energy savings over traditional fluorescent bulbs and ballasts, as well as eliminates routine maintenance, making it perfect for updating existing troffers. Furthermore, it's backed by an industry-leading 5-year warranty, guaranteeing peace of mind for the life of your fixture.

### FEATURES

- Selectable Wattage
- Selectable CCT (Kelvin)
- Watt-adjustable light output
- 50,000-hour rated life
- 5-year warranty
- DLC 5.1 Premium (125 LPW)
- Sealed enclosure (Bug/dust free)
- Anti-yellowing frosted diffuser
- Suitable for damp locations
- 120-127V
- 0-10V Dimming
- Compatible with Emergency Battery Backup

### APPLICATIONS

- Drop/grid ceilings
- Fluorescent troffers



### MARKETS

- Schools and universities
- Offices and municipal buildings
- Healthcare facilities and hospitals

### LITETRONICS DIFFERENCE

- Contractor Value Pricing
- Quick Connect
- One Person Installation
- DLC 5.1 Premium

### CERTIFICATIONS



## SPECIFICATIONS

**Life (@L70):** 50,000 hours

**Warranty:** 5 years

### PERFORMANCE

**Operating temp:** -4°F to 122°F (-20°C to 50°C)

**Efficacy (LPW):** 125 LPW

**CRI:** 80

### ELECTRICAL

**Input voltage:** 120-277V

**Input frequency:** 50/60Hz

**PF:** ≥0.95

**THD:** N/A

**Surge protection:** N/A

**Dimming:** 0-10VDC ANSI C137.x compliant

**Minimum dimming:** 0% of rated lumen LED drive current

**Aux. Voltage:** No

**Driver CL:** N/A

**Whip/Cord:** No

**Sensor:** No

### OPTICAL

**Beam:** 110°

**Lens:** Polycarbonate Frosted

**UGR:** <22

### PHYSICAL

**Finish:** Powder Coat

**Color:** White

**Housing:** Painted Steel

### INDUSTRY STANDARDS/RATINGS

**IP:** 20

**IK:** No

**Location:** Damp

**IC:** Yes

**UL/ETL:** ETL

**FCC:** Yes

**RoHS:** Yes

**DLC:** 5.1 Premium

## MOUNTING

**Standard:** T-bar grid (drop ceilings) mounted fluorescent troffers.

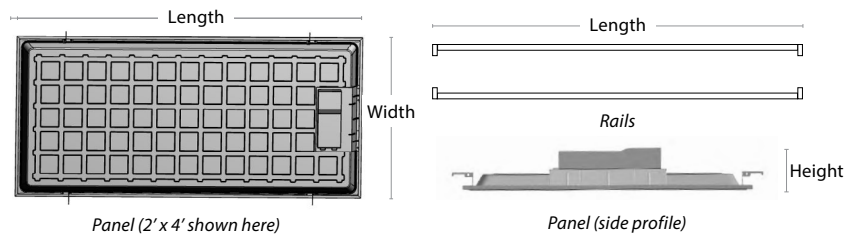
**Wiring access:** 1/2" trade size knockouts.

## ACCESSORIES

### Emergency Battery Backup

## DIMENSIONS / WEIGHT

ORDER#	SIZE	LENGTH	WIDTH	HEIGHT	RAIL LENGTH	WEIGHT
PRCT4	2' x 4'	47.83"	23.86"	1.625"	47"	13.58 lbs
PRCT2	2' x 2'	23.82"	23.86"	1.625"	23"	8.23 lbs
PRCT1	1' x 4'	47.83"	11.89"	1.625"	47"	8.71 lbs



## PRODUCT OVERVIEW AND INSTALLATION

FIGURE 1

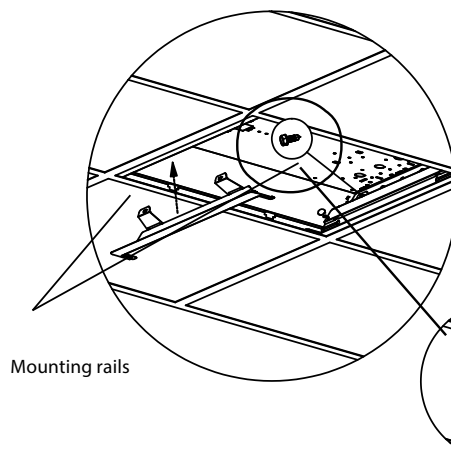
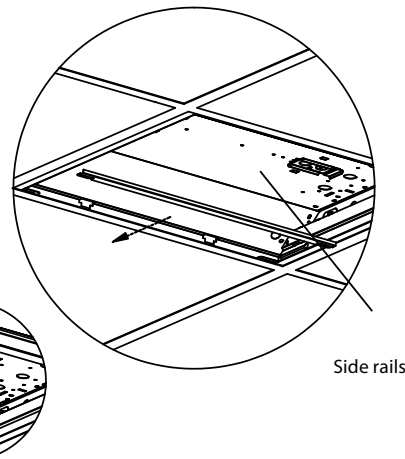


FIGURE 2



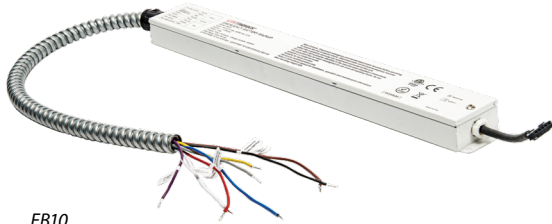
The mounting rails are inserted between the troffer and grid rail on opposite sides with the anti-rotational tabs pointed inward and notches facing up.

The panel hangers are inserted into the notches on the mounting rail, enabling the panel to hang freely while electrical connections are completed.

## ORDERING INFORMATION

Listed below are the max wattage settings and lumens for each model number.

ORDERING CODE	DESCRIPTION	SIZE	WATTS	VOLTS	CCT (K)	LUMENS
PRCT4	LED Light Panel Retrofit	2' x 4'	23   30   36	120-277	3500   4000   5000	2875   3750   4500
PRCT2	LED Light Panel Retrofit	2' x 2'	18   22   25	120-277	3500   4000   5000	2250   2750   3125
PRCT1	LED Light Panel Retrofit	1' x 4'	18   22   25	120-277	3500   4000   5000	2250   2750   3125



EB10



EBCM



EBAM



TR01

## ACCESSORIES

MODEL #	DESCRIPTION	USAGE
EB10	10W Emergency Battery Backup	Supplies battery backup to an individual fixture for up to 90 minutes. <u>Must be ordered with EBCM or EBAM indicator module.</u>
EBCM	Ceiling-mounted Indicator Module	In grid ceiling applications, this unit connects to the EB10 and is recess mounted in an adjacent panel where it displays the unit's current status of operation.
EBAM	Adhesive-mounted Indicator Module	In drywall/open ceiling applications, this unit connects to the EB10 and is mounted via adhesive, where it displays the unit's current status of operation.
TR01	LED Emergency Light Test Remote	This accessory is required to operate and test the EMBB. Only one remote required per area, building or site as necessary.