

PROJECT:	
CATALOG #	
TYPE:	DATE:

## LIGHT PANEL RETROFIT

### FIELD-ADJUSTABLE LIGHT OUTPUT & SELECTABLE CCT

#### DESCRIPTION

Combining top-of-the-line efficiency with a stylish, modern design, the LED Light Panel Retrofit is an ideal solution for updating interior grid ceiling applications. It can accommodate all standard sizes of fluorescent troffers, including 2' x 4', 2' x 2' or 1' x 4', and its patented design makes installation simple and quick. The kit can be installed by one person in less than two minutes, without breaking into the ceiling plenum.

Our standard model is equipped with field-adjustable light output, enabling the lumen output and wattage to be set to one of five specific levels based on the needs of the user. This feature enables not only the customization of light output, but also puts a cap on the amount of energy being used.

The LED Light Panel Retrofit is listed as a DLC Premium product and delivers up to 125 lumens per watt (LPW) over the course of its 100,000-hour rated life. It ensures long-term energy savings over traditional fluorescent bulbs and ballasts, as well as eliminates routine maintenance, making it perfect for updating existing troffers. Furthermore, it's backed by an industry-leading 10-year warranty, guaranteeing peace of mind for the life of your fixture.



#### FEATURES

- Field-adjustable light output
- Selectable CCT (3500, 4000, 5000K)
- 100,000-hour rated life
- 10-year warranty
- DLC Premium (125 LPW)
- Sealed enclosure (Bug/dust free)
- Anti-yellowing frosted diffuser
- Suitable for damp locations
- 0-10V Dimming
- Compatible with Emergency Battery Backup

#### MARKETS

- Schools and universities
- Offices and municipal buildings
- Healthcare facilities and hospitals

#### APPLICATIONS

- Drop/grid ceilings
- Fluorescent troffers

#### CERTIFICATIONS



## SPECIFICATIONS

**Life (@L70):** 100,000 hours

**Warranty:** 10 years

### PERFORMANCE

**Operating temp:** -4°F to 113°F (-20°C to 45°C)

**Efficacy (LPW):** 125 LPW

**CRI:** 80

### ELECTRICAL

**Input voltage:** 120-277V

**Input frequency:** 50/60Hz

**PF:** ≥.95

**THD:** N/A

**Surge protection:** ANSI C82.77 compliant

**Dimming:** 0-10VDC ANSI C137.x compliant

**Minimum dimming:** 0% of rated lumen LED drive current

**Aux. Voltage:** No

**Driver Class:** N/A

**Whip/Cord:** No

**Sensor:** No

### OPTICAL

**Beam:** N/A

**Lens:** Polycarbonate Frosted

**UGR:** N/A

### PHYSICAL

**Finish:** Powder Coat

**Color:** White

**Housing:** Painted Steel

### INDUSTRY STANDARDS/RATINGS

**IP:** 20

**IK:** N/A

**Location:** Damp

**IC:** N/A

**UL/ETL:** ETL

**FCC:** Yes

**RoHS:** Yes

**DLC:** Premium

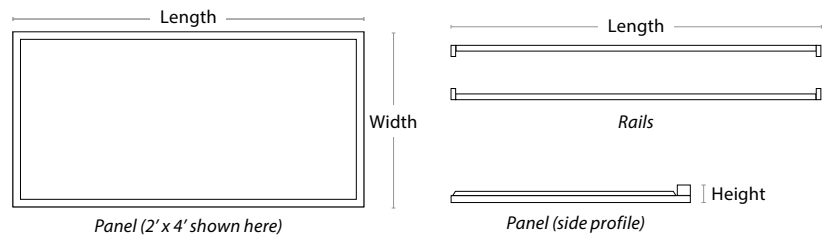
## MOUNTING

**Standard:** T-bar grid (drop ceilings) mounted fluorescent troffers

**Wiring access:** 1/2" trade size knockouts

## DIMENSIONS / WEIGHT

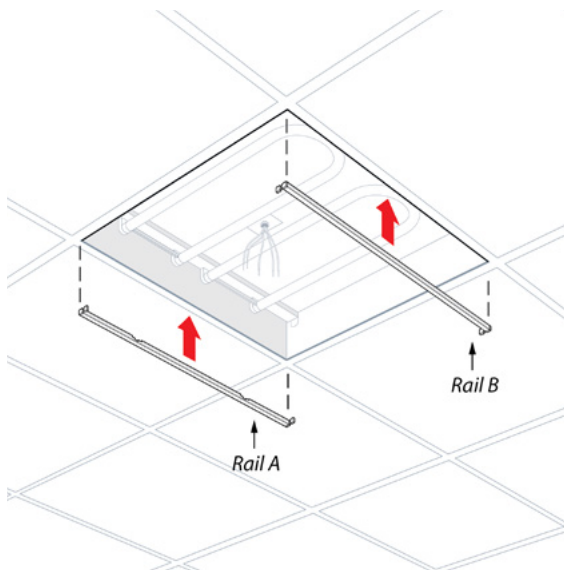
ORDER#	SIZE	LENGTH	WIDTH	HEIGHT	RAIL LENGTH	WEIGHT
PRT4	2' x 4'	45"	21"	1.625"	47"	9.5 lbs
PRT2	2' x 2'	21"	21"	1.625"	23"	6.06 lbs
PRT1	1' x 4'	45"	10.5"	1.625"	47"	6.68 lbs



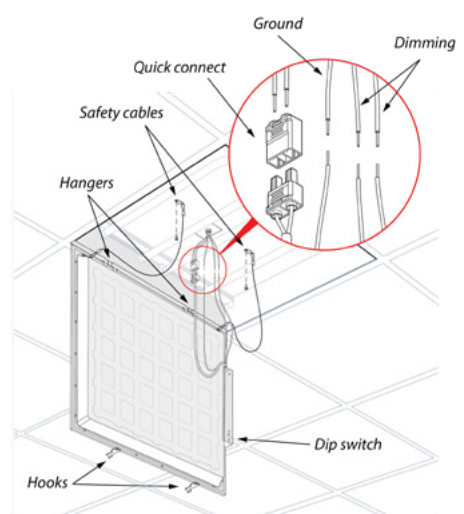
## ACCESSORIES

### Emergency Battery Backup

## PRODUCT OVERVIEW AND INSTALLATION



The mounting rails are inserted between the troffer and grid rail on opposite sides with the anti-rotational tabs pointed inward and notches facing up.



The panel hangers are inserted into the notches on the mounting rail, enabling the panel to hang freely while electrical connections are completed.

## ORDERING INFORMATION

Listed below are the max wattage settings and lumens for each model number.

ORDERING CODE	DESCRIPTION	SIZE	WATTS	VOLTS	CCT (K)	LUMENS
PRT4	LED Light Panel Retrofit	2' x 4'	25   30   40   45   50	120-277V	3500   4000   5000	3,125   3,750   5,000   5,625   6,250
PRT2	LED Light Panel Retrofit	2' x 2'	18   20   25   30   36	120-277V	3500   4000   5000	2,250   2,500   3,125   3,750   4,500
PRT1	LED Light Panel Retrofit	1' x 4'	18   20   25   30   36	120-277V	3500   4000   5000	2,250   2,500   3,125   3,750   4,500

EB10



EBCM



EBAM



TR01



## EMERGENCY BATTERY BACKUP

MODEL #	DESCRIPTION	USAGE
EB10	10W Emergency Battery Backup	Supplies battery backup to an individual fixture for up to 90 minutes. <u>Must be ordered with EBCM or EBAM indicator module.</u>
EBCM	Ceiling-mounted Indicator Module	In grid ceiling applications, this unit connects to the EB10 and is recess mounted in an adjacent panel where it displays the unit's current status of operation.
EBAM	Adhesive-mounted Indicator Module	In drywall/open ceiling applications, this unit connects to the EB10 and is mounted via adhesive, where it displays the unit's current status of operation.
TR01	LED Emergency Light Test Remote	This accessory is required to operate and test the EMBB. • Only one remote required per area, building or site as necessary.