

LED LINEAR HIGH BAY

DESCRIPTION

The LED Linear High Bay goes above and beyond the standards, delivering top-of-the-line efficiency and versatility that results in a truly optimized approach to each application.

This high bay is available in a range of wattages and features selectable CCT functionality, allowing the installer to choose between 4000K or 5000K. The options don't end there; each unit can accommodate a pluggable sensor that enables increased energy saving features such as occupancy sensing and daylight harvesting, both of which can be adjusted via remote control. Our Smart Sensor enables the same energy saving features, but can be setup and managed on a group level via the LiteSmart mobile app.

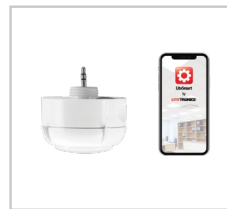
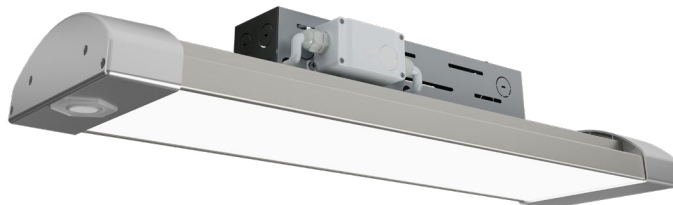
The fixture also offers versatility in installation. It comes standard with suspension cables and a 10' cord, making it an easy upgrade from linear fluorescent fixtures. For pendant or surface mounting, a single mounting kit covers both options.

FEATURES

- Pluggable sensor (enabling occupancy sensing or daylight harvesting)
- Compatibility with LiteSmart mobile app
- Selectable CCT (4000K or 5000K)
- UL rated for damp locations
- DLC Premium (160 LPW)
- 100,000-hour rated life
- 10-year warranty
- Polycarbonate, frosted lens
- 120-277V or 277-480V
- 0-10V dimming
- Emergency battery backup available

APPLICATIONS

- Warehouse & storage
- Industrial facilities
- Sports facilities & gyms
- Manufacturing facilities
- Retail centers



MOUNTING

- Suspension
- Pendant
- Surface

CERTIFICATIONS



SPECIFICATIONS

Average rated life (@L70) and warranty based on operating temperature:

-4°F to 113°F = 100,000 hours | 10-year

-4°F to 122°F = 75,000 hours | 7-year

-4°F to 131°F = 50,000 hours | 5-year

Surge protection: ANSI C82.77 compliant

Input voltage: 120-277V or 277-480V

Input frequency: 50/60Hz

Power factor: ≥ 0.9

Beam angle: 110°

CRI: 80

Standard dimming: 0-10VDC ANSI

C137.x compliant

Minimum dimming: 0% of rated lumen

LED drive current

Location rating: Damp

IP rating: 50

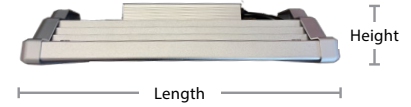
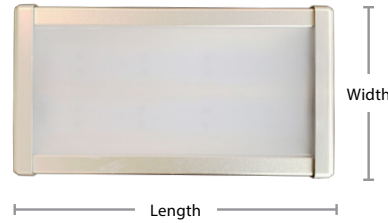
UL/cUL listed: Yes

RoHS compliant: Yes

DLC rating: Premium

SIZING

WATTAGE	WIDTH	LENGTH	HEIGHT
88W	7.2"	19"	4.4"
112W	7.2"	23"	4.4"
148W	7.2"	27"	4.4"
248W	7.2"	39"	4.4"



ORDERING

LHB88



LHB112



LHB148



LHB248



ORDERING CODE	DESCRIPTION	WATTS	VOLTS	CCT (K)	LUMENS
LHB88	88W Linear High Bay with Selectable CCT	88	120-277	4000K 5000K	14,080
LHB112	112W Linear High Bay with Selectable CCT	112	120-277	4000K 5000K	17,920
LHB148	148W Linear High Bay with Selectable CCT	148	120-277	4000K 5000K	23,680
LHB248	248W Linear High Bay with Selectable CCT	248	120-277	4000K 5000K	39,680

SC005



SC007



SCR053



LHBAM22



EB20



EBAM



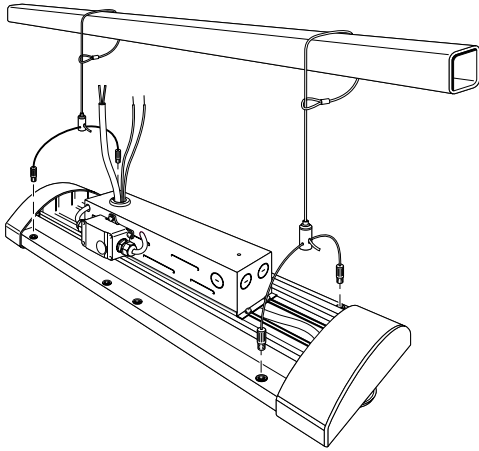
BCS01



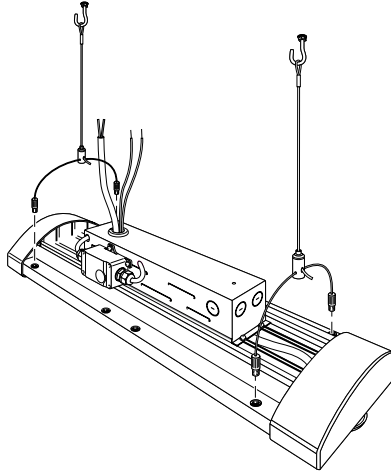
ORDERING CODE	DESCRIPTION	USAGE
SC005	Plug-in PIR Sensor	Enable occupancy sensing and daylight harvesting on pluggable fixtures
SCR053	Remote Control	Used (with SC005 sensor) to adjust settings after installation
SC007	Plug-in Smart Sensor	Enable occupancy sensing, daylight harvesting, and group control via LiteSmart mobile app
LHBAM22	Pendant & surface mount kit	Used to pendant mount or surface mount the LED Linear High Bay
EB20	20W Emergency Battery Backup	Supplies 90 minutes of battery backup to the fixture in times of a power outage. <ul style="list-style-type: none"> This unit is compatible with fixtures using >100W and <200W. This unit is not currently compatible with sensor usage. The unit must be orderd with indicator module EBAM.
EBAM	Adhesive-mounted Indicator Module	In drywall/open ceiling applications, this unit connects to the EB10 and is mounted via adhesive, where it displays the unit's current status of operation.
BCS01	Bluetooth control switch	Used to control functionality of the fixture; on/off, dimming, daylight harvesting and scene selection.

PRODUCT OVERVIEW & INSTALLATION

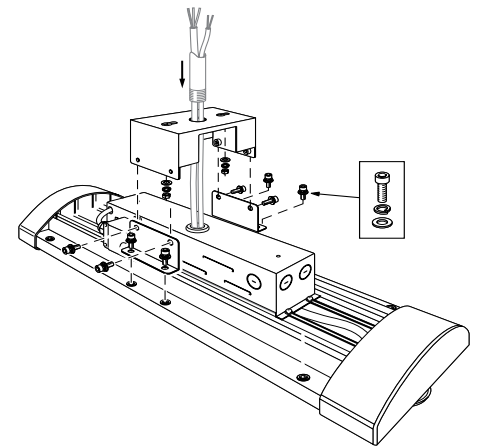
SUSPENDED FROM BEAM



SUSPENDED FROM ANCHORED HOOKS

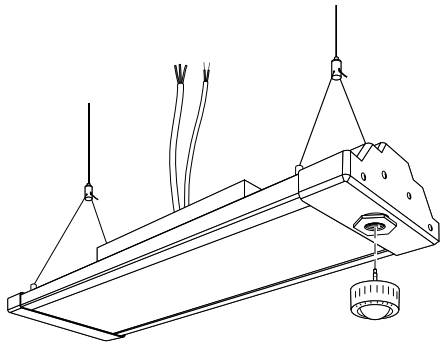


PENDANT/SURFACE MOUNTING KIT



Suspension cables are included with the standard units. The Pendant/surface mounting kit must be ordered separately.

WIRELESS CONTROL WITH PLUGGABLE SENSORS



The standard PIR sensor uses a remote control for easy setup and control of individual fixtures.



The smart PIR sensor uses the LiteSmart mobile app for group setup and management.

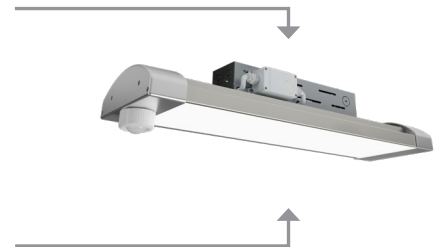


LITESMART



LiteSmart is a mobile app that enables total management of lighting systems at the touch of your fingers. Within the app, all functionality can be set up and controlled; on/off, dimming, grouping, scene creation and time scheduling. Adjustments can also be made to the occupancy sensor and daylight harvesting settings, then implemented across an entire group in seconds.

- Total control over your lighting system
- Quick and easy changes that can be implemented in seconds across a group of fixtures
- Further energy reduction via occupancy sensing, daylight harvesting and max wattage control
- Ability to create custom scenes based on specific needs, such as presentations
- Time scheduling that sets hours of operation per day



Set up and manage your space with LiteSmart.
Use the remote switch for everyday control.