

LED STAIRWELL FIXTURE

DESCRIPTION

The LED Stairwell Fixture is a modern, energy-efficient, linear lighting solution specifically designed for limited use areas such as stairwells. Equipped with a microwave occupancy sensor and daylight sensor, the fixture reduces energy use by automatically adjusting its output based on occupancy and available light in the space.

Designed with versatility in mind, the fixture includes adjustable color temperature as well as adjustable wattage, allowing the installer to fine-tune the fixture to better meet the needs of the application.

The fixture can be surface, suspension, or t-grid mounted and its lightweight, two-piece design makes installation quick and easy, reducing overall project time.



FEATURES

- Integrated sensors for occupancy sensing and daylight harvesting
- Adjustable color temperature (3500K, 4000K, 5000K)
- Adjustable light output/wattage
- 130 lumens per watt (lm/W)
- DLC Premium
- ETL rated for damp locations
- 10-year warranty
- 100,000-hour rated life (@L70)
- 0-10V dimming (0% minimum)
- Polycarbonate frosted lens with translucent end caps

SPECIFICATIONS

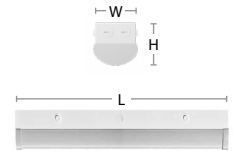
- Input voltage: 120-277V
- Operating temp: -4°F – 113°F
- Beam angle: 120°
- CRI: >80
- Lumens per Watt: 130
- Surge protection: 2KV
- Power factor: > 0.9
- THD (Max): <20
- Input frequency: 50/60
- IP rating: 20
- Average rated life (@L70): 100,000-hours
- Warranty: 10-years
- ETL listed: Yes
- Location rating: Damp
- DLC rating: Premium
- RoHS Compliant: Yes

APPLICATIONS

- Commercial
- Industrial
- Retail
- Manufacturing
- Warehouse
- Display
- Corridors
- Storage
- Stairways

DIMENSIONS

SIZE	LENGTH	WIDTH	HEIGHT	WEIGHT
4'	48.04"	3.26"	2.95"	3.75 lbs



MOUNTING

- Surface
- Suspension
- T-grid (standard or angled for wall wash applications)

CERTIFICATIONS

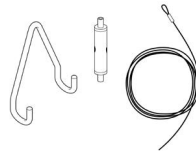


ORDERING

Listed below are the included wattage settings and lumens for each model number.

ROOT MODEL #	DESCRIPTION		
SWFS4	4' LED Stairwell Fixture		
EXT. MODEL #	WATTS	LUMENS	CCT
SWFS43530	30	3,900	3500
SWFS44030	30	3,900	4000
SWFS45030	30	3,900	5000
SWFS43540	40	5,200	3500
SWFS44040	40	5,200	4000
SWFS45040	40	5,200	5000
SWFS43550	50	6,500	3500
SWFS44050	50	6,500	4000
SWFS45050	50	6,500	5000

ORDERING CODE	DESCRIPTION	USAGE
SFAM02	Suspension Mount Kit	Suspend Strip Fixtures from ceiling surface. Note: Two kits needed for 8' assembly. Cable is 5' in length. Weight rating is 25 lbs.
SCR053	Sensor Remote Control	Used to program sensor sensitivity and settings from the ground.

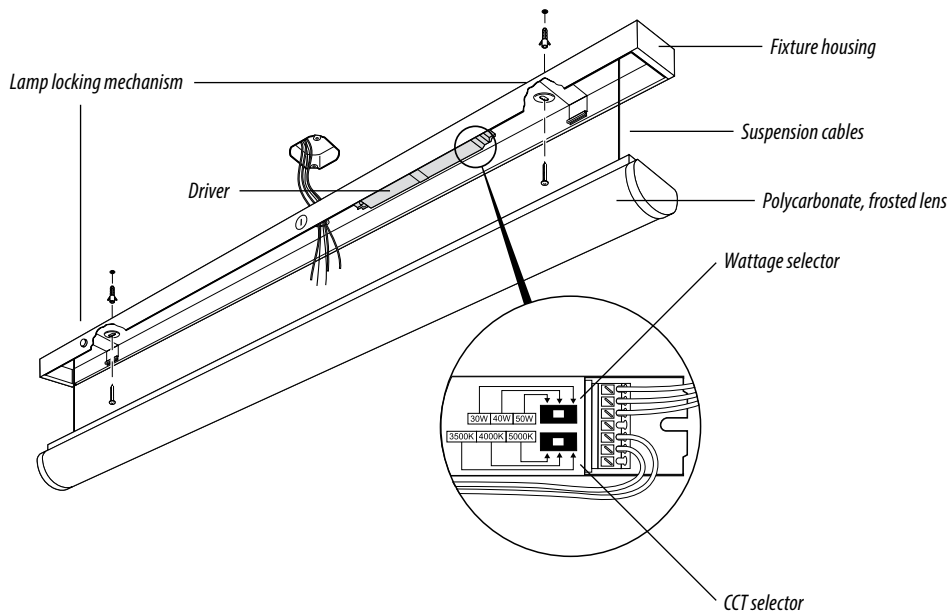


SFAM02



SCR053

OVERVIEW AND INSTALLATION



The LED Stairwell Fixture includes a built-in occupancy sensor and daylight sensor. Settings for each can be adjusted via remote control (part # SCR053). Below are the default settings that will be initially active:

- Sensitivity: 100%
- Hold time: 10 seconds
- Daylight: 30 lux
- Stand-by level: 30%
- Stand-by time: 60 minutes

HAVE QUESTIONS?

Our Customer Service team can help. Call us at 800-860-3392 or send an email to customerservice@litetronics.com