

PROJECT:	
CATALOG #	
TYPE:	DATE:

## LED STAIRWELL FIXTURE

### FULLY SELECTABLE

#### DESCRIPTION

The LED Stairwell Fixture is a modern, energy-efficient, linear lighting solution specifically designed for limited use areas such as stairwells. Equipped with a microwave occupancy sensor and daylight sensor, the fixture reduces energy use by automatically adjusting its output based on occupancy and available light in the space.

Designed with versatility in mind, the fixture includes adjustable color temperature as well as adjustable wattage, allowing the installer to fine-tune the fixture to better meet the needs of the application.

The fixture can be surface, suspension, or surface mounted and its lightweight, two-piece design makes installation quick and easy, reducing overall project time.



#### FEATURES

- Integrated sensors for occupancy sensing and daylight harvesting
- Adjustable color temperature (3500K, 4000K, 5000K)
- Adjustable light output/wattage
- 130 lumens per watt (lm/W)
- DLC Premium
- ETL rated for damp locations
- 10-year warranty
- 100,000-hour rated life (@L70)
- 0-10V dimming (0% minimum)
- Polycarbonate frosted lens with translucent end caps

#### APPLICATIONS

- Commercial
- Industrial
- Retail
- Manufacturing
- Warehouse
- Corridors
- Storage
- Stairways
- Garage
- Mechanical & Equipment Rooms

#### MOUNTING

- Surface
- Suspension

#### CERTIFICATIONS



## SPECIFICATIONS

**Life (@L70):** 100,000 hours

**Warranty:** 10 years

### PERFORMANCE

**Operating temp:** -4°F to 113°F (-20°C to 45°C)

**Efficacy (LPW):** 130 LPW

**CRI:** 80

### ELECTRICAL

**Input voltage:** 120-277V

**Input frequency:** 50/60Hz

**PF:** ≥.9

**THD:** <20

**Surge protection:** 2KV

**Dimming:** 0-10V

**Minimum dimming:** 0% minimum

**Aux. Power Tap:** N/A

**Driver CL:** N/A

**Whip/Cord:** No

**Sensor:** Microwave

### OPTICAL

**Beam:** 120°

**Lens:** Polycarbonate Frosted

**UGR:** N/A

### PHYSICAL

**Finish:** Powder Coat

**Color:** White

**Housing:** Steel Channel

### INDUSTRY STANDARDS/RATINGS

**IP:** 20

**IK:** N/A

**Location:** Damp

**IC:** N/A

**UL:** No

**ETL:** Yes

**FCC:** Yes

**RoHS:** Yes

**DLC:** 5.1 Premium

## SIZING

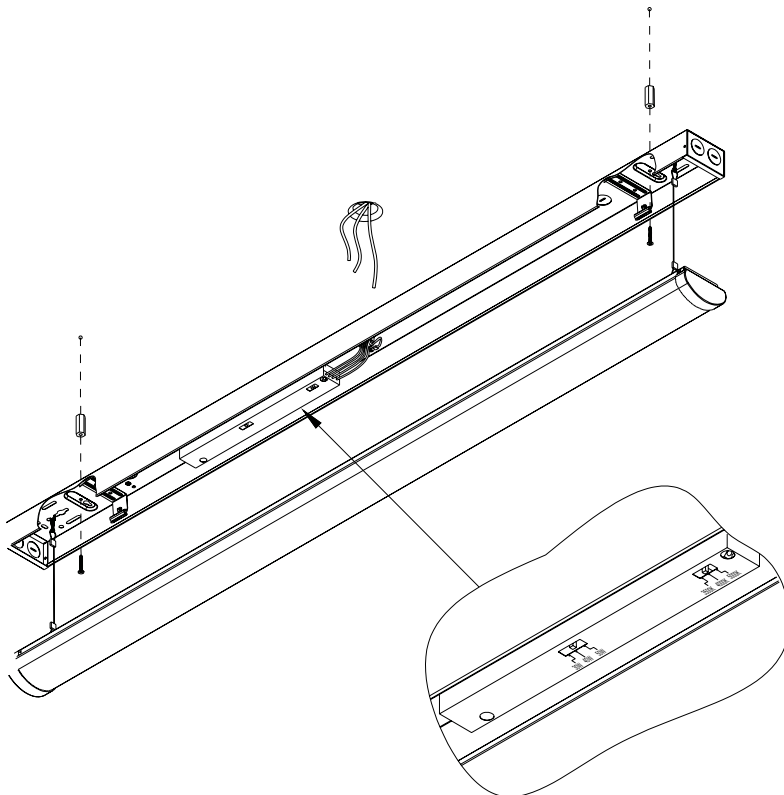
ORDER#	SIZE
SWFS4	4'

## DIMENSIONS / WEIGHT

ORDER#	LENGTH	WIDTH	HEIGHT	WEIGHT
SWFS4	48.04"	3.26"	2.95"	3.75 lbs



## PRODUCT OVERVIEW AND INSTALLATION



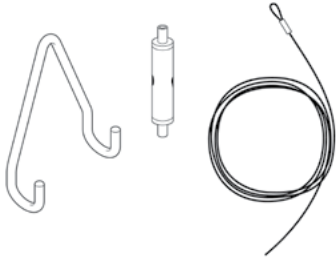
The LED Stairwell Fixture includes a built-in occupancy sensor and daylight sensor. Settings for each can be adjusted via remote control (part # SCR053). Below are the default settings that will be initially active:

- Sensitivity: 100%
- Hold time: 10 seconds
- Daylight: 30 lux
- Standby level: 30%
- Standby time: 60 minutes
- Fixture hold time may be programmed to maintain standby light level for infinity, preventing 'full-off'

## ORDERING INFORMATION

Listed below are the included wattage settings and lumens for each model number.

ROOT MODEL #	DESCRIPTION			
SWFS4	4' LED Stairwell Fixture			
EXT. MODEL #	WATTS	CCT	LUMENS	
SWFS43530	30	3500	3,900	
SWFS44030	30	4000	3,900	
SWFS45030	30	5000	3,900	
SWFS43540	40	3500	5,200	
SWFS44040	40	4000	5,200	
SWFS45040	40	5000	5,200	
SWFS43550	50	3500	6,500	
SWFS44050	50	4000	6,500	
SWFS45050	50	5000	6,500	



SFAM02



SCR053



EBCM

EBAM



TR01

ORDERING CODE	DESCRIPTION	USAGE
SFAM02	Suspension Mount Kit	Suspend Strip Fixtures from ceiling surface. Note: Cable is 5' in length. Weight rating is 25 lbs.
SCR053	Sensor Remote Control	Used to program sensor sensitivity and settings from the ground.
EB10	10W Emergency Battery Backup	Supplies battery backup to an individual fixture for up to 90 minutes. Must be ordered with indicator module (EBCM or EBAM).
EBCM	Ceiling-mounted Indicator Module	In grid ceiling applications, this unit connects to the EB10 and is recess mounted in an adjacent panel where it displays the unit's current status of operation.
EBAM	Adhesive-mounted Indicator Module	In drywall/open ceiling applications, this unit connects to the EB10 and is mounted via adhesive, where it displays the unit's current status of operation.
TR01	Test Remote Control	Used for testing and demonstrating the functionality of EB10 emergency battery backup integrated products. • Only one remote required per area, building or site as necessary.