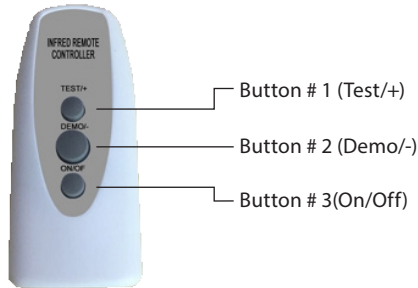


## Test Remote for LED fixtures with integrated EBB Operation Instructions

Part # TR01



### Instructions for Remote Control

**Please note:** Remote must be pointed at red indicator light and be within a 45 degree angle to receive a signal/command. Remote needs two AAA batteries to operate (not included).

**Testing:** To test emergency functionality, press the **TEST/+** button. The light will switch to its emergency state for 3 seconds and the indicator light will flash red. After 3 seconds, the fixture will return to normal operation.

**Demonstration:** To demonstrate the emergency functionality, start with the fixture powered on and in normal operation. Press the **DEMO** button, then press the **On/OFF** button. The fixture will switch to its emergency state. Repeat this operation and the fixture will return to normal operation.

### For use with LED Light Panel (PTM Series)

The red indicator light on the LED Light Panel is located behind the lens and will only be visible when in emergency or test mode.



## For use with LED Emergency Light (HBEM Series)

### Automatic Self-testing

The fixture includes an automatic monthly self-testing function, which operates at 30-day intervals for 5 minutes and 360-day intervals for 90 minutes. During testing, the red indicator light will remain on.

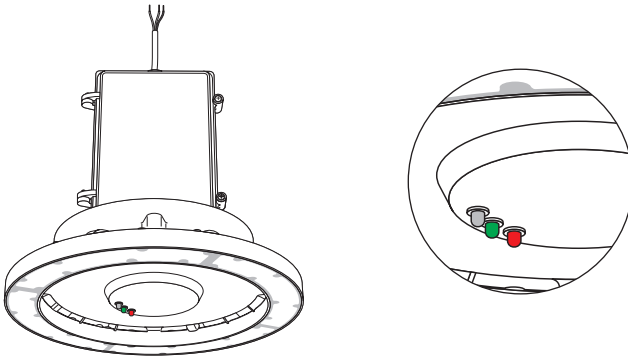
### Remote Testing

Follow instructions on page 1.

### Decrease output power/time

By default, the HBEM uses 30W and delivers 90 minutes of light in times of power loss. However, this can be adjusted to output 70% of full power for a total of 120 minutes.

To adjust output, press and hold the ON/OFF button for 5 seconds. The green indicator light will flash and the change will be saved. Repeat this operation and the fixture will revert back to 100% at 90 minutes.



This information is subject to change without notice and without incurring liability. If you have questions, please contact us at 800-860-3392 or via email at [customerservice@litetronics.com](mailto:customerservice@litetronics.com). You can also visit [www.Litetronics.com](http://www.Litetronics.com).