

LITETRONICS®

LED Emergency Light

For High Bay Applications

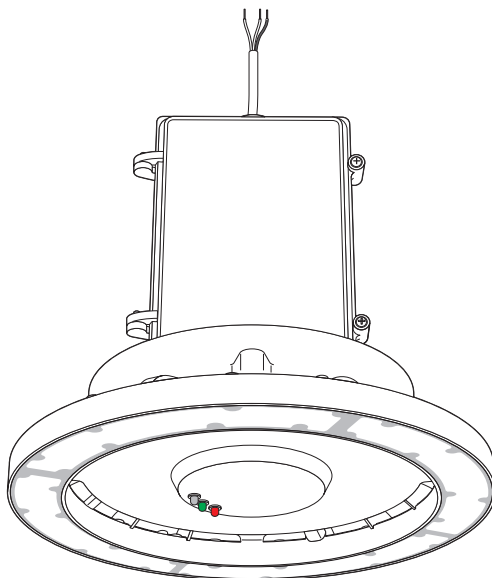
Ordering Code: HBEM Series

WHAT COMES IN THE BOX

- (1) LED Emergency Light
- (1) Mounting hook
- (1) 5' Safety cable (attached to lamp)
- (1) Installation instructions

TOOLS NEEDED

- Wire Stripper
- Wire Cutter



SAFETY INSTRUCTIONS AND WARNINGS

WHEN USING ELECTRICAL EQUIPMENT, BASIC SAFETY PRECAUTIONS SHOULD ALWAYS BE OBSERVED

READ AND FOLLOW ALL SAFETY INSTRUCTIONS.

- Consult a qualified electrician to ensure correct branch circuit conductor.
- Consulter un électricien qualifié pour vous assurer que les conducteurs de la dérivation sont adéquats.
- This product must be installed in accordance with the applicable installation code by a person familiar with the construction and operation of the product and the hazards involved.
- Ce produit doit être installé selon le code d'installation pertinent, par une personne qui connaît bien le produit et son fonctionnement ainsi que les risques inhérents.
- Installation should only be conducted by a qualified electrician in accordance with NEC and any relevant local building codes.
- Risk of fire or electric shock. High Bay installation requires knowledge of luminaires electrical systems. If not qualified, do not attempt installation. Contact a qualified electrician.
- Be certain electrical power is OFF before and during installation and maintenance.
- High Bay must be connected to a wiring system with an equipment-grounding conductor.
- Make sure the supply voltage is the same as the rated High Bay voltage.
- To prevent wiring damage or abrasion, do not expose wiring to edges of sheet metal or sharp objects.
- No user serviceable parts inside of High Bay luminaires.
- Secure heat sink with safety cable.

MOUNTING

The LED Emergency Light can be suspension or pendant (1/2" NPT) mounted.

Before beginning installation, turn off power at the circuit breaker.

SUSPENSION MOUNTING

1. The LED Emergency Light can be mechanically supported to hook, chain or cable (not included) by securing to the mounting hook (included) on top of fixture. See figure B.
2. Once fixture is supported, attach the included safety cable to a beam or structural support.
3. Tighten the set screw to secure the hook to its base.

PENDANT MOUNTING

1. Leave the mounting hook off and screw 1/2" conduit directly into the fixture. See figure C.
2. Once fixture is supported, attach the included safety cable to a beam or structural support.
3. Tighten the set screw to secure the pipe to its base.

WIRING

1. Open the junction box cover. See figure D.
2. Determine input voltage for the building and set fixture to the corresponding voltage. Default voltage is 120-277V.
 - Remove the transparent cover on the terminal block.
 - Connect the Live wire to the correct input voltage, then tighten to secure.
 - Reattach the cover on the terminal block.
3. Connect the halves of the orange multi-pin battery connectors.
4. Close the junction box cover.
5. Once the voltage is set, connect input wire to AC branch circuits as noted in figure A. This should be in accordance with national and local codes.

When complete, restore power at the circuit breaker.

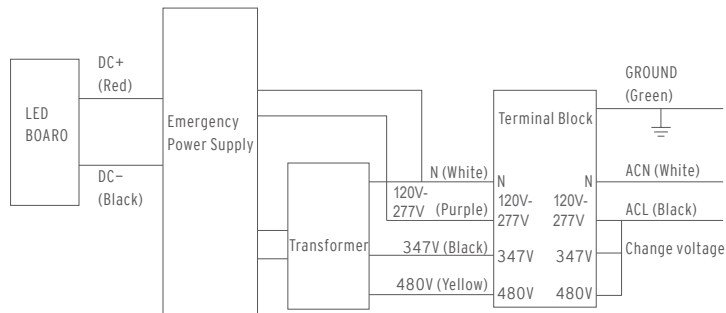


Figure A

SUSPENSION MOUNTING

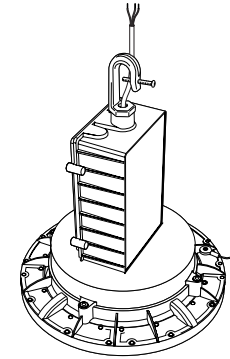


Figure B

PENDANT MOUNTING

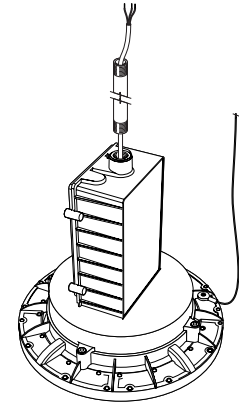


Figure C

VOLTAGE SELECTION

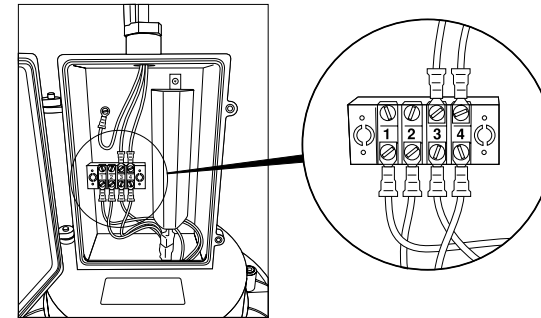
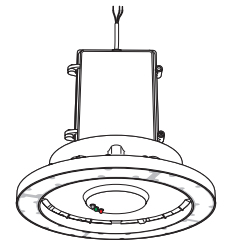


Figure D

1. 480V
2. 347V
3. 120, 277V
4. N

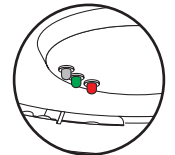
OPERATION

- Once installed and powered on, the battery will begin to charge. The red indicator light will remain on until fully charged, which takes approximately 24 hours.
- Once fully charged, the green indicator light will illuminate and remain on as long as the battery remains full.
- If red and green lights flash alternately, a problem has been detected. Contact Litetronics for troubleshooting.
- In the event of a power failure, the fixture delivers 90 minutes of emergency light, during which the red light will flash on/off.



TESTING

- The fixture includes an automatic monthly self-testing function, which operates at 30-day intervals for 5 minutes and 360-day intervals for 90 minutes. During testing, the red indicator light will remain on.
- Additional testing and demo functionality is available via a remote control, part # TR01 (sold separately).



Thank you for choosing

LITETRONICS®

6969 W. 73rd Street
Bedford Park, IL 60638

WWW.LITETRONICS.COM

CustomerService@Litetronics.com or 1-800-860-3392



The information and product specifications contained in these instructions are based upon data believed to be accurate at the time of printing. This information is subject to change without notice and without incurring liability. If you have questions regarding specific product details, please contact us at 800-860-3392 or via email at customerservice@litetronics.com.

To check for an updated version of these instructions, please visit www.litetronics.com.

9/11/20