

LED VOLUMETRIC TROFFER

10-Year Limited Warranty

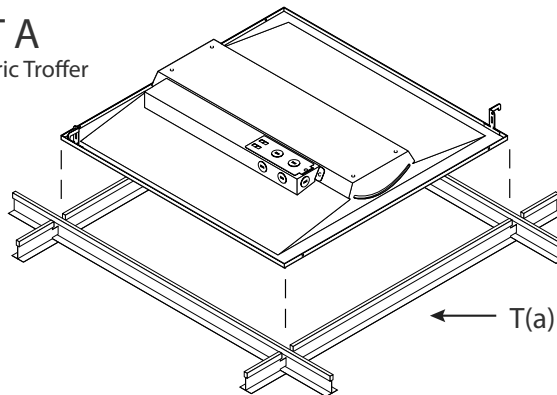
LITETRONICS WARRANTS EACH LITETRONICS LED PRODUCT TO BE FREE FROM DEFECTS OF MATERIAL AND WORKMANSHIP, AND TO OPERATE WITHIN THE MANUFACTURER'S RANGE OF SPECIFICATIONS COMMENCING FROM THE DATE OF PURCHASE AND CONTINUING FOR A PERIOD OF 10 YEARS ("WARRANTY PERIOD") OR 100,000 HOURS BURN TIME, WHICHEVER COMES FIRST, SUBJECT TO THE TERMS AND CONDITIONS SPECIFIED BELOW. IF THE PURCHASE DATE IS NOT KNOWN, AVAILABLE, OR VERIFIABLE, THEN THE WARRANTY PERIOD WILL BE DEEMED TO COMMENCE ON THE DATE OF MANUFACTURE. THIS WARRANTY SPECIFICALLY EXCLUDES ANY AND ALL DIRECT OR INDIRECT LABOR COSTS OR RELATED CHARGES AND ANY OTHER EXPENSES INCURRED IN CONNECTION WITH THE REPLACEMENT OF WARRANTED ITEMS UNDER THIS WARRANTY, EXCEPT AS PROVIDED FOR SPECIFICALLY HEREIN.

IF THE LITETRONICS LED PRODUCT FAILS TO OPERATE FOR THE WARRANTY PERIOD, LITETRONICS, AT ITS OPTION, WILL REPAIR OR REPLACE THE PRODUCT IN ACCORDANCE WITH THE TERMS AND CONDITIONS SET FORTH BELOW.

TERMS AND CONDITIONS

This warranty only applies when each Litetronics LED Product is properly installed and operated in a suitable fixture according to the parameters specified by Litetronics in lighting equipment designed and approved for the application in a suitable environment (temperature and humidity) within the specified operating range for the Product. This warranty is invalid when the Product is not used in accordance with Litetronics' specifications, or used in violation of any applicable standard, code, or instructions for use in installations, including installation instructions contained in the latest National Electrical Code (NEC), the Standards for Safety of Underwriters Laboratory, Inc. (UL), Standards for the American National Standards Institute (ANSI) or, in Canada, the Canadian Standards Association (CSA). This warranty will not apply in any of the events of: (1) Products returned in a condition demonstrating abnormal use or stress, including without limitation, under/over voltage, sprayed with water, exposed to weather or excessive heat. (2) the invoice is not paid in full according to the invoice terms; or (3) the returned Product has been used outside the recommended operating conditions; The recommended operating conditions for the Litetronics LED Product is for use in an application wherein the ambient operating temperature in location T(a) is between -4°F and 113°F. (Please reference T(a) in Examples A).

EXHIBIT A
LED Volumetric Troffer



WARRANTY ACTIVATION / SERVICE CLAIMS: Warranty claims must be serviced by calling Litetronics Customer Service:
1-800-860-3392
Fax: 708-371-0627
Email: Customerservice@litetronics.com

If you are unsure whether a situation exists that is covered by this warranty, please contact Litetronics's Customer Service & Sales Team for assistance.

RETURN OF DEFECTIVE PRODUCT:

After contacting Litetronics and receiving a return authorization number ("RMA"), the purchaser/user shall promptly return the product at the user's expense after receiving instructions regarding if, when, and where to ship the product. Failure to follow this procedure shall void this warranty. RMAs are only valid for 30 days, and the product must be returned within that timeframe.

REPLACEMENT OF PRODUCT, LIMITS OF LIABILITY:

THE FOREGOING SHALL CONSTITUTE THE EXCLUSIVE REMEDY OF THE PURCHASER AND THE SOLE EXCLUSIVE LIABILITY OF LITETRONICS FOR LITETRONICS LED PRODUCT. NO WARRANTY OF MERCHANTABILITY OR FITNESS FOR A PARTICULAR PURPOSE IS MADE OR IS TO BE IMPLIED. Litetronics will not, under any circumstances, whether as a result of breach of contract or warranty, tort, or otherwise, be liable for any incidental, special, or consequential damages, including loss of profits, revenues, or any other costs or damages. This warranty does not cover any labor costs.

Litetronics reserves the right to examine all failed Litetronics LED products to determine the cause of failure and patterns of usage and reserves the right to be the sole judge as to whether any of these components are defective and covered under this warranty.

LITETRONICS®

6969 W. 73rd Street, Bedford Park, IL 60638 | www.litetronics.com