

LED HIGH OUTPUT MAGNETIC RETROFIT

with Tri-Level "Switch" Dimming



Litetronics LED Magnetic Retrofit has proven to be an affordable, energy-efficient and easy-to-install solution for converting fluorescent troffers to LED. The latest edition to the Magnetic Retrofit family is our 2' x 4', 2-tube, High Output model.

To minimize installation costs, each unit is equipped with rare earth magnets at both ends, allowing the installer to magnetically attach the retrofit to the inside of the troffer, leaving them with two free hands for wiring and alignment before securing the final screws.

The Magnetic Retrofit generates up to 157 LPW of flicker free, consistent light, which results in a significant reduction in energy use compared to fluorescent fixtures and an improved overall look for your space. To further reduce energy use, this model is equipped with tri-level switch dimming, enabling the user to cycle through 3 distinct light levels using only the existing line voltage wiring and light switch. Upon turning on, the initial light level will be 100% but subsequent flips of the switch will reduce the level to 66% and then 33% and then OFF.

Another key benefit is a reduction in maintenance. This LED retrofit is rated for a 100,000-hour life (@L70), meaning that you'll see very little light loss over a long period of time, and to provide further peace of mind, it's backed by a 10-year warranty.

BENEFITS

- Ability to cycle through 3 light levels using existing line voltage and switch
- Significant reduction in energy use over fluorescent bulbs
- Consistent, flicker free light output
- Simple installation process
- Avoid breaking into ceiling plenum
- Suitable for damp locations
- Emergency battery backup available

KEY FEATURES

- DLC Premium (157 LPW)
- Rare earth magnets
- 100,000-hour rated life
- 10-year warranty
- Flicker free driver
- Switch controlled step-dimming
- DLC Premium rating (pending)

MARKETS

- Schools and universities
- Offices and municipal buildings
- Healthcare facilities and hospitals

APPLICATIONS

- Grid/drop ceilings
- Fluorescent troffers



SPECIFICATIONS

Average rated life: 100,000 hours @ L70

Warranty: 10 years

Operating temperature: -5°F to 95°F

Input voltage: 120-277V

Power factor: ≥0.9

CRI: 82

UL/cUL listed: Yes

RoHS compliant: Yes

DLC rating: Premium

ACCESSORIES

- Large junction box for wiring

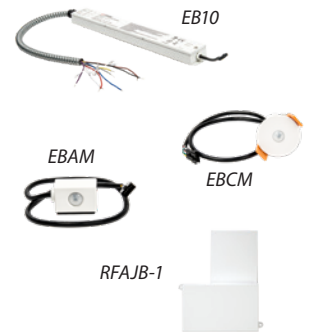
ORDERING INFORMATION

2' X 4' 2-TUBE

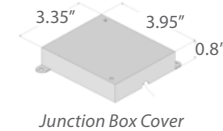
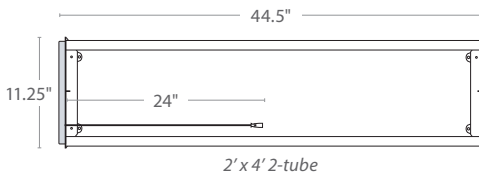
WATTS	DESCRIPTION	ORDERING CODE	CCT (K)	RETROFIT LUMENS
36, 24, 12	2X4 MAGNETIC RF LED 2 TUBES 36W MAX SWITCH DIMMING 4000K	RFM2T440EW	4000	5655, 3770, 1885

ACCESSORIES

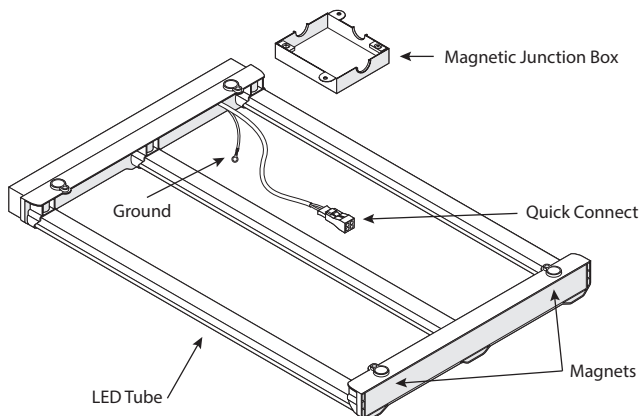
MODEL #	DESCRIPTION	USAGE
EB10	10W Emergency Battery Backup	Supplies battery backup to an individual fixture for up to 90 minutes. <u>Must be ordered with EBCM or EBAM indicator module.</u>
EBCM	Ceiling-mounted Indicator Module	In grid ceiling applications, this unit connects to the EB10 and is recess mounted in an adjacent panel where it displays the unit's current status of operation.
EBAM	Adhesive-mounted Indicator Module	In drywall/open ceiling applications, this unit connects to the EB10 and is mounted via adhesive, where it displays the unit's current status of operation.
RFAJBL-1	Large Retrofit Junction Box	Provides space for electrical wiring when needed



SIZING



PRODUCT OVERVIEW



INSTALLATION PROCESS

