

LED VOLUMETRIC RETROFIT

with Field-adjustable Light Output



Combining top-of-the-line efficiency with a stylish, modern design, the LED Volumetric Retrofit is an ideal solution for updating interior grid ceiling applications. It can accommodate all standard sizes of fluorescent troffers, including 2' x 4', 2' x 2' or 1' x 4', and its patented design makes installation simple and quick. The kit can be installed by one person in less than two minutes, without breaking into the ceiling plenum.

Our standard model is equipped with field-adjustable light output, enabling the lumen output and wattage to be set to one of five specific levels based on the needs of the user. This feature enables not only the customization of light output, but also puts a cap on the amount of energy being used.

The LED Volumetric Retrofit is listed as a DLC Premium product and delivers up to 125 lumens per watt (LPW) over the course of its 100,000-hour rated life. It ensures long-term energy savings over traditional fluorescent bulbs and ballasts, as well as eliminates routine maintenance, making it perfect for updating existing troffers. Furthermore, it's backed by an industry-leading 10-year warranty, guaranteeing peace of mind for the life of your fixture.

KEY FEATURES

- Field-adjustable light output
- 100,000-hour rated life
- 10-year warranty
- DLC Premium (125 LPW)
- Suitable for damp locations
- 0-10V Dimming
- Compatible with Emergency Battery Backup

MARKETS

- Schools and universities
- Offices and municipal buildings
- Healthcare facilities and hospitals

APPLICATIONS

- Drop/grid ceilings
- Fluorescent troffers



SPECIFICATIONS

Average rated life: 100,000 hours (@L70)
Warranty: 10 years
Operating temp: -4°F to 113°F (-20°C to 45°C)
Surge protection: ANSI C82.77 compliant
Input voltage: 120-277V
Input frequency: 50/60Hz
Power factor: ≥0.95
CRI: 80

Dimming: 0-10VDC ANSI C137.x compliant
 LED drive current
Location rating: Damp
ETL listed: Yes
RoHS compliant: Yes
DLC rating: Premium

MOUNTING

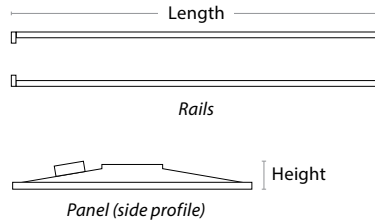
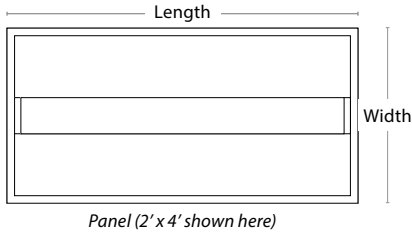
Standard: T-bar grid (drop ceilings) mounted fluorescent troffers

Wiring access: 1/2" trade size knockouts

ACCESSORIES

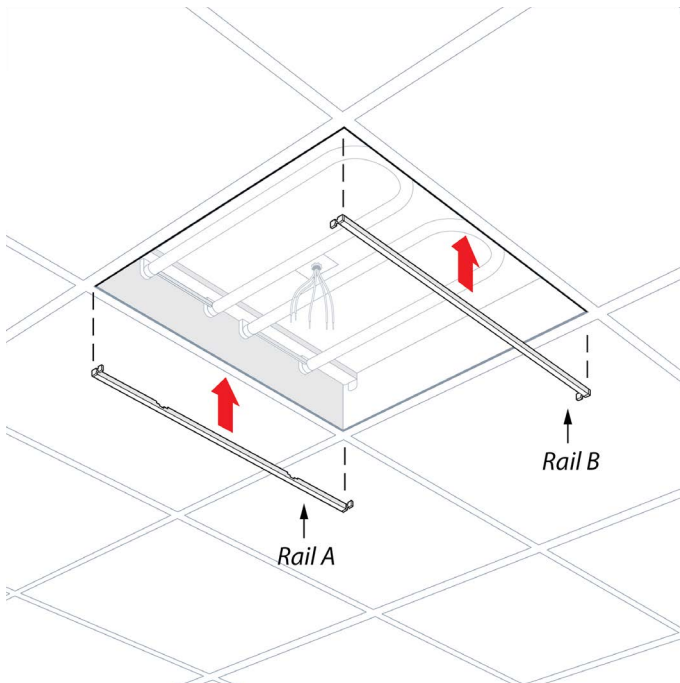
Emergency Battery Backup

DIMENSIONS

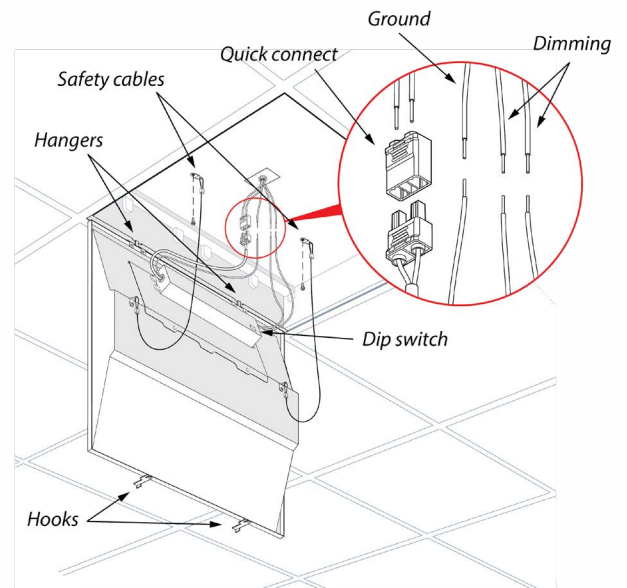


SIZE	LENGTH	WIDTH	HEIGHT	RAIL LENGTH
2' x 4'	45"	21"	2.875"	47"
2' x 2'	21"	21"	2.875"	23"
1' x 4'	45"	10.5"	2.875"	47"

PRODUCT OVERVIEW AND INSTALLATION



The mounting rails are inserted between the troffer and grid rail on opposite sides with the anti-rotational tabs pointed inward and notches facing up.



The panel hangers are inserted into the notches on the mounting rail, enabling the panel to hang freely while electrical connections are completed.

ORDERING INFORMATION

Listed below are the included wattage settings and lumens for each model number.

2' X 2'

ROOT MODEL #	DESCRIPTION		
VRT235	2X2 LED Volumetric Retrofit		
EXT. MODEL #	WATTAGE	CCT	LUMENS
VRT23518	18	3500	2,250
VRT23520	20	3500	2,500
VRT23525	25	3500	3,125
VRT23530	30	3500	3,750
VRT235	36	3500	4,500

ROOT MODEL #	DESCRIPTION		
VRT240	2X2 LED Volumetric Retrofit		
EXT. MODEL #	WATTAGE	CCT	LUMENS
VRT24018	18	4000	2,250
VRT24020	20	4000	2,500
VRT24025	25	4000	3,125
VRT24030	30	4000	3,750
VRT240	36	4000	4,500

ROOT MODEL #	DESCRIPTION		
VRT250	2X2 LED Volumetric Retrofit		
EXT. MODEL #	WATTAGE	CCT	LUMENS
VRT25018	18	5000	2,250
VRT25020	20	5000	2,500
VRT25025	25	5000	3,125
VRT25030	30	5000	3,750
VRT250	36	5000	4,500

2' X 4'

ROOT MODEL #	DESCRIPTION		
VRT435	2X4 LED Volumetric Retrofit		
EXT. MODEL #	WATTAGE	CCT	LUMENS
VRT43525	25	3500	3,125
VRT43530	30	3500	3,750
VRT43540	40	3500	5,000
VRT43545	45	3500	5,625
VRT435	50	3500	6,250

ROOT MODEL #	DESCRIPTION		
VRT440	2X4 LED Volumetric Retrofit		
EXT. MODEL #	WATTAGE	CCT	LUMENS
VRT44025	25	4000	3,125
VRT44030	30	4000	3,750
VRT44040	40	4000	5,000
VRT44045	45	4000	5,625
VRT440	50	4000	6,250

ROOT MODEL #	DESCRIPTION		
VRT450	2X4 LED Volumetric Retrofit		
EXT. MODEL #	WATTAGE	CCT	LUMENS
VRT45025	25	5000	3,125
VRT45030	30	5000	3,750
VRT45040	40	5000	5,000
VRT45045	45	5000	5,625
VRT450	50	5000	6,250

1' X 4'

ROOT MODEL #	DESCRIPTION		
VRT135	1X4 LED Volumetric Retrofit		
EXT. MODEL #	WATTAGE	CCT	LUMENS
VRT13518	18	3500	2,250
VRT13520	20	3500	2,500
VRT13525	25	3500	3,125
VRT13530	30	3500	3,750
VRT135	36	3500	4,500

ROOT MODEL #	DESCRIPTION		
VRT140	1X4 LED Volumetric Retrofit		
EXT. MODEL #	WATTAGE	CCT	LUMENS
VRT14018	18	4000	2,250
VRT14020	20	4000	2,500
VRT14025	25	4000	3,125
VRT14030	30	4000	3,750
VRT140	36	4000	4,500

ROOT MODEL #	DESCRIPTION		
VRT150	1X4 LED Volumetric Retrofit		
EXT. MODEL #	WATTAGE	CCT	LUMENS
VRT15018	18	5000	2,250
VRT15020	20	5000	2,500
VRT15025	25	5000	3,125
VRT15030	30	5000	3,750
VRT150	36	5000	4,500

Each extended model # is individually listed with DLC. The highest wattage is listed under the root model #.

ACCESSORIES

MODEL #	DESCRIPTION	USAGE
EB23UQB	Emergency Battery Backup unit with 18" conduit 23W 120-277V	Supplies 23 watts to an individual fixture in times of power outage. Emergency power lasts for up to 90 minutes.



Emergency Battery Backup (EB23UQB)