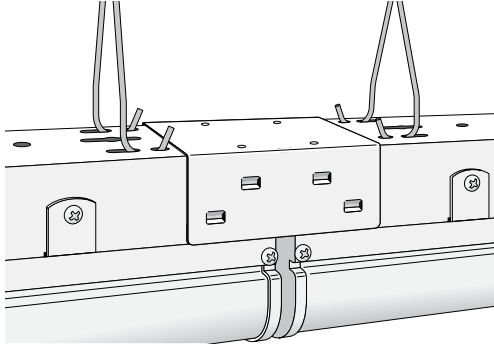


LITETRONICS®

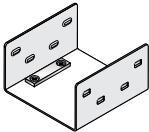
Strip Fixture Alignment Kit

Installation Instructions for
Aligning 4' and 8' Kit (SFAM08)



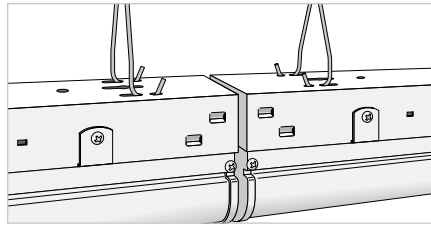
WHAT COMES IN THE BOX

Linear Strip Fixture Alignment Kit comes with the following standard parts:

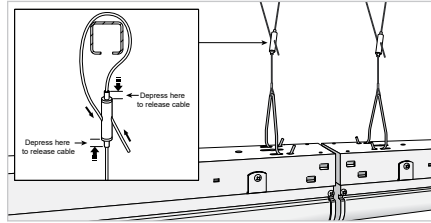


(1) Alignment Bracket

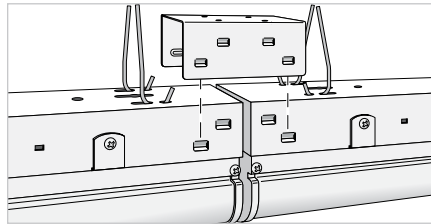
Before Installation, carefully remove all parts from the packaging.
Inspect product for defects due to shipping.
Refer to Strip Fixture Installation Instructions for reference.



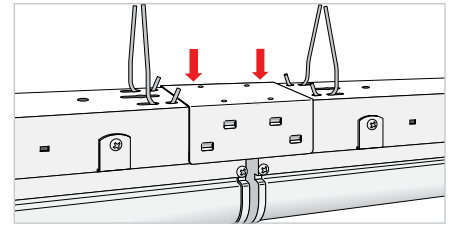
1. To easily align 4' and 8' Linear Strip Fixtures, place and adjust fixtures as close as possible.



2. Make any necessary adjustments to level and align fixtures.



3. Place Alignment Bracket over the two fixtures needing alignment.



4. Easily slide the magnetic Alignment Bracket until the tabs of the bracket and fixtures click into place.