

LED RetroFit

2'x2' & 2'x4'



Designed Specifically for Quick and Easy Installation.

LED RetroFit is the first fluorescent troffer retrofit that installs in as little as 3 minutes. Powerful rare Earth magnets allow LED RetroFit to attach magnetically allowing hands-free installation. Once installed, LED RetroFit saves up to 60% of energy and lasts for up to 20 years. Now in less than the time needed to change a ballast, you can convert your existing fixture into energy-saving LED. Help protect the environment and lower your operating costs for years to come.

Benefits

- Designed to preserve the optical output and aesthetics of your fixture
- Installs in minutes
- No need to break into the ceiling plenum
- Universal 120-277V driver
- 7-year warranty
- Shatterproof; safe for food service applications

Markets & Applications

- Hospitals
- Schools
- Offices
- Retail

LITETRONICS®

6969 W. 73rd St.
Bedford Park, IL 60638
www.Litetronics.com

LED RetroFit

2'x2' & 2'x4'

Technical Product Information

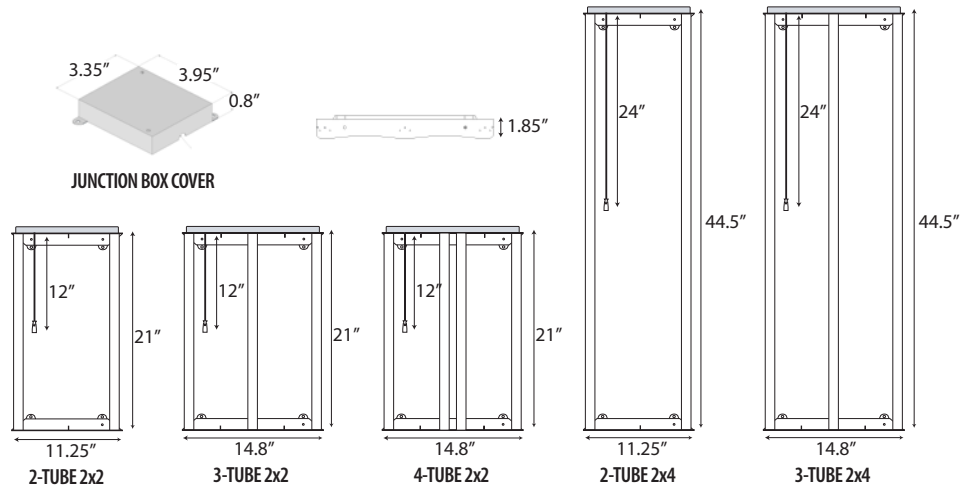
Line Frequency: 60Hz

CRI: 83

Power Factor: ≥ 0.95

Operating Temp: -5° to 95°F

Available by Special Order: 3000K



Part Number Matrix

| XX (product family) | XX (wattage) | X (voltage) | X (connector) | XX (shape) | XX (color temperature) |
|---------------------|--|--------------|------------------|--|--|
| RF - LED Retrofit | 22 - 22 watts 32 - 32 watts 50 - 50 watts 52 - 52 watts | U - 120-277V | Q - QuickConnect | T2 - 2'x2' Troffer T4 - 2'x4' Troffer | 35 - 3500K 40 - 4000K 50 - 5000K |

Product Specifications

| TYPE | WATTS | VOLTS | DESCRIPTION | ORDERING CODE | AVERAGE RATED LIFE | CCT (K) | RETROFIT LUMENS | LUMINAIRE LUMENS** | DLC LISTED |
|-------------|-------|---------|---------------------------|---------------|--------------------|---------|-----------------|--------------------|------------|
| 2-TUBE 2X2 | 22 | 120-277 | 22W 2-2X2 LED RF QC 3500K | RF22UQT235 | 85,000 | 3500 | 2,975 | 2,375 | YES |
| | | | 22W 2-2X2 LED RF QC 4000K | RF22UQT240 | | 4000 | | | |
| | | | 22W 2-2X2 LED RF QC 5000K | RF22UQT250 | | 5000 | | | |
| 3-TUBE 2X2 | 32 | 120-277 | 32W 3-2X2 LED RF QC 3500K | RF32UQT235 | 85,000 | 3500 | 4,300 | 3,450 | YES |
| | | | 32W 3-2X2 LED RF QC 4000K | RF32UQT240 | | 4000 | | | |
| | | | 32W 3-2X2 LED RF QC 5000K | RF32UQT250 | | 5000 | | | |
| 4-TUBE 2X2 | 52 | 120-277 | 52W 4-2X2 LED RF QC 3500K | RF52UQT235 | 60,000 | 3500 | 7,000 | 5,600 | YES |
| | | | 52W 4-2X2 LED RF QC 4000K | RF52UQT240 | | 4000 | | | |
| | | | 52W 4-2X2 LED RF QC 5000K | RF52UQT250 | | 5000 | | | |
| 2-TUBE, 2X4 | 32 | 120-277 | 32W 2-2X4 LED RF QC 3500K | RF32UQT435 | 85,000 | 3500 | 4,150 | 3,450 | YES |
| | | | 32W 2-2X4 LED RF QC 4000K | RF32UQT440 | | 4000 | | | |
| | | | 32W 2-2X4 LED RF QC 5000K | RF32UQT450 | | 5000 | | | |
| 3-TUBE, 2X4 | 50 | 120-277 | 50W 3-2X4 LED RF QC 3500K | RF50UQT435 | 85,000 | 3500 | 6,500 | 5,400 | YES |
| | | | 50W 3-2X4 LED RF QC 4000K | RF50UQT440 | | 4000 | | | |
| | | | 50W 3-2X4 LED RF QC 5000K | RF50UQT450 | | 5000 | | | |

What's included in the box with LED RetroFit:

Magnetic Junction Box • Luminaire Disconnect Male • 4 Self-tapping Screws • 2 Labels • Installation Instructions

* 85,000 and 60,000 hours based on 35°C ambient room temperature

** Based on Photometric testing consistent with IES LM-79 testing; Lumens will vary based on diffuser and fixture

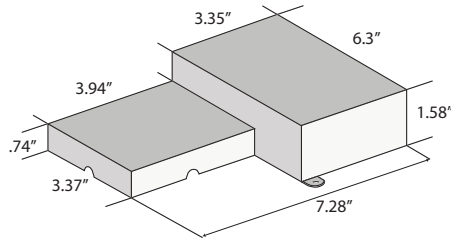
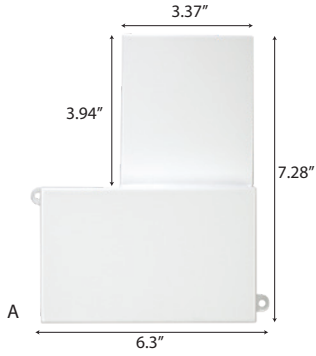


Pat. 8,960,951 B1

LITETRONICS[®]

LED Retrofit

2'x2' & 2'x4' Accessories



LARGE RETROFIT JUNCTION BOX

| IMAGE | DESCRIPTION | ORDERING CODE | QTY/CASE | ACCESSORY USE | USED WITH LED RETROFIT SERIES |
|-------|-----------------------------|---------------|----------|--|--|
| A | LARGE RETROFIT JUNCTION BOX | RFAJBL | 10 | PROVIDES EXTRA SPACE FOR ELECTRICAL WIRING WHEN NEEDED | RF22UQT2(XX) RF32UQT(XXX) RF50UQT4(XX) RF52UQT2(XX) |

