

LED TRI-LEVEL SWITCH DIMMING MAGNETIC RETROFIT



Litetronics has simplified the process of converting fluorescent troffers to LED and at the same time provide step-dimming functionality without the need for additional wires or dimmer switches. Our Tri-Level “Switch” Dimmable 2x4 Magnetic Retrofits allow the user to cycle through 3 distinct light levels using only the existing line voltage wiring and light switch. Upon turning on, the initial light level will be 100% but subsequent flips of the switch will reduce the level to 66% and then 33% and then OFF.

To minimize installation costs, each unit is equipped with rare earth magnets at both ends, allowing the installer to magnetically attach the retrofit to the inside of the troffer, leaving them with two free hands for wiring and alignment before securing the final screws.

The Magnetic Retrofit generates up to 157 LPW of flicker free, consistent light, which results in a significant reduction in energy use compared to fluorescent fixtures and an improved overall look for your space. Another key benefit is a reduction in maintenance. This LED retrofit is rated for a 100,000-hour life (@L70), meaning that you'll see very little light loss over a long period of time, and to provide further peace of mind, it's backed by a 10-year warranty.

BENEFITS

- Ability to cycle through 3 light levels using existing line voltage and switch
- Significant reduction in energy use over fluorescent bulbs
- Consistent, flicker free light output
- Simple installation process
- Avoid breaking into ceiling plenum
- Suitable for damp locations
- Compatible with Emergency Battery Backup

KEY FEATURES

- DLC Premium (157 LPW)
- Rare earth magnets
- 100,000-hour rated life
- 10-year warranty
- Flicker free driver
- Switch controlled step-dimming
- DLC Premium rating (pending)

MARKETS

- Schools and universities
- Offices and municipal buildings
- Healthcare facilities and hospitals

APPLICATIONS

- Grid/drop ceilings
- Fluorescent troffers



SPECIFICATIONS

Average rated life: 100,000 hours @ L70

Warranty: 10 years

Operating temperature: -5°F to 95°F

Input voltage: 120-277V

Power factor: ≥0.9

CRI: 82

UL/cUL listed: Yes

RoHS compliant: Yes

DLC rating: Premium

ACCESSORIES

- Large junction box for wiring
- Emergency Battery Backup

ORDERING INFORMATION

2' X 4' 3-TUBE

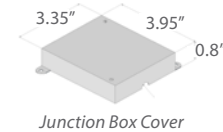
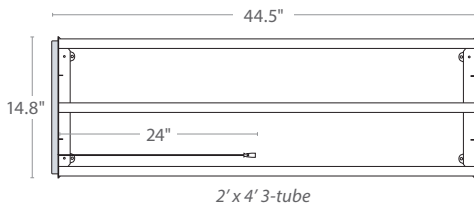
WATTS	DESCRIPTION	ORDERING CODE	CCT (K)	RETROFIT LUMENS
35, 23, 12	2X4 MAGNETIC RF LED 3 TUBES 35W MAX SWITCH DIMMING 3500K	RFM3T435DW	3500	5495, 3615, 1885
35, 23, 12	2X4 MAGNETIC RF LED 3 TUBES 35W MAX SWITCH DIMMING 4000K	RFM3T440DW	4000	5495, 3615, 1885
35, 23, 12	2X4 MAGNETIC RF LED 3 TUBES 35W MAX SWITCH DIMMING 5000K	RFM3T450DW	5000	5495, 3615, 1885

2' X 4' ACCESSORIES

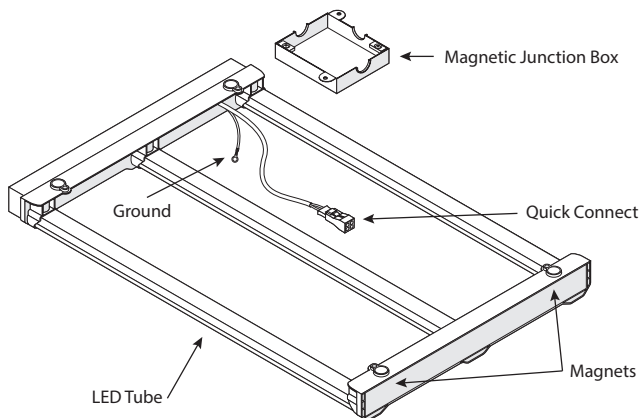
DESCRIPTION	ORDERING CODE	ACCESSORY USE
Large retrofit junction box	RFAJBL-1	Provides space for electrical wiring when needed



SIZING



PRODUCT OVERVIEW



INSTALLATION PROCESS

