

LED MAGNETIC RETROFIT

for 1' x 4' fluorescent strip fixtures and wraps



Litetronics has simplified the process of converting fluorescent strip fixtures to LED. The 1' x 4' LED Magnetic Retrofit is perfectly suited for upgrading single 4' fixtures, 8' fixtures or continuous row mounting. Both the 1-tube and 2-tube configurations are connectable, offering the ability to daisy chain multiple fixtures in order to cover more ground from one power source. To further support the installation process, each unit is equipped with rare earth magnets at both ends, allowing the installer to magnetically attach the retrofit to the inside of the fixture, leaving them with two free hands for wiring and alignment before securing the final screws.

Each tube configuration generates up to 157 LPW of flicker free, consistent light, which results in a significant reduction in energy use compared to fluorescent fixtures. This LED retrofit is rated for a 100,000-hour life (@L70), meaning that you'll see very little degradation over a long period of time.

BENEFITS

- Significant reduction in energy use over fluorescent bulbs
- Consistent, flicker free light output over the life of the lamp
- Simple installation process
- Ability to daisy chain for continuous row mounting
- Suitable for damp locations
- Compatible with Emergency Battery Backup

KEY FEATURES

- Up to 157 LPW
- Rare earth magnets
- 100,000-hour rated life
- 10-year warranty
- Flicker free driver
- 0-10V dimming (select models)
- Connectability options (direct or via various length cords)

MARKETS

- Schools and universities
- Offices and municipal buildings
- Healthcare facilities and hospitals

APPLICATIONS

- Grid/drop ceilings
- Fluorescent troffers
- Strip fixtures
- Fluorescent wraps



LED MAGNETIC RETROFIT ORDERING INFORMATION

NON-DIMMABLE

WATTS	DESCRIPTION	ORDERING CODE	CCT (K)	RETROFIT LUMENS*	LUMINAIRE LUMENS**
26	1X4 MAGNETIC RF LED 2 TUBES 26W 3500K	RFM262T135	3500	4,080	3,250
26	1X4 MAGNETIC RF LED 2 TUBES 26W 4000K	RFM262T140	4000	4,080	3,250
26	1X4 MAGNETIC RF LED 2 TUBES 26W 5000K	RFM262T150	5000	4,080	3,250
13	1X4 MAGNETIC RF LED 1 TUBE 13W 4000K	RFM131T140	4000	2,040	1,625

DIMMABLE

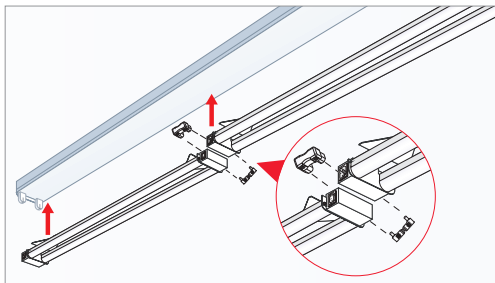
WATTS	DESCRIPTION	ORDERING CODE	CCT (K)	RETROFIT LUMENS*	LUMINAIRE LUMENS**
26	1X4 MAGNETIC RF LED 2 TUBES 26W 4000K DIM	RFM262T140DL	4000	4,080	3,250
26	1X4 MAGNETIC RF LED 2 TUBES 26W 5000K DIM	RFM262T150DL	5000	4,080	3,250
13	1X4 MAGNETIC RF LED 1 TUBE 13W 4000K DIM	RFM131T140DL	4000	2,040	1,625

ACCESSORIES

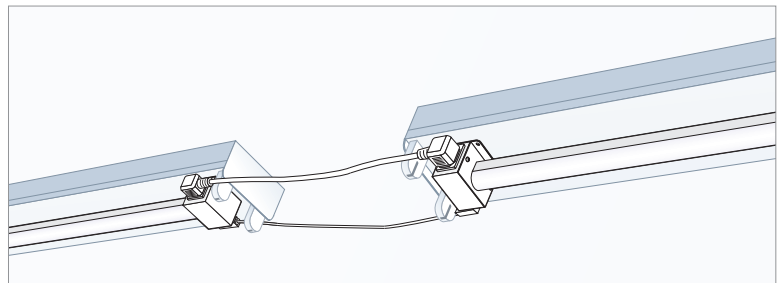


CONTINUOUS MOUNTING ACCESSORIES

IMAGE	DESCRIPTION	ORDERING CODE	ACCESSORY USE
A	4'- RETROFIT LAMP TO LAMP EXTENSION-WHITE	RFAC-4FT	Power cable for Retrofits up to 4' apart.
B	8"- RETROFIT LAMP TO LAMP EXTENSION-WHITE	RFAC-8IN	Power cable for Retrofits up to 8" apart
C	RETROFIT DUAL CONNECTOR - WHITE	RFAC	Molded power jumper connects Retrofits end-to-end
D	RETROFIT 0-10V CONNECTING SERIES - WHITE	RFALVC	0-10V dimmer jumper connects Retrofits end-to-end
E	4'- RETROFIT 0-10V CONNECTING SERIES - WHITE	RFALVC-4FT	0-10v dimmer cable for Retrofits up to 4' apart
F	8"- RETROFIT 0-10V CONNECTING SERIES - WHITE	RFALVC-8IN	0-10v dimmer cable for Retrofits up to 8" apart



Retrofit power (C) and dimming (D) connectors shown in operation



8" Retrofit power (B) and dimming (F) connectors shown in operation

* Linear ambient lumens

** Based on Photometric testing consistent with IES LM-79 testing; Lumens will vary based on diffuser and fixture.

SPECIFICATIONS

Average rated life: 100,000 hours @ L70

Warranty: 10 years

Operating temperature: -5°F to 95°F

Input voltage: 120-277V

Power factor: ≥ 0.9

CRI: 82

UL/cUL listed: Yes

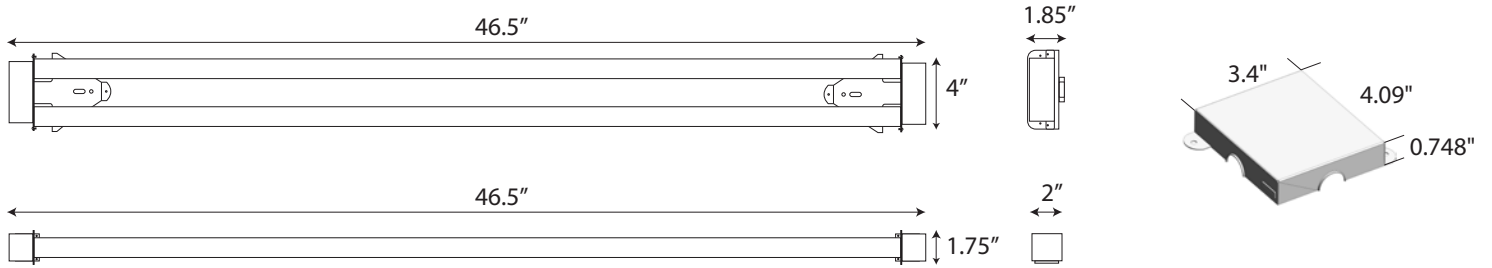
RoHS compliant: Yes

DLC rating: Premium (select models)

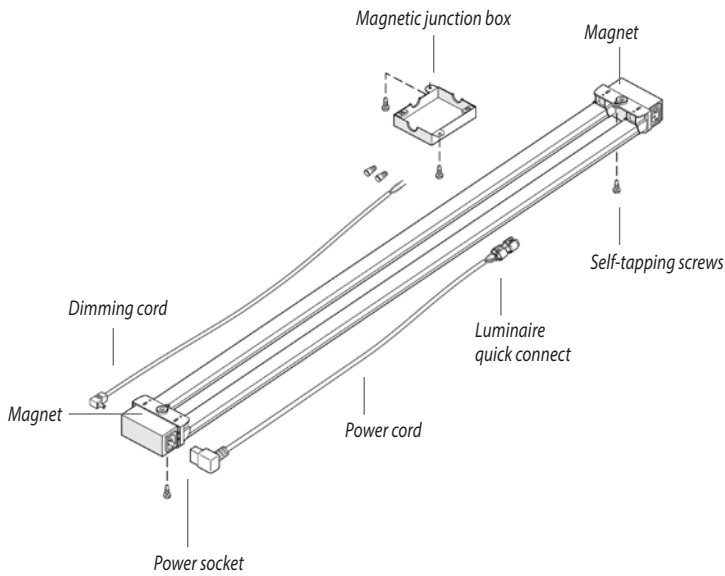
ACCESSORIES

- Power and dimming connectors for continuous row mounting
- Emergency Battery Backup

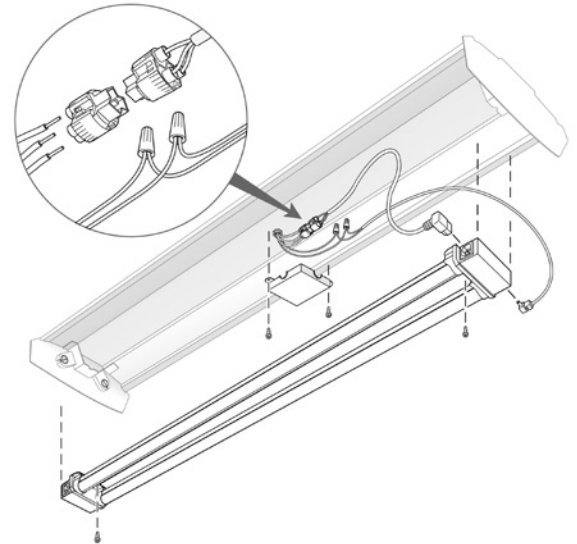
SIZING



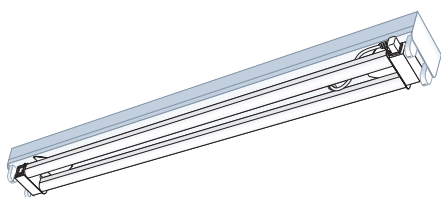
PRODUCT OVERVIEW



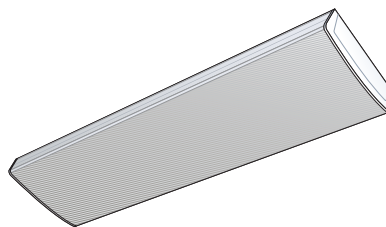
INSTALLATION PROCESS



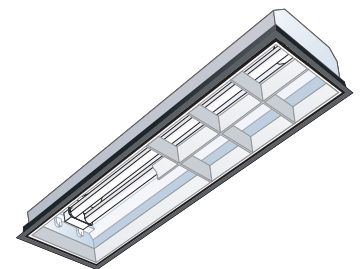
PRODUCT MOUNTING OPTIONS



4' or 8' Strip Fixture



Wrap Fixtures



Troffer Fixtures