

LITETRONICS®

LED High Voltage NSF High Bay Installation Instructions

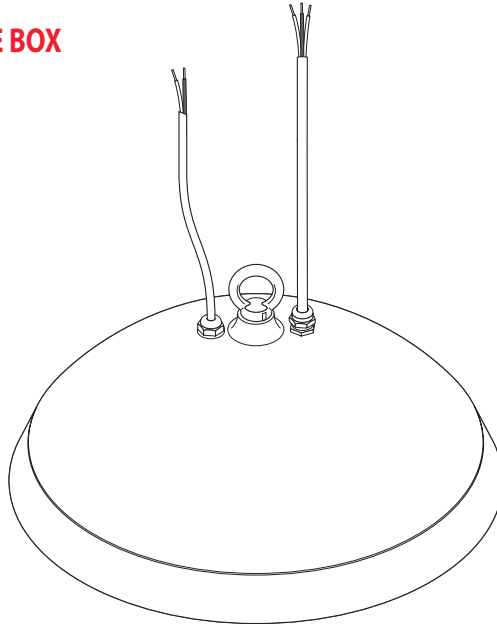
Ordering Code: HBF Series

WHAT COMES IN THE BOX

Built in 0-10V Dim wires (1')
Round hook
Built in input wire (8')
Two waterproof wire nuts
Installation instructions
Safety cable

TOOLS NEEDED

Wire Stripper
Wire Cutter



SAFETY INSTRUCTIONS AND WARNINGS

WHEN USING ELECTRICAL EQUIPMENT, BASIC SAFETY PRECAUTIONS SHOULD ALWAYS BE OBSERVED INCLUDING THE FOLLOWING:

READ AND FOLLOW ALL SAFETY INSTRUCTIONS.

- Consult a qualified electrician to ensure correct branch circuit conductor.
- Consulter un électricien qualifié pour vous assurer que les conducteurs de la dérivation sont adéquats.
- This product must be installed in accordance with the applicable installation code by a person familiar with the construction and operation of the product and the hazards involved.
- Ce produit doit être installé selon le code d'installation pertinent, par une personne qui connaît bien le produit et son fonctionnement ainsi que les risques inhérents.
- Installation should only be conducted by a qualified electrician in accordance with NEC and any relevant local building codes.
- Risk of fire or electric shock. NSF High Bay installation requires knowledge of luminaire electrical systems. If not qualified, do not attempt installation. Contact a qualified electrician.
- Be certain electrical power is OFF before and during installation and maintenance.
- NSF High Bays must be connected to a wiring system with an equipment-grounding conductor.
- Make sure the supply voltage is the same as the rated NSF High Bays voltage.
- To prevent wiring damage or abrasion, do not expose wiring to edges of sheet metal or sharp objects.
- No user serviceable parts inside of NSF High Bay Luminaire.
- Secure heat sink with safety cable.

SAVE THESE INSTRUCTIONS

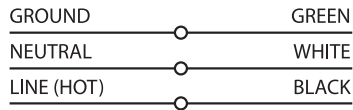
INSTALLATION PROCEDURE

Using 3 strip wires with or without 0-10V dimmer

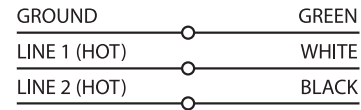
READ ALL INSTRUCTION BEFORE BEGINNING INSTALLATION

1. Turn off power at the circuit breaker.
2. NSF High Bay Luminaire should be mechanically supported to hook, chain or cable (not included) by securing to round hook (included) on top of fixture. Attach included safety cable as shown in image 1.
3. When installing without dimmer (0-10V) in wet locations, ensure that white/gray and blue/purple wires are each covered with a waterproof nut (supplied). When installing in dry locations, ensure white/gray and blue/purple wires are not crossed.
4. When installing dimmer (0-10V), connect 0-10V dimmer wires to dimmer control with dim (+) blue/purple and dim (-) white/gray from NSF High Bay luminaire with waterproof nuts (supplied). Follow fig. 1 below to connect 0-10V dimmer and 277-480V power. Follow dimmer control manufacturer instructions for more details.
5. Connect wire cord to AC branch circuit as noted below. It should be in accordance with national and local codes.

277V



480V



6. Restore power at circuit breaker and subsequently switch on dimmer (if applicable).

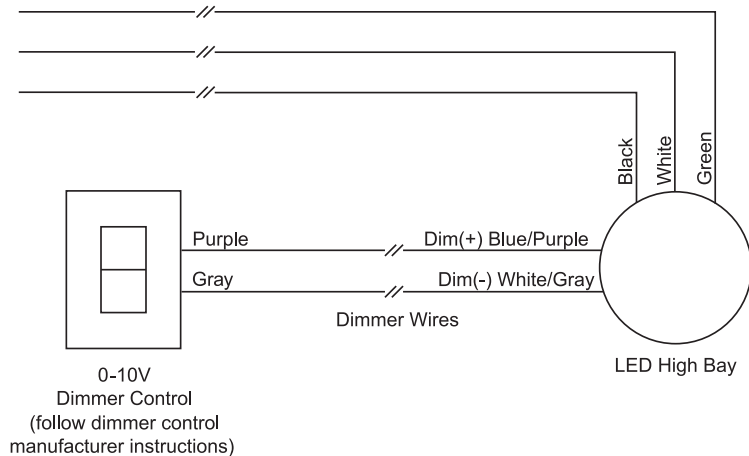


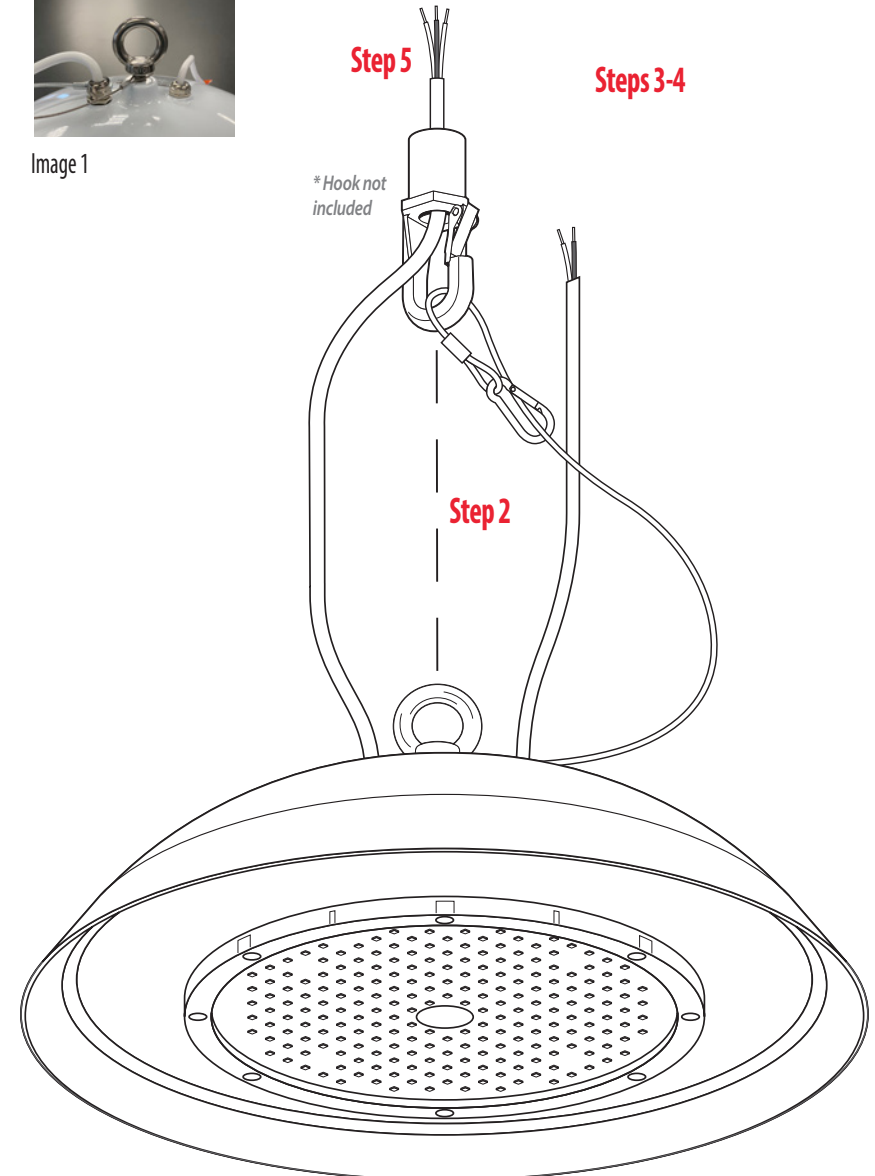
fig. 1

INSTALLATION PROCEDURE

Using 3 strip wires with or without 0-10V dimmer



Image 1



Thank you for choosing

LITETRONICS®

6969 W. 73rd Street
Bedford Park, IL 60638

WWW.LITETRONICS.COM

CustomerService@Litetronics.com or 1-800-860-3392



The information and product specifications contained in these instructions are based upon data believed to be accurate at the time of printing. This information is subject to change without notice and without incurring liability. If you have questions regarding specific product details, please contact us at 800-860-3392 or via email at customerservice@litetronics.com.

To check for an updated version of these instructions, please visit www.litetronics.com.