

# NEOLITE™

## Miniature CFLs



### Smaller. Brighter. More Efficient.

LITERONICS' Neolite™ Mini CFLs are now even better! An improved design allows an even shorter length and higher light output than before, meaning an overall more-efficient bulb. In fact, Neolite's new lumen outputs now make it possible to save up to 78% energy versus comparable incandescent bulbs. They still have low mercury, fast warm-up, and last 13 times as long as incandescent bulbs. Think smaller, think brighter – think Neolite Mini CFLs.

### Benefits

- Improved efficiency - up to 73 lumens-per-watt
- Up to 78% energy savings (compared to incandescent)
- Reduced Length - up to 8% smaller
- Energy Star Qualified (2700K)
- Low-Mercury
- Fast Warm-Up
- 10,000 hour life – 13 times as long as incandescent
- 1-year warranty

### Markets & Applications

- Restaurants
- Hospitality
- Retail
- Ceiling fixtures
- Floor lamps
- General lighting
- Recessed can lighting
- Table lamps
- Wall Sconces

### Comparison Chart

INCANDESCENT	=	NEOLITE™
40-watt	=	10-watt
60-watt	=	13-watt
75-watt	=	20-watt
100-watt	=	23-watt

# LITETRONICS®

4101 West 123rd Street  
Alsip, Illinois 60803  
[www.Litetronics.com](http://www.Litetronics.com)

## Technical Product Information

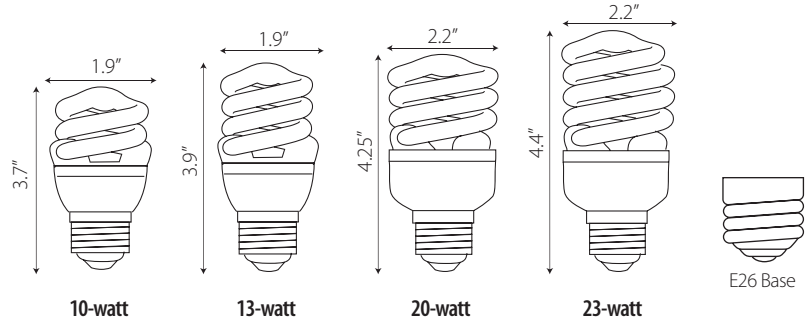
**Rated Life:** 10,000 H

**Volts:** 120V

**Line Frequency:** 60Hz

**Reliable Operating Temperatures:** 0° to 130°F

**Power Factor:** ≥0.5



WATTS	DESCRIPTION	ORDERING CODE	CASE QUANTITY	CCT (K)	CRI	LUMENS	EFFICACY (LUMENS-PER-WATT)
10	10W T2 MED 120V 2700K 10,000H	NL-10527	30	2700	80	700	70
10	10W T2 MED 120V 4100K 10,000H	NL-10541	30	4100	80	700	70
10	10W T2 MED 120V 5000K 10,000H	NL-10550	30	5000	80	700	70
13	13W T2 MED 120V 2700K 10,000H	NL-13527	30	2700	80	950	73
13	13W T2 MED 120V 4100K 10,000H	NL-13541	30	4100	80	950	73
13	13W T2 MED 120V 5000K 10,000H	NL-13550	30	5000	80	950	73
20	20W T2 MED 120V 2700K 10,000H	NL-20527	30	2700	80	1,400	70
20	20W T2 MED 120V 4100K 10,000H	NL-20541	30	4100	80	1,400	70
20	20W T2 MED 120V 5000K 10,000H	NL-20550	30	5000	80	1,400	70
23	23W T2 MED 120V 2700K 10,000H	NL-23527	30	2700	80	1,675	72
23	23W T2 MED 120V 4100K 10,000H	NL-23541	30	4100	80	1,675	72
23	23W T2 MED 120V 5000K 10,000H	NL-23550	30	5000	80	1,675	72

Not for use with dimmers or in totally enclosed fixtures.

Energy Star Qualified

