

LED PAR

PROFESSIONAL SERIES

PAR20, PAR30, PAR30LN & PAR38



Cutting Edge Technology, Classic Ambiance.

LED PAR PROFESSIONAL SERIES manages the heat of the lamp to increase reliability and light output. They also feature the latest LED chip-on-board (COB) technology which results in consistent color, and a centrally-located light source that looks like halogen. In conjunction with our optimally-designed optics lens, they provide comfortable, glare-free lighting. LITETRONICS dimming system ensures flicker-free dimming on a wide variety of dimmers. Since LED lighting needs to operate efficiently as well as look great, LED PAR PROFESSIONAL SERIES is designed to replace up to a 90-watt halogen, while saving 82% in energy costs. LITETRONICS LED PAR PROFESSIONAL SERIES: cuttingedge lighting with classic appeal.

Benefits

- LED PAR PROFESSIONAL SERIES manages the heat of the lamp to increase reliability and light output
- Chip-on-board (COB) technology
- Dimmable
- 25,000-hour life
- Up to 82% energy savings compared to halogen
- Lightweight; won't weigh down fixtures
- 3-year warranty

Markets & Applications

- Cinema
- Restaurants
- Hospitality
- Retail
- Dimmable Fixtures
- Track Lighting
- Recessed Cans

Comparison Chart

LED	=	HALOGEN
7-watt	=	35 watts
12-watts	=	55-watts
15-watts	=	75-watts
17-watts	=	90-watts

LITETRONICS®

235 East 171st Street
Harvey, IL 60426

www.Litetronics.com

LED PAR

PROFESSIONAL SERIES

PAR20, PAR30, PAR30LN & PAR38

Technical Product Information

Voltage: 120V

Average Rated Life: 25,000H*

Line Frequency: 60Hz

CRI: 83

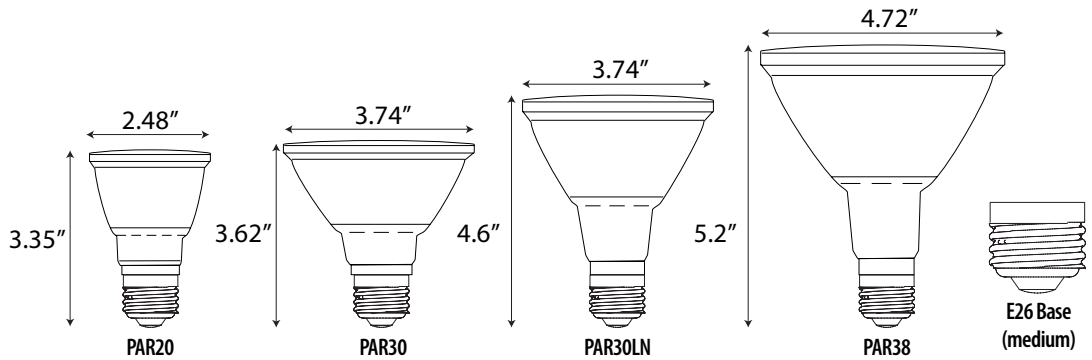
Power Factor: ≥0.9

Operating Temp: -5° to 110°F

Base: Medium

Case Quantity: 6

Dimmable: Yes



Compatible Dimmers

Available online at: Litetronics.com/dimmers

Product Specifications

SHAPE	WATTS	DESCRIPTION	ORDERING CODE	CCT (K)	LED PAR LUMENS	BEAM SPREAD	BEAM ANGLE
PAR20	7	7W PAR20 MED 120V FL 2700K 25,000H DIM	LP07560FL2D	2700	470	FLOOD	40
	7	7W PAR20 MED 120V FL 3000K 25,000H DIM	LP07560FL4D	3000	470	FLOOD	40
	7	7W PAR20 MED 120V WF 3000K 25,000H DIM	LP07560WF4D	3000	470	WIDE FLOOD	60
	7	7W PAR20 MED 120V FL 4000K 25,000H DIM	LP07560FL6D	4000	500	FLOOD	40
PAR30	12	12W PAR30 MED 120V FL 3000K 25,000H DIM	LP12562FL4D	2700	850	FLOOD	40
PAR30LN	12	12W PAR30LN MED 120V FL 2700K 25,000H DIM	LP12564FL2D	2700	850	FLOOD	40
	12	12W PAR30LN MED 120V FL 3000K 25,000H DIM	LP12564FL4D	3000	850	FLOOD	40
PAR38	15	15W PAR38 MED 120V FL 4000K 25,000H DIM	LP15566FL6D-1	4000	1124	FLOOD	40
	15	15W PAR38 MED 120V WF 2700K 25,000H DIM	LP15566WF2D-1	2700	1050	WIDE FLOOD	60
	15	15W PAR38 MED 120V FL 3000K 25,000H DIM	LP15566FL4D-1	3000	1050	FLOOD	40
	17	17W PAR38 MED 120V FL 3000K 25,000H DIM WL	LP17566FL4D-W	2700	1300	FLOOD	40

