

LED *Omni* PROFESSIONAL SERIES

A19



Savings and Reliability, In Every Direction.

LITETRONICS LED Omni Professional Series A19 light bulbs replace 40-60 watt incandescent bulbs with 80% energy savings. As an omni-directional bulb, they produce, even, comfortable light output in all directions. LED Omni Professional Series optimal light distribution pattern is perfect for table lamps, chandeliers, sconces, and other applications where proper lighting is critical. Their sleek design resembles incandescent, without bulky heatsinks or unsightly fins. LED Omni Professional Series undergoes LITETRONICS' rigorous dimming test, resulting in flicker-free dimming and wide dimmer compatibility. To save on incandescent lighting without sacrificing ambiance or dimmability, LITETRONICS LED Omni Professional Series shines savings in all directions.

Benefits

- Dimmable
- 25,000 hour life
- Up to 80% energy savings compared to incandescent
- 305° beam angle
- Instant on, instant bright
- RoHS compliant
- 5-year warranty
- Suitable for damp locations

Comparison Chart

LED	=	INCANDESCENT
7-watt	=	40-watt
10-watt	=	60-watt

Markets & Applications

- Restaurants
- Hospitality
- Retail
- Cinemas
- General Lighting
- Wall Sconces
- Table and Floor Lamps
- Dimmable Fixtures

LITETRONICS®

6969 W. 73rd St.
Bedford Park, IL 60638
www.Litetronics.com

LED Omni

PROFESSIONAL SERIES

A19

Technical Product Information

Voltage: 120V

Average Rated Life: 25,000H*

Line Frequency: 60Hz

CRI: 83

Power Factor: ≥ 0.9

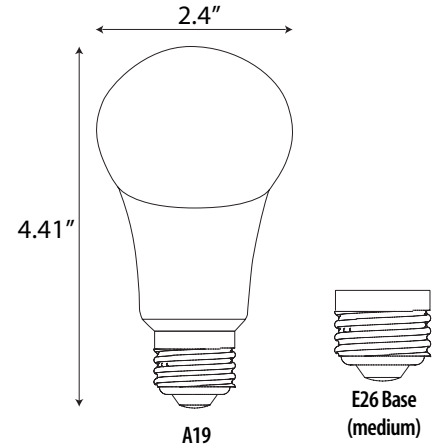
Beam Angle: 305°

Operating Temp: -5° to 110°F

Base: Medium

Case Quantity: 10

Dimmable: Yes



Compatible Dimmers

Available online at: <https://www.litetronics.com/webfoo/wp-content/uploads/LITETRONICS-DimmerCompatibilityList.pdf>

Product Specifications

SHAPE	WATTS	DESCRIPTION	ORDERING CODE	CCT (K)	LED OMNI LUMENS
A19	7	7W A19 MED 120V WH 2700K 25,000H DIM	LM07518WH2D-1	2700	470
	10	10W A19 MED 120V WH 2700K 25,000H DIM	LM10518WH2D	2700	800

